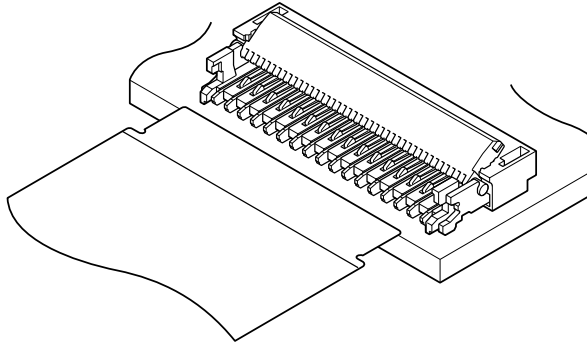




FVXS CONNECTOR



0.2mm pitch/Connectors for FPC



0.2 mm pitch FVXS connector for FPC has been developed for small portable equipment for which low profile and miniaturization are required. Positioning of FPC is easily conducted by inserting FPC into connector until its shoulder touches to the transverse U-shape groove. This connector also has the structure that tension due to handling of FPC is absorbed by socket and reinforcing tab.

Specifications

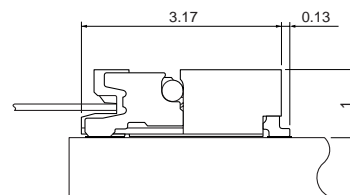
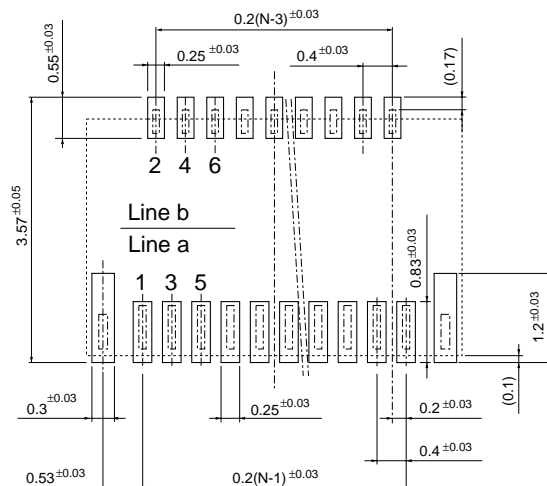
- Current rating: 0.2 A AC, DC
- Voltage rating: 50 V AC, DC
- Temperature range: -25°C to +85°C
(including temperature rise in applying electrical current)
- Contact resistance: Initial value/ 60 mΩ max.
After environmental tests/ 60 mΩ max.
(variation from initial value)
- Insulation resistance: 50 MΩ min.
- Withstanding voltage: 200 VAC/minute
- Applicable FPC: Conductor pitch/ 0.2 mm
<0.4 mm pitch staggered>
Conductor width/ 0.2 mm
Mating part thickness/ 0.2 ± 0.03 mm

- * Refer to "General Instruction and Notice when using Terminals and Connectors" at the end of this catalog.
- * Contact JST for details.
- * Compliant with RoHS.

Standards

- Ⓡ Recognized E 60389
- Ⓢ Certified LR 20812

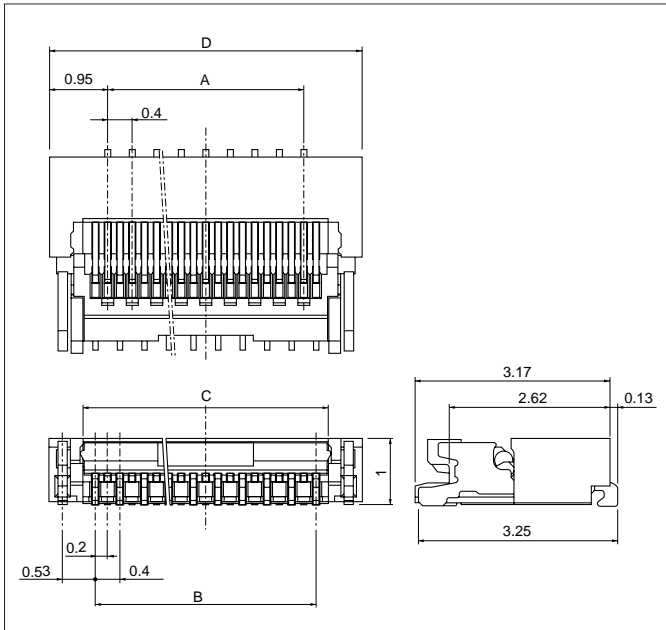
PC board layout and Assembly layout



Note: N --- Number of circuits

FVXS CONNECTOR

Connector



Circuits	Model No.	Dimensions (mm)				Q'ty/ reel
		A	B	C	D	
39	39FVXS-RSM1-GAN-TF	7.2	7.6	8.0	9.1	5,000
51	51FVXS-RSM1-GAN-TF	9.6	10.0	10.4	11.5	5,000
61	61FVXS-RSM1-GAN-TF	11.6	12.0	12.4	13.5	5,000

Material and Finish

Socket housing: Heat resisting resin, UL94V-0

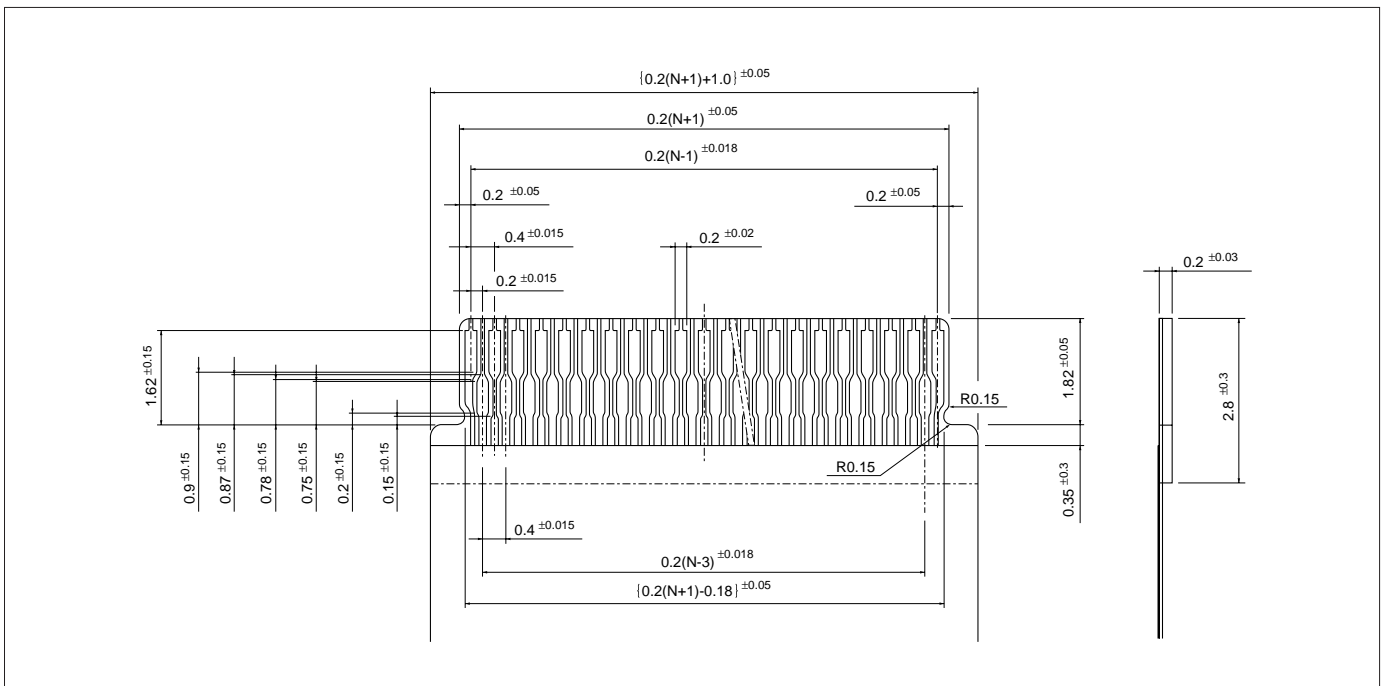
Cover housing: Heat resisting resin, UL94V-0

Contact: Copper alloy, nickel-undercoated, gold-plated (nickel-stripe)

Solder tab: Copper alloy, copper-undercoated, tin-plated (reflow treatment)

RoHS compliance This product displays (LF)(SN)(1) on a label.

Lead section dimensions of FPC



Note: N --- Number of circuits