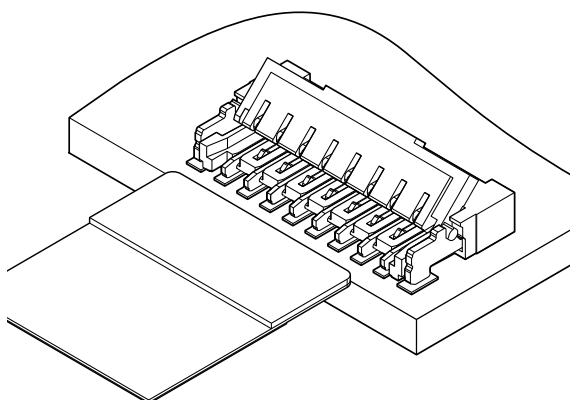


FXVL CONNECTOR

0.3 mm pitch / Connectors for FPC



This FXVL connector is a space saving and low profile connector for FPC demanded from the market, and realizes 0.3 mm pitch connector with a mounting height of 0.9 mm and depth of 2.68 mm.

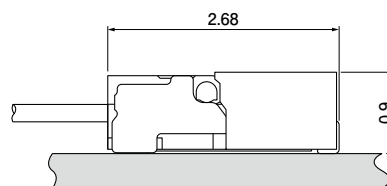
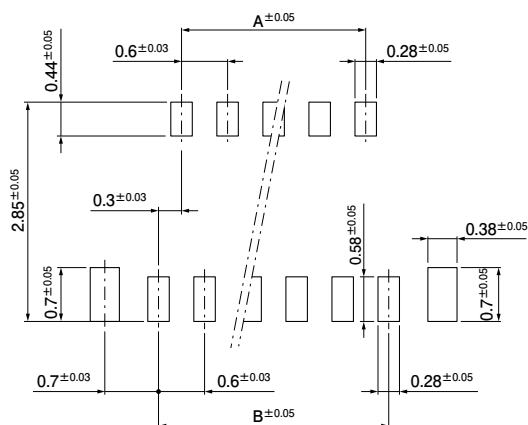
In 0.3 mm pitch FPC connector, the smallest product in mounting area on the board has been provided.

- Double ZIF construction provides easy insertion operation of FPC
- By adopting self locking mechanism, a cover can close with one touch operation.
- The straight type FPC that is easily inserted is adopted.

Specifications

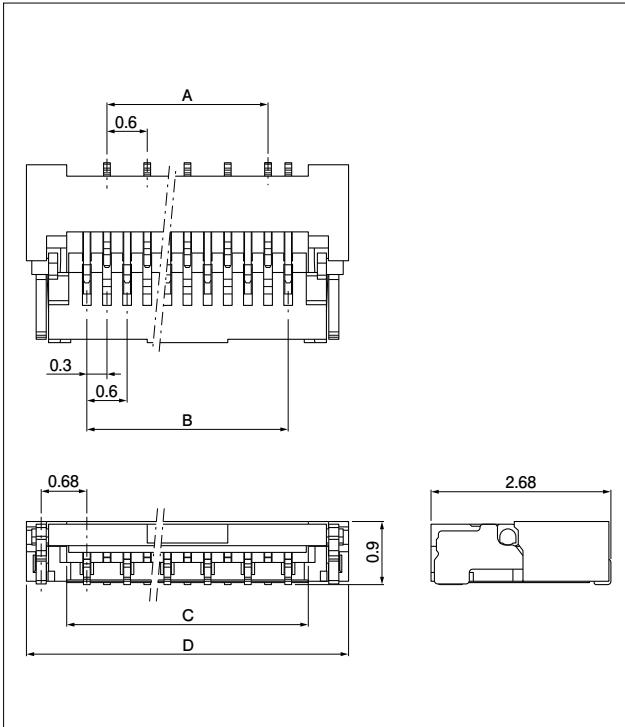
- Current rating: 0.2 A AC/DC
- Voltage rating: 50 V AC/DC
- Temperature range: -25°C to +85°C
(including temperature rise in applying electrical current)
- Contact resistance: Initial value/100 mΩ max.
After environmental tests/100 mΩ max.
(variation from initial value)
- Insulation resistance: 50 MΩ min.
- Withstanding voltage: At initial: 200 VAC/minute
After humidity test: 100 VAC/minute
- Applicable FPC: Conductor pitch/ 0.3 mm
Conductor width/ 0.3 mm
Mating part thickness/ 0.2 ± 0.03 mm
- * In using the products, refer to "Handling Precaution for Terminals and Connectors" described on our website (Technical documents of Product information page).
- * RoHS2 compliance
- * Dimensional unit: mm
- * Contact JST for details.

PC board layout and Assembly layout



FXVL CONNECTOR

Housing



No. of circuits	Model No.	Dimensions (mm)				Q'ty/reel
		A	B	C	D	
11	11FXVL-RSM1-GAN-TF-1(HF)	2.4	3.0	3.6	4.8	5,000
13	13FXVL-RSM1-GAN-TF-1(HF)	3.0	3.6	4.2	5.4	5,000
15	15FXVL-RSM1-GAN-TF-1(HF)	3.6	4.2	4.8	6.0	5,000
17	17FXVL-RSM1-GAN-TF-1(HF)	4.2	4.8	5.4	6.6	5,000
19	19FXVL-RSM1-GAN-TF-1(HF)	4.8	5.4	6.0	7.2	5,000
21	21FXVL-RSM1-GAN-TF-1(HF)	5.4	6.0	6.6	7.8	5,000
23	23FXVL-RSM1-GAN-TF-1(HF)	6.0	6.6	7.2	8.4	5,000
25	25FXVL-RSM1-GAN-TF-1(HF)	6.6	7.2	7.8	9.0	5,000
27	27FXVL-RSM1-GAN-TF-1(HF)	7.2	7.8	8.4	9.6	5,000
31	31FXVL-RSM1-GAN-TF-1(HF)	8.4	9.0	9.6	10.8	5,000
33	33FXVL-RSM1-GAN-TF-1(HF)	9.0	9.6	10.2	11.4	5,000
35	35FXVL-RSM1-GAN-TF-1(HF)	9.6	10.2	10.8	12.0	5,000
39	39FXVL-RSM1-GAN-TF-1(HF)	10.8	11.4	12.0	13.2	5,000
41	41FXVL-RSM1-GAN-TF-1(HF)	11.4	12.0	12.6	13.8	5,000
43	43FXVL-RSM1-GAN-TF-1(HF)	12.0	12.6	13.2	14.4	5,000
51	51FXVL-RSM1-GAN-TF-1(HF)	14.4	15.0	15.6	16.8	5,000

Material and Finish

Contact: Copper alloy, Nickel-undercoated, selective gold-plated
 Socket housing: Heat resisting resin, black
 Cover housing: Heat resisting resin, gray
 Reinforcement: Copper alloy, tin-plated

RoHS2 compliance

Note: The products listed above are supplied on embossed-tape.

Lead section dimensions of FPC

