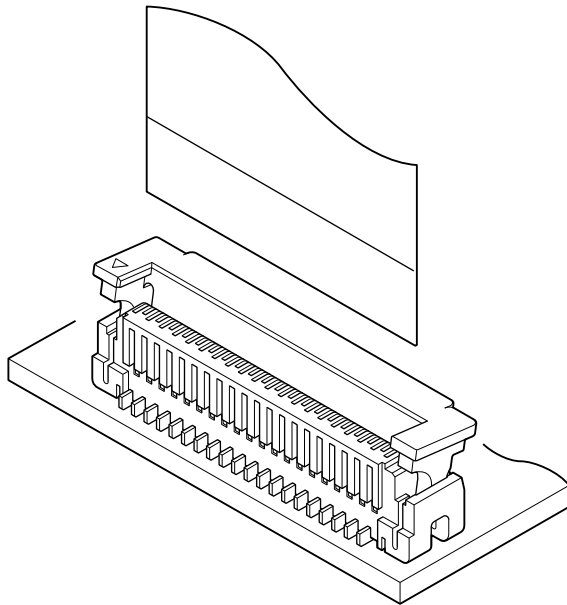




# FXZT CONNECTOR



0.3 mm pitch/Connectors for FPC



**Vertical 0.3 mm pitch ZIF type connector.**  
 This connector was mainly developed to connect FPC and subminiature digital products such as DVC, DSC, PDAs and so on.

- Vertical ZIF type FPC connector
- Space saving
- Adoption of slider structure

## Specifications

- Current rating: 0.2 A AC/DC
- Voltage rating: 50 V AC/DC
- Temperature range: -25°C to +85°C  
 (including temperature rise in applying electrical current)
- Contact resistance: Initial value/ 50 mΩ max.  
 After environmental tests/ 50 mΩ max.  
 (variation from initial value)
- Insulation resistance: 50 MΩ min.
- Withstanding voltage: 200 VAC/minute
- Applicable FPC: Conductor pitch/ 0.3 mm  
 (0.6 mm pitch staggered)  
 Conductor width/ 0.3 mm  
 Mating part thickness/ 0.2 ± 0.03 mm

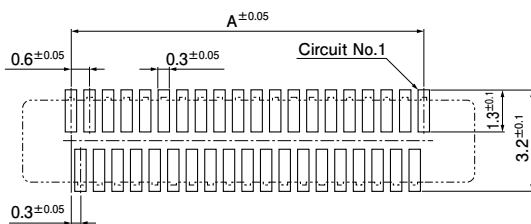
\* In using the products, refer to "Handling Precaution for Terminal and Connector" described on our website (Technical documents of Product information page).

- \* RoHS2 compliance
- \* Dimensional unit: mm
- \* Contact JST for details.

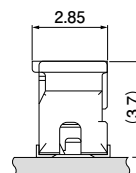
## Standards

Ⓜ Recognized E60389

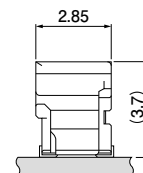
## PC board layout and Assembly layout



**Inner lock type**  
 (39 circuits or less)



**Outer lock type**  
 (41 circuits or more)



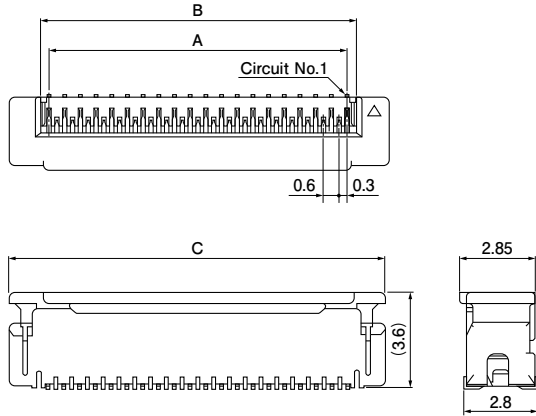
Note: 1. The above figure is the figure viewed from the connector mounting side.  
 2. Tolerances are non-cumulative: ± 0.05 mm for all centers.  
 The dimensions above should serve as a guideline. Contact JST for details.

# FXZT CONNECTOR

## Connector

### Inner lock type

(39 circuits or less)



No. of circuits	Model No.	Dimensions (mm)			Q'ty/reel
		A	B	C	
17	17FXZT-SM1-GAN-TF	4.8	5.4	8.0	2,000
21	21FXZT-SM1-GAN-TF	6.0	6.6	9.2	2,000
23	23FXZT-SM1-GAN-TF	6.6	7.2	9.8	2,000
27	27FXZT-SM1-GAN-TF	7.8	8.4	11.0	2,000
31	31FXZT-SM1-GAN-TF	9.0	9.6	12.2	2,000
33	33FXZT-SM1-GAN-TF	9.6	10.2	12.8	2,000
39	39FXZT-SM1-GAN-TF	11.4	12.0	14.6	2,000

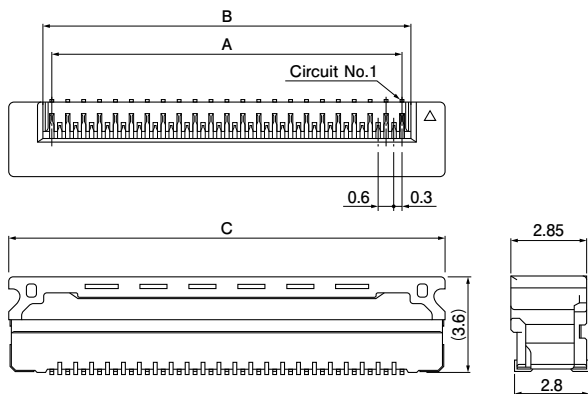
#### Material and Finish

Contact: Copper alloy, nickel-undercoated, gold-plated (nickel-stripe)  
 Slider housing: Heat resisting resin, UL94V-0, black  
 Socket housing: Heat resisting resin, UL94V-0, natural

RoHS2 compliance

### Outer lock type

(41 circuits or more)



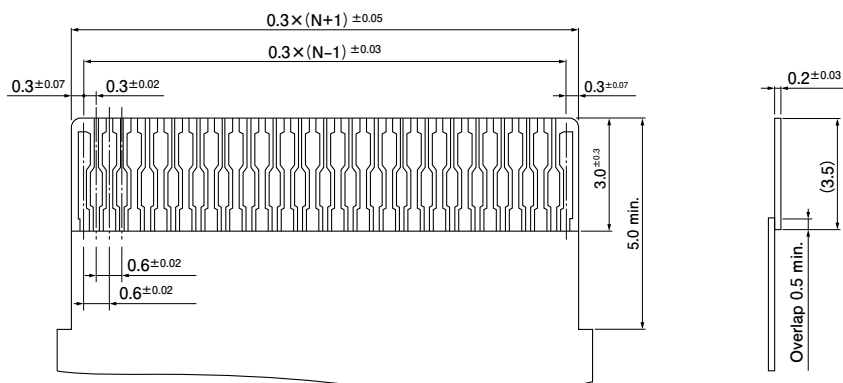
No. of circuits	Model No.	Dimensions (mm)			Q'ty/reel
		A	B	C	
45	45FXZT-SM1-GAN-TF	13.2	13.8	16.4	2,000
51	51FXZT-SM1-GAN-TF	15.0	15.6	18.2	2,000

#### Material and Finish

Contact: Copper alloy, nickel-undercoated, gold-plated (nickel-stripe)  
 Slider housing: Heat resisting resin, UL94V-0, black  
 Socket housing: Heat resisting resin, UL94V-0, natural

RoHS2 compliance

## Lead section dimensions of FPC



Note: N—Number of circuits