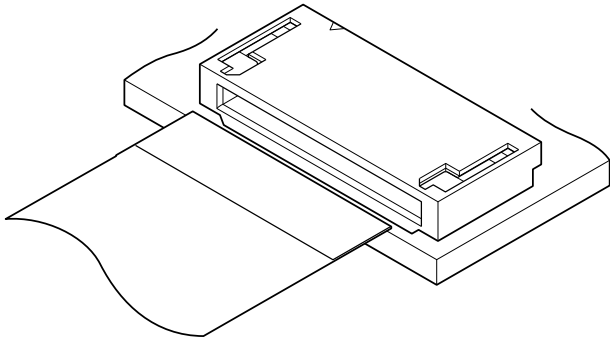




FZ CONNECTOR

0.4 mm pitch/Connectors for PC board/For FPC, Non-ZIF type



This is very small Non-ZIF type 0.4 mm pitch connector with 1.0 mm height and 3.0 mm depth.

- Double-sided contact structure

Specifications

- Current rating: 0.5 A AC/DC
- Voltage rating: 50 V AC/DC
- Temperature range: -25°C to +85°C
(including temperature rise in applying electrical current)
- Contact resistance: Initial value/ 40 mΩ max.
After environmental tests/ 30 mΩ max.
(variation from initial value)
- Insulation resistance: 500 MΩ min.
- Withstanding voltage: There shall be no breakdown or flashover while applying 200 VAC for one minute.
- Applicable FPC: Conductor pitch/0.4 mm
Conductor width/0.25 mm
Thickness of contact area/0.3 ± 0.03 mm

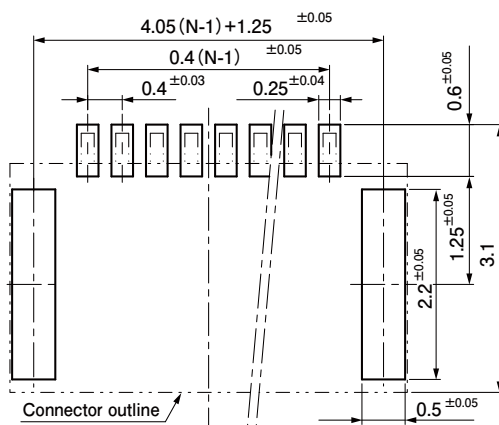
* In using the products, refer to "Handling Precaution for Terminals and Connectors" described on our website (Technical documents of Product information page).

* RoHS2 compliance

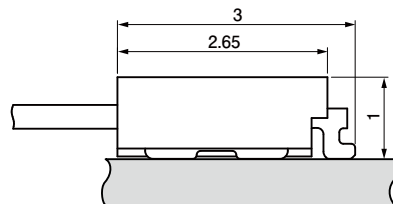
* Dimensional unit: mm

* Contact JST for details.

PC board layout and Assembly layout



PC board layout

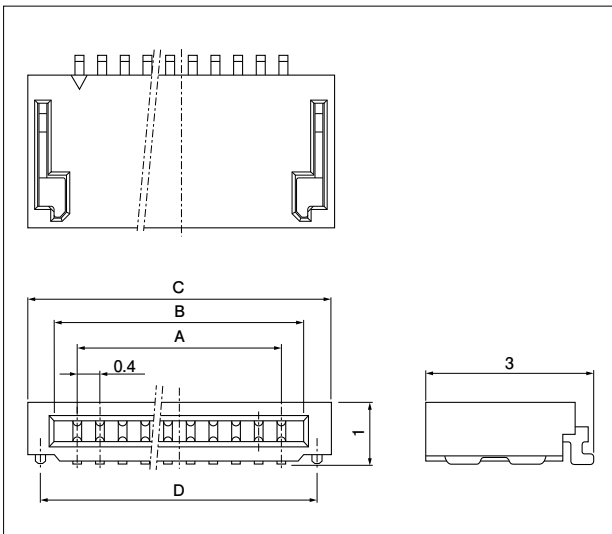


Assembly layout

Note: N --- Number of circuits

FZ CONNECTOR

Connector



No. of circuits	Model No.	Dimensions (mm)				Q'ty/reel
		A	B	C	D	
5	05FZ-SM1-GAN-TB	1.6	2.4	3.45	2.85	4,000
6	06FZ-SM1-GAN-TB	2.0	2.8	3.85	3.25	4,000
8	08FZ-SM1-GAN-TB	2.8	3.6	4.65	4.05	4,000
10	10FZ-SM1-GAN-TB	3.6	4.4	5.45	4.85	4,000
14	14FZ-SM1-GAN-TB	5.2	6.0	7.05	6.45	4,000
16	16FZ-SM1-GAN-TB	6.0	6.8	7.85	7.25	4,000

Material and Surface finish, etc.

Contact: Copper alloy, nickel-undercoated, gold-plated

Housing: Heat resisting resin, UL94V-0

Solder tab: Copper alloy, copper-undercoated, tin-plated

This product [11 circuits or less] displays (LF)(SN)(A) on a label.
 This product [12 circuits or less] displays (LF)(SN)(B) on a label.

Dimensions of FPC lead section

