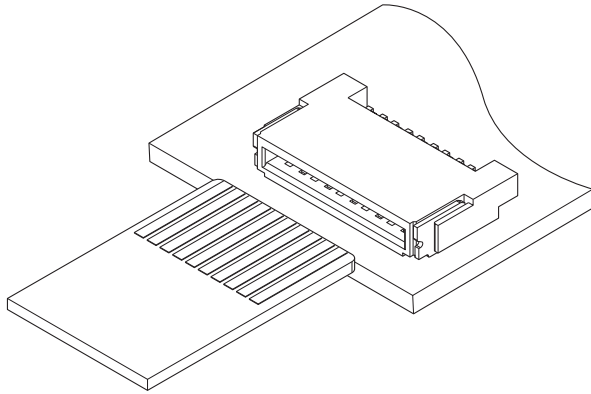


# FZA CONNECTOR

0.4 mm pitch/Connectors for PC board/For FPC, Non-ZIF type



This is a 0.4 mm pitch, compact Non-ZIF type connector with a mounting height of 1.0 mm and a depth of 3.0 mm.

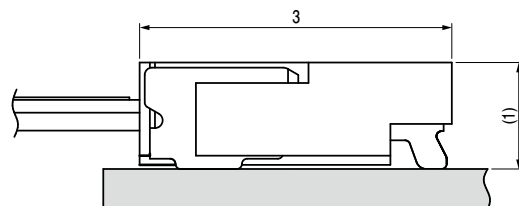
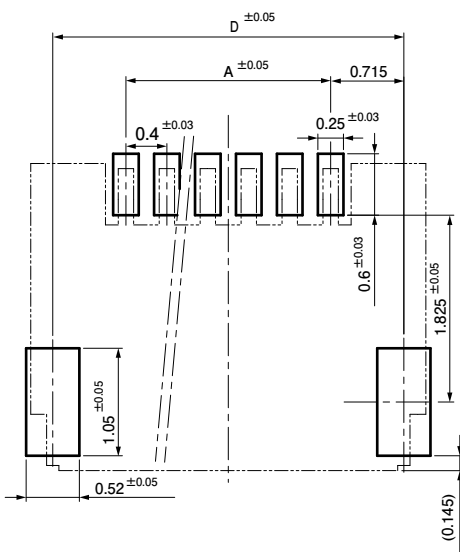
- Double-sided contact structure

## ■ Specifications

- Current rating: 0.5 A AC/DC
- Voltage rating: 50 V AC/DC
- Temperature range: -25°C to +85°C  
(including temperature rise in applying electrical current)
- Contact resistance: Initial value/40 mΩ max.  
After environmental tests/30 mΩ max.  
(variation from initial value)
- Insulation resistance: 50 MΩ min.
- Withstanding voltage: There shall be no breakdown or flashover while applying 200 VAC for one minute.
- Applicable FPC: Conductor pitch/0.4 mm  
Conductor width/0.25 mm  
Thickness of contact area/0.3 ± 0.03 mm

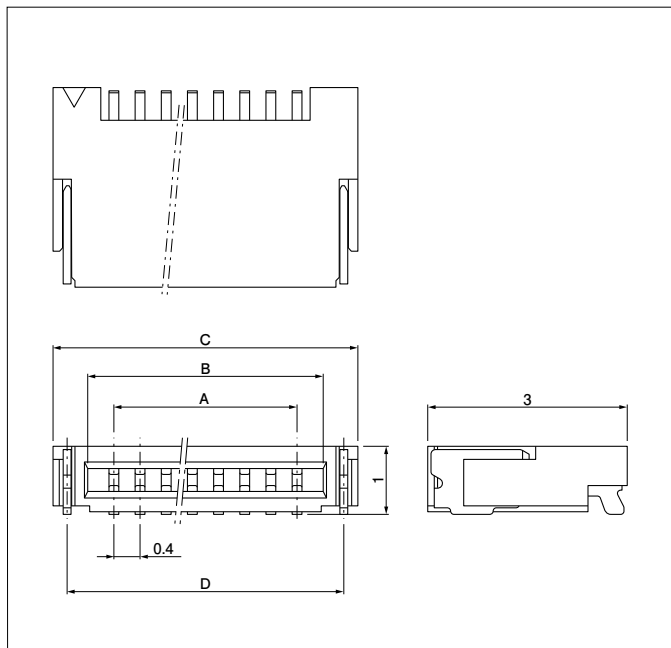
- \* In using the products, refer to "Handling Precaution for Terminals and Connectors" described on our website (Technical documents of Product information page).
- \* RoHS2 compliance
- \* Dimensional unit: mm
- \* Contact JST for details.

## PC board layout and Assembly layout



# FZA CONNECTOR

## Connector



No. of circuits	Model No.	Dimensions (mm)				Q'ty/reel
		A	B	C	D	
4	04FZA-SM1-GAN-TB(HF)	1.2	2.0	3.0	2.63	7,000
5	05FZA-SM1-GAN-TB(HF)	1.6	2.4	3.4	3.03	7,000
6	06FZA-SM1-GAN-TB(HF)	2.0	2.8	3.8	3.43	7,000
7	07FZA-SM1-GAN-TB(HF)	2.4	3.2	4.2	3.83	7,000
8	08FZA-SM1-GAN-TB(HF)	2.8	3.6	4.6	4.23	7,000
10	10FZA-SM1-GAN-TB(HF)	3.6	4.4	5.4	5.03	7,000
12	12FZA-SM1-GAN-TB(HF)	4.4	5.2	6.2	5.83	7,000
13	13FZA-SM1-GAN-TB(HF)	4.8	5.6	6.6	6.23	7,000
14	14FZA-SM1-GAN-TB(HF)	5.2	6.0	7.0	6.63	7,000
16	16FZA-SM1-GAN-TB(HF)	6.0	6.8	7.8	7.43	7,000
18	18FZA-SM1-GAN-TB(HF)	6.8	7.6	8.6	8.23	7,000
20	20FZA-SM1-GAN-TB(HF)	7.6	8.4	9.4	9.03	7,000
22	22FZA-SM1-GAN-TB(HF)	8.4	9.2	10.2	9.83	7,000
24	24FZA-SM1-GAN-TB(HF)	9.2	10.0	11.0	10.63	7,000

### Material and Surface finish, etc.

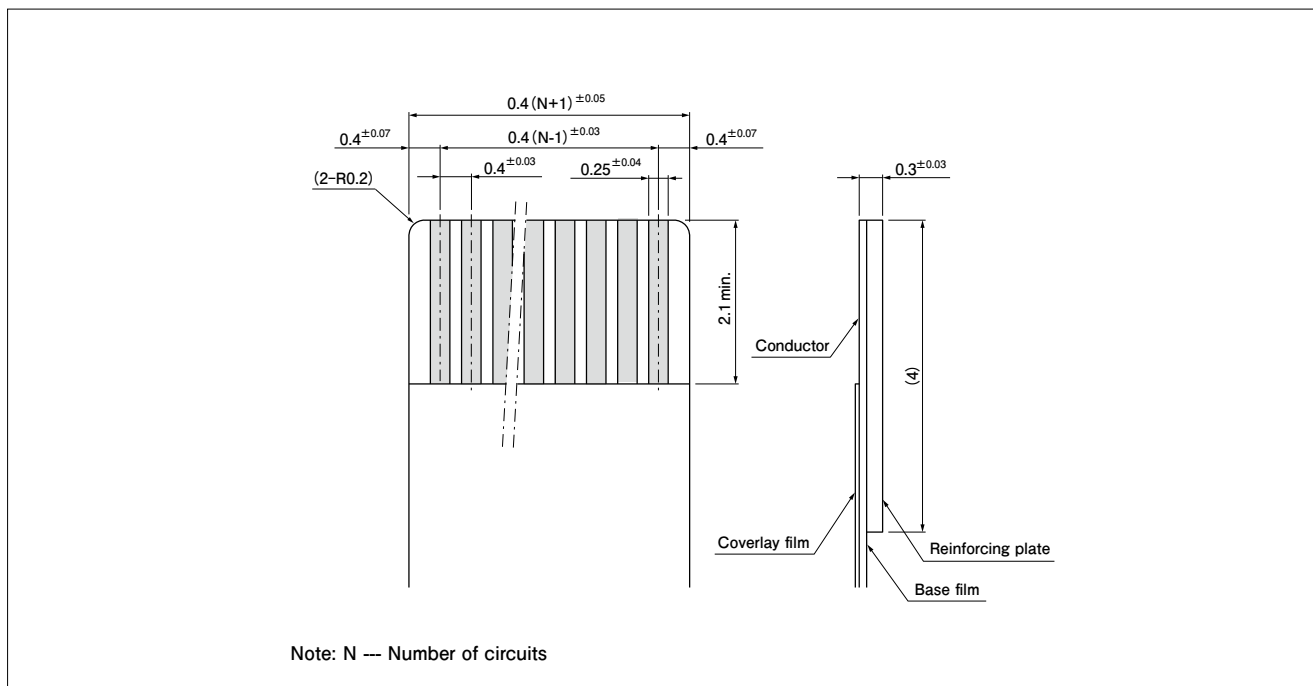
Contact: Copper alloy, nickel-undercoated, gold-plated

Housing: Heat resisting resin, black

Reinforcement: Copper alloy, tin-plated

This products listed above are supplied on embossed-tape.

## Dimensions of FPC lead section



Note: N --- Number of circuits