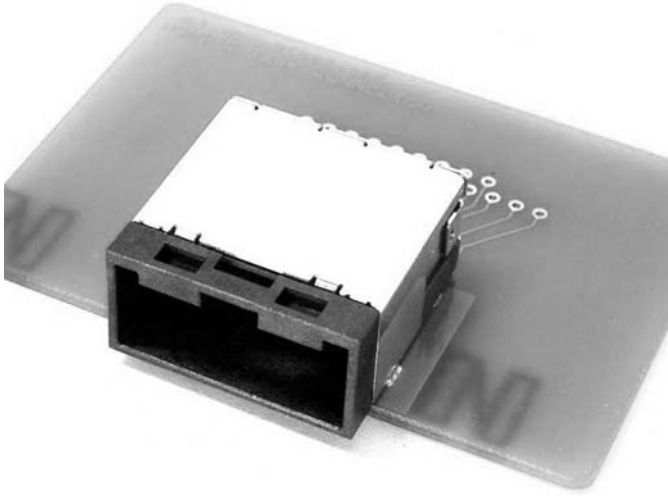


HIE CONNECTOR

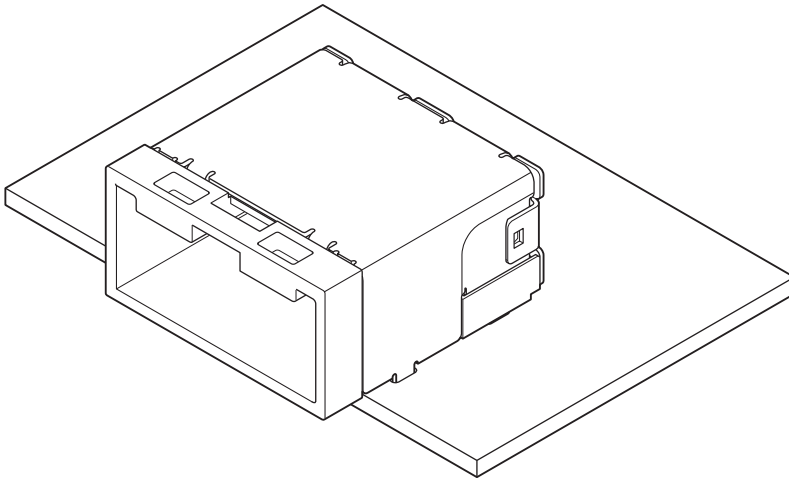
For Interface

Features

- Miniaturized design
- Reflow surface mount type
- HDMI 1.4 standard compliant
- Robustness



This HIE connector complies with HDMI E Type for automobile equipment such as navigation system.

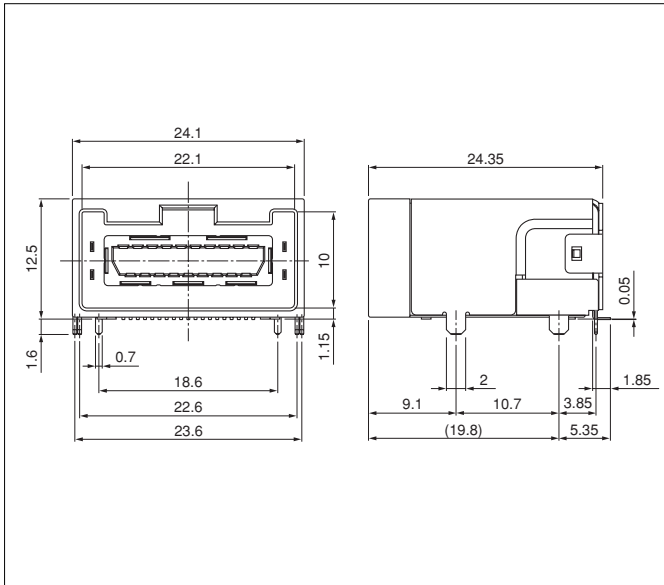


Specifications

- Current rating: 0.5 A AC, DC
- Voltage rating: 40 V AC, DC
- Temperature range: -40°C to +105°C
(including temperature rise in applying electrical current)
- Contact resistance: Initial value/ 10 mΩ max.
After environmental tests/ 30 mΩ max.
- Insulation resistance: 10 MΩ min.
- Withstanding voltage: 300 VAC/minute
- Characteristic impedance: 100 Ω ± 15% (Tr=200ps, 10-90%)

- * Compliant with ELV/RoHS.
- * Contact JST for details.

Connector

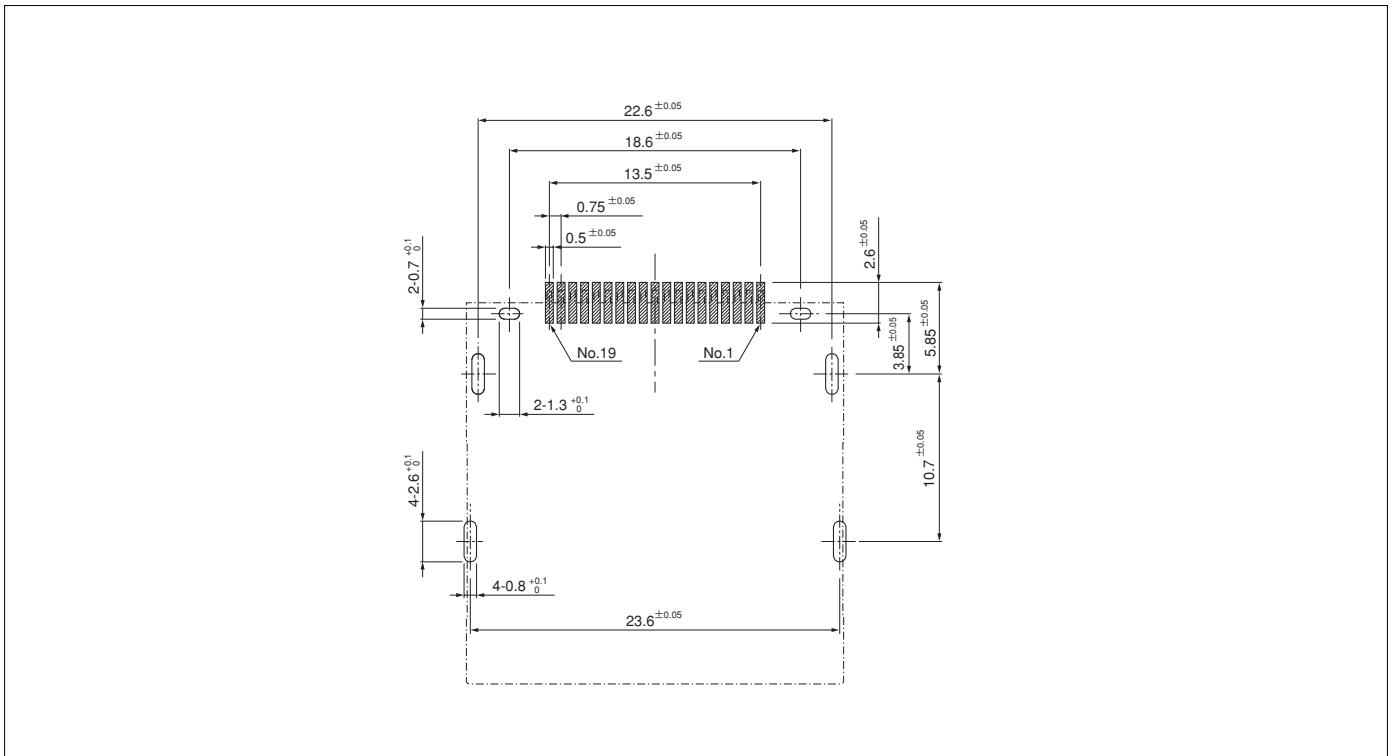


Circuits	Model No.	Q'ty/box
19	HIE-N19R-S02A	616

Material and Finish

Contact: Copper alloy, nickel-undercoated, gold-plated
 Inner housing: Heat resisting resin, UL94V-0, Black
 Outer housing: Heat resisting resin, UL94V-0, Black
 Inner shell: Stainless steel, nickel-undercoated, tin-plated
 Outer shell: Stainless steel, nickel-undercoated, tin-plated

PC board layout



- Note: 1. The above figure is the figure viewed from the connector mounting side.
 2. Tolerances are non-cumulative: ± 0.05 mm for all centers.
 The dimensions above should serve as guideline. Contact JST for details.