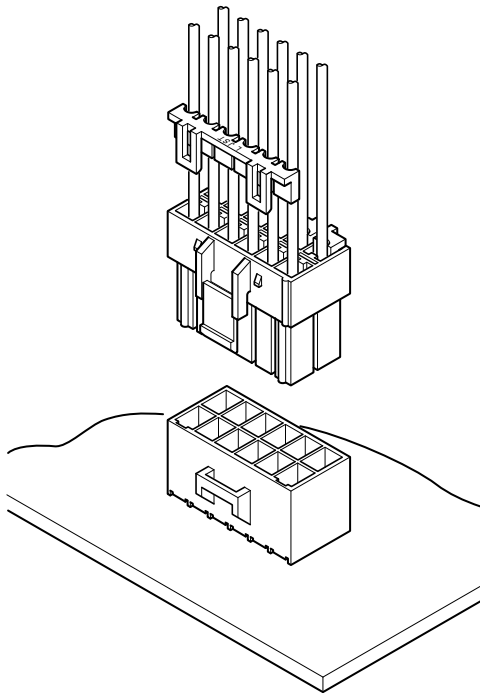


HL CONNECTOR

3.96 mm pitch/Disconnectable crimp style connectors

(Combined use for both wire-to-board and wire-to-wire connections)



This is a multipurpose product that can also be used for wire-to-board and wire-to-wire connections. A contact with a free spring structure that reduces the stress at the contact part and has excellent creep deformation property and reliability is adopted. In addition, safety design prevents reverse insertion with the boss.

- Housing lances for contact retention
- Inner-housing lock
- Secondary retainer
- Free spring structure

Specifications

- Current rating: 7A AC, DC (Refer to the table below.)
- Voltage rating: 300V AC, DC
- Temperature range: -25°C to +90°C
(including temperature rise in applying electrical current)
- Contact resistance: Initial value/7mΩ max.
After environmental testing/10mΩ max.
- Insulation resistance: 1,000MΩ min.
- Withstanding voltage: 1,500V AC/minute
- Applicable wire: AWG #22 to #18
- Applicable PC board thickness: 1.5 to 2.2mm

Note:

The current rating differs depending on the number of circuits and the wire size used in each connector. The table below lists the current rating as a function of the number of circuits and the wire size.

No. of circuits	Wire size(AWG)		
	#18	#20	#22
4	7	5	4
8	6	4	3
12	5	3	3

Current unit:A

Note:

Do not branch in parallel current which exceeds the rated current (eg. more than 7A in the case of 4 circuits with AWG #18). If branched in parallel, current imbalance or other problems may develop.

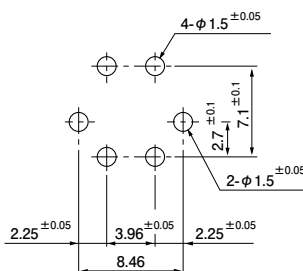
- * Compliant with RoHS.
- * Refer to "General Instruction and Notice when using Terminals and Connectors" at the end of this catalog.
- * Contact JST for details.

Standards

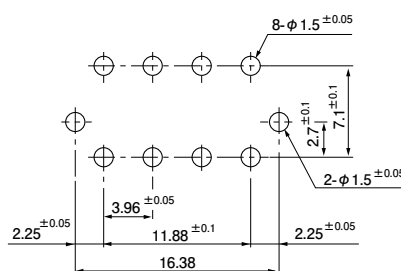
- Ⓜ Recognized E60389
- Ⓢ Certified LR20812
- Ⓡ R50171609

PC board layout (viewed from component side)

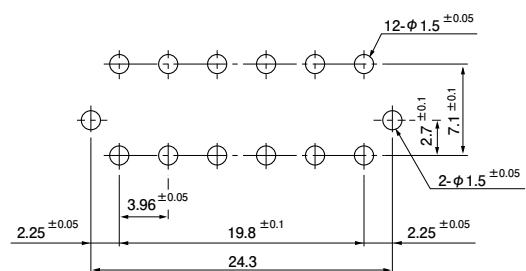
(4 circuits)



(8 circuits)



(12 circuits)

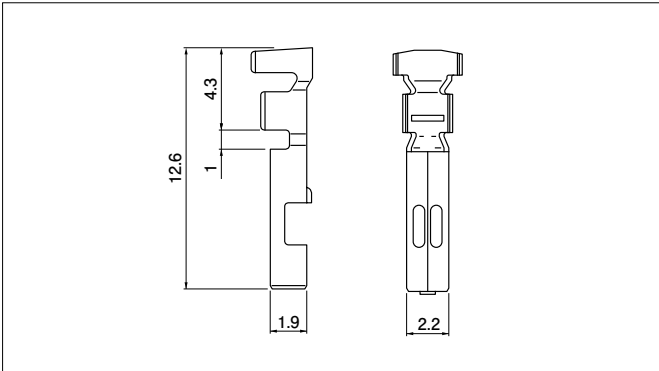


Note: 1. Tolerances are non-cumulative: ± 0.05mm for all centers.

2. Hole dimensions differ according to the type of PC board and piercing method. The dimensions above should serve as a guideline. Contact JST for details.

HL CONNECTOR

Contact



Model No.	Applicable wire		Insulation O.D. (mm)	Q'ty / reel
	mm ²	AWG #		
SSF-21T-P1.4	0.3 to 0.75	22 to 18	1.5 to 2.2	6,000

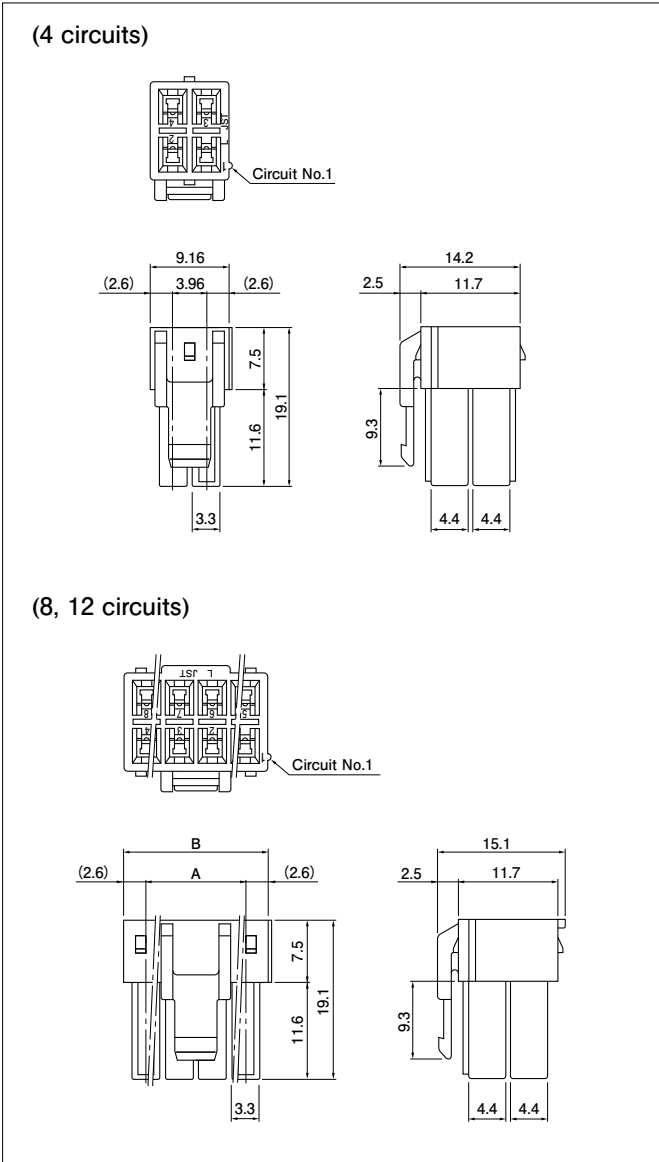
Material and Finish
Phosphor bronze, tin-plated (reflow treatment)

RoHS compliance

Contact	Crimping machine	Applicator		
		Crimp applicator	Dies	Crimp applicator with dies
SSF-21T-P1.4	AP-K2N	MKS-L	MK/SSF/M-21-14	APLMK SSF/M21-14
		—	—	—

Note: Contact JST for fully automatic crimping applicator.

Housing



No. of circuits	Model No.	Dimensions (mm)		Q'ty / bag
		A	B	
4	HLP-04V	—	—	500
8	HLP-08V	11.88	17.08	500
12	HLP-12V	19.8	25.0	500

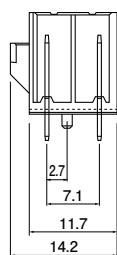
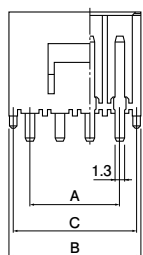
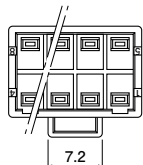
Material
PA 66, UL94V-0, natural (white)

RoHS compliance

HL CONNECTOR

Header

(4, 8, 12 circuits)



No. of circuits	Model No.	Dimensions (mm)			Q'ty / box
		A	B	C	
4	B04P-HL-A	3.96	9.56	8.46	200
8	B08P-HL-A	11.88	17.48	16.38	100
12	B12P-HL-A	19.80	25.40	24.30	50

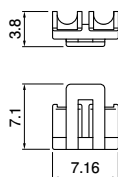
Material and Finish

Post: Brass, copper-undercoated, tin-plated (reflow treatment)
Wafer: PA 66, UL94V-0, natural (white)

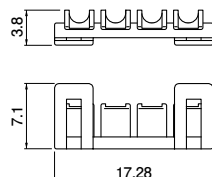
RoHS compliance This product displays (LF)(SN) on a label.

Retainer

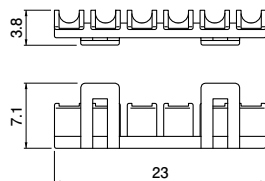
HLS-02V



HLS-08V



HLS-12V



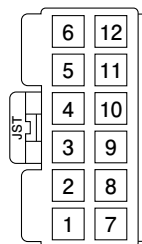
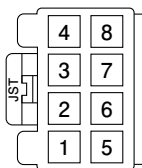
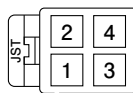
Applicable Housing Model No.	Retainer Model No.	Q'ty / bag
HLP-04V	HLS-02V	1,000
HLP-08V	HLS-08V	1,000
HLP-12V	HLS-12V	1,000

Material

Glass-filled PA 66, UL94V-0, natural (ivory)

RoHS compliance

Contact position location numbers



Model number allocation

Contact

S SF - 21 T - P 1.4

Form: S...Strip form, B...Loose piece
Series name
Applicable wire range: AWG #22 to AWG #18
Surface finish: T...Tin-plated (reflow treatment)
Material: P...Phosphor bronze
Terminal size

Housing

HL P - 04 V -

Series name
Part name: Plug
No. of circuits: 4, 8, 12
Flammability: V...UL94V-0
Color: None...Natural (White), E...Blue

Header

B 04 P - HL - A -

Shape of assembled product: Top entry type
No. of circuits: 4, 8, 12
Part name: Post
Series name
Shape: A...With boss
Color: None...Natural (White), E...Blue

Retainer

HLS - 02 V

Series name
Part name: Retainer
No. of circuits: 2, 8, 12
Flammability: V...UL94V-0