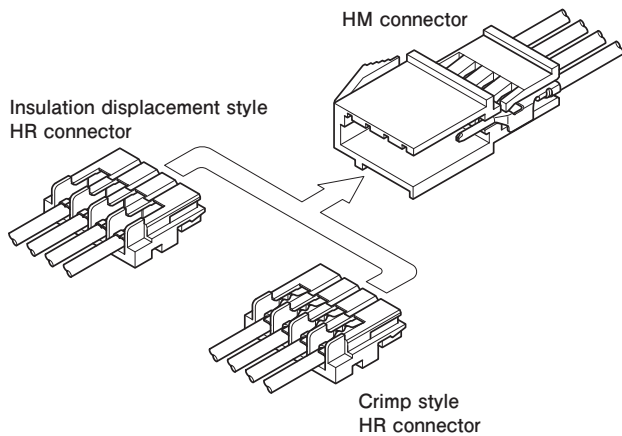


HM CONNECTOR

2.5 mm pitch/Wire-to-Wire connectors/Crimp style and Mating style



Introducing a 2.5 mm pitch plug styled wire-to-wire HM connector that supports both HR crimp and HR insulation displacement sockets which is cost-efficient and highly reliable.

- Supports both HR crimp style and HR insulation displacement sockets.
- Housing lances
- Panel lock mechanism
- Protective shell-shaped housing.

■ Specifications

- Current rating:
 - Crimp style HR connectors
3 A AC/DC (AWG #22)
 - Insulation displacement style HR connectors
2 A AC/DC (AWG #24)
 - Voltage rating: 250 V AC/DC
Caution: Does not comply with Japan Electrical Appliance and Material Safety Law.
When using, be aware that the exposed contact should not touch or get too close to other metal enclosures, cases and covers.
 - Temperature range: -25°C to +85°C
(including temperature rise in applying electrical current)
 - Contact resistance:
 - Initial value/ 10 mΩ max.
 - After environmental tests/ 20 mΩ max.
 - Insulation resistance: 500 MΩ min.
 - Withstanding voltage:
 - There shall be no breakdown or flashover while applying 1,000 VAC for one minute.
 - Applicable wire range:
 - Conductor size/ AWG #26 to AWG #22
 - Insulation O.D./ ϕ 1.3 mm to ϕ 1.7 mm
 - Applicable panel thickness: 0.8 mm to 1.6 mm
- * Please refer to the "Handling Precautions for Terminals and Connectors" on our website (listed in the "Technical Documents" column on the Product Information page) before use.
- * RoHS2 compliance
- * Dimensional unit: mm
- * Contact JST for details.

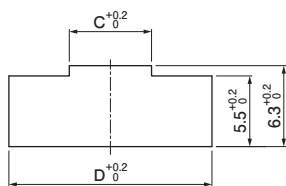
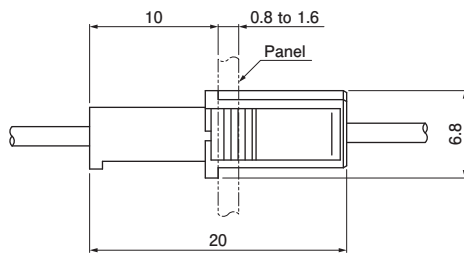
■ Standards

For information on overseas standard registrations, please refer to the "List of Registered Overseas Standards" on our website (listed in the "Technical Documents" column on the Product Information page).

- * Specifications registered to overseas standards may differ from the general specifications listed above.

HM CONNECTOR

Panel layout and Assembly layout

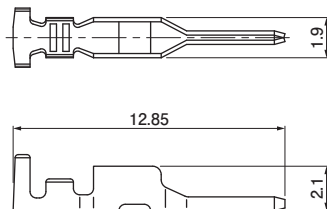


No. of circuits	Model No.	Panel hole dimensions (mm)	
		C	D
2	HMR-02V	3.9	13.3
3	HMR-03V	6.4	15.8
4	HMR-04V	8.9	18.3
8	HMR-08V	18.9	28.3

- Note: 1. Drill holes in the panel according to the sketch and table shown above. Burrs must be removed.
 2. When drilling multiple panel holes adjacent to each other, pay sufficient attention to the strength of the panel.
 3. The drilled hole must be at the same angle as the direction in which the connector is inserted.

Plug/ HM connector

Contact



Model No.	Applicable wire range		Q'ty/ reel
	Conductor size AWG (mm ²)	Insulation O.D. (mm)	
SMR-001T-0.6	#26 to #22 (0.13 to 0.33)	1.3 to 1.7	9,000

Material and Surface finish, etc.

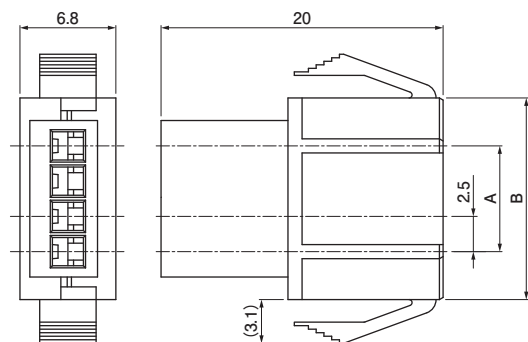
Copper alloy, tin-plated

Crimping machine

Contact	Crimping machine	Applicator	Crimp applicator with dies
SMR-001T-0.6	AP-K2N	MKS-L	APLMK SHR/MR001-06

Note: Contact JST for fully automatic crimping applicator.

Housing



No. of circuits	Model No.	Dimensions (mm)		Q'ty/ bag
		A	B	
2	HMR-02V	2.5	9.3	1,000
3	HMR-03V	5.0	11.8	500
4	HMR-04V	7.5	14.3	500
8	HMR-08V	17.5	24.3	500

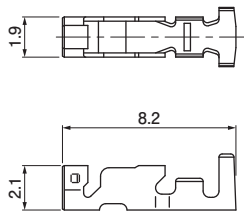
Material and Surface finish, etc.

PA

Note: For flame retardant grade of resin material used, please refer to the "List of Registered Overseas Standards" on our website (listed in the "Technical Documents" column on the Product Information page).

Socket / Crimp style HR connector

Contact



Model No.	Applicable wire range		Q'ty/ reel
	Conductor size AWG (mm ²)	Insulation O.D. (mm)	
SHR-001T-P0.6	#26 to #22 (0.13 to 0.33)	1.3 to 1.7	9,000

Material and Surface finish, etc.

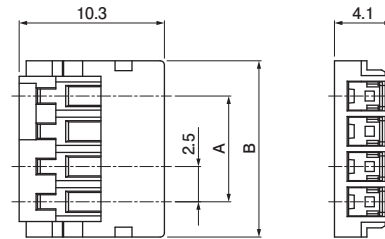
Copper alloy, tin-plated

Crimping machine

Contact	Crimping machine	Applicator	Crimp applicator with dies
SHR-001T-P0.6	AP-K2N	MKS-L	APLMK SHR/MR001-06

Note: Contact JST for fully automatic crimping applicator.

Housing



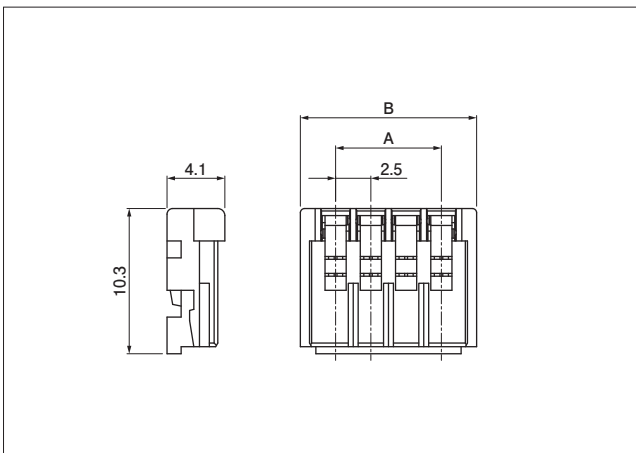
No. of circuits	Model No.	Dimensions (mm)		Q'ty/ bag
		A	B	
2	HRP-02-S	2.5	7.5	2,000
3	HRP-03-S	5.0	10.0	2,000
4	HRP-04-S	7.5	12.5	1,000
8	HRP-08-S	17.5	22.5	500

Material and Surface finish, etc.

PA

Note: For flame retardant grade of resin material used, please refer to the "List of Registered Overseas Standards" on our website (listed in the "Technical Documents" column on the Product Information page).

Socket / Insulation displacement style HR connector



No. of circuits	Model No.			Dimensions (mm)		Q'ty /bag
	For AWG #28	For AWG #26	For AWG #24	A	B	
2	02HR-8M-P-N	02HR-6S-P-N	02HR-4K-P-N	2.5	7.5	1,000
3	03HR-8M-P-N	03HR-6S-P-N	03HR-4K-P-N	5.0	10.0	1,000
4	04HR-8M-P-N	04HR-6S-P-N	04HR-4K-P-N	7.5	12.5	1,000
8	08HR-8M-P-N	08HR-6S-P-N	08HR-4K-P-N	17.5	22.5	500

Material and Surface finish, etc.

Contact: Copper alloy, tin-plated

Housing: PA

Note: For flame retardant grade of resin material used, please refer to the "List of Registered Overseas Standards" on our website (listed in the "Technical Documents" column on the Product Information page).

Applicable wire

UL style No.	Conductor			Insulation O.D. (mm)
	Material and Surface finish, etc.	Size AWG	Composition	
1007	Annealed copper, tin-plated	#28, #26, #24	7 conductors	1.0 to 1.5

Note: Please contact JST for the application of other wires, such as UL style No.