

# HVGW CONNECTOR

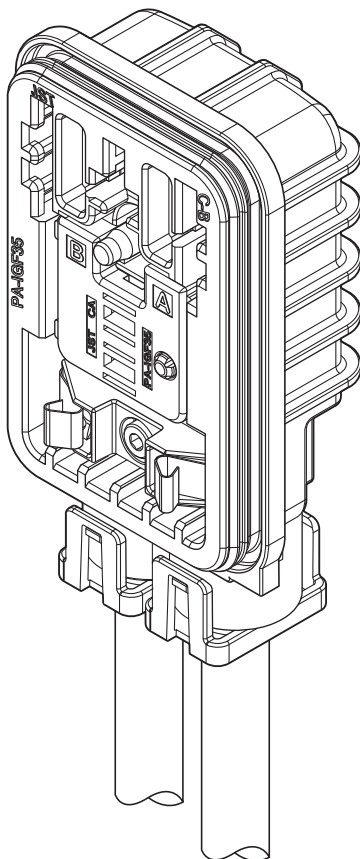
Sealed, Shield connector/High voltage



2 Circuits 14.5 Sealed, Shielded Connector System. Designed for high current, high voltage applications in an Automotive environment.

## ■ Features

- 2 circuits: 14.5 terminals
- Sealed, Shielded, High Current, High Voltage Connector
- Over 98% shielding coverage
- HVIL (optional) feature available
- Bolt driven mating design

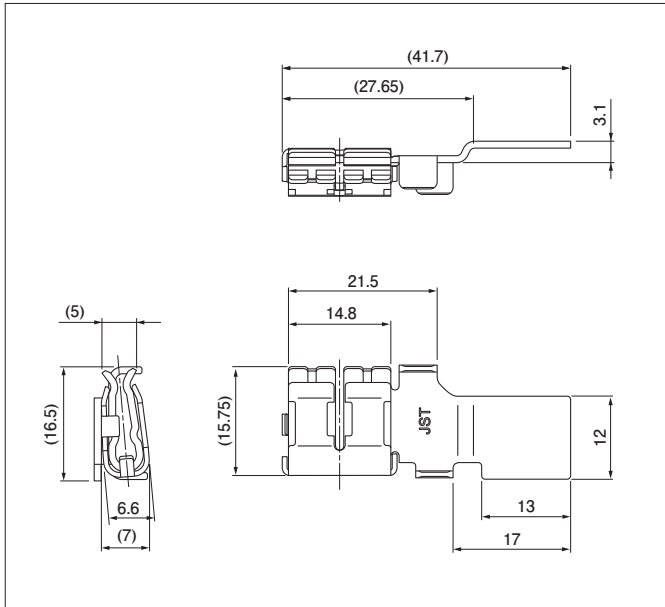


## ■ Specifications

- Current rating: 135 A DC continuous
- Voltage rating: 300 V DC continuous
- Temperature range: -40°C to +125°C
- Insulation resistance: 100 MΩ min.
- Withstanding voltage: 1,600 VAC/minute
- Applicable wire: Champlain shielded battery cable  
Champlain P/N: 15-07603-001 or equivalent

\* Compliant with ELV/RoHS.  
\* Contact JST for details.

## HVG terminal

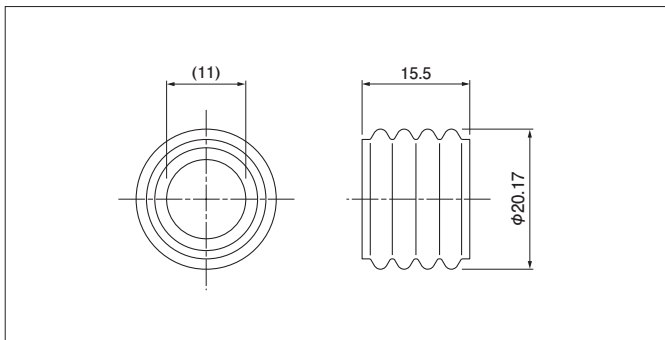


Model No.	Applicable wire range		Q'ty/box
	Conductor (mm <sup>2</sup> )	Insulation O.D. (mm)	
AHVG-350B-C1500	35	12.44	200

### Material and Finish

Core terminal; Copper alloy, silver-plated (anti-tarnish treatment)  
Reinforcement; Stainless steel

## Cable seal

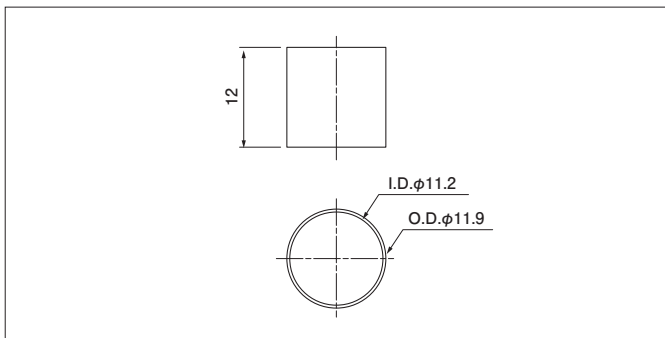


Model No.	Q'ty/box
HVGW-WS-AM	1,500

### Material and Finish

Silicone, Green

## Inner ferrule

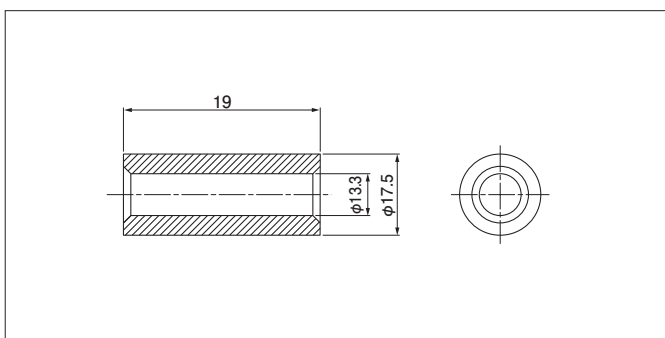


Model No.	Q'ty/box
HVGWF-120T-A180	100

### Material and Finish

Copper alloy, tin-plated

## Outer ferrule



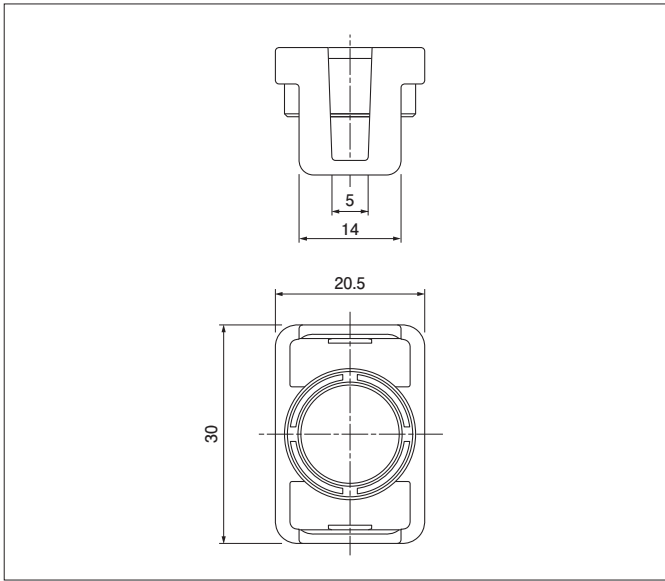
Model No.	Q'ty/box
P-70	50

### Material and Finish

Copper, tin-plated

# HVGW CONNECTOR

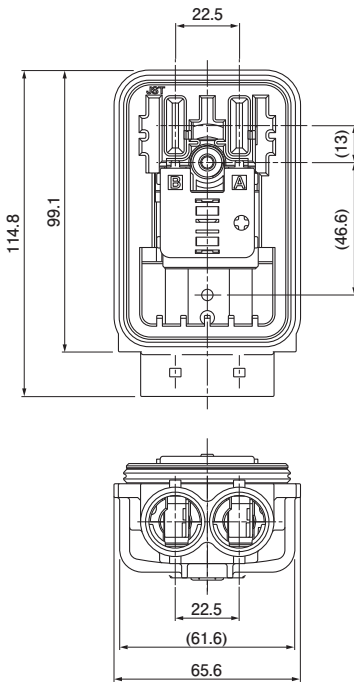
## Back cover



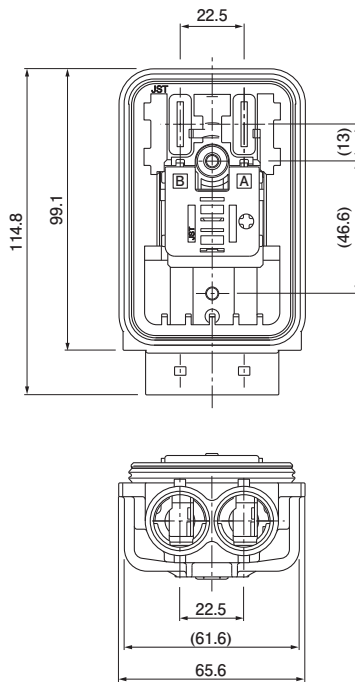
Model No.	Q'ty/box
HVGW-SC-AK	1,500
Material and Finish	
Glass-filled PA, Black	

## Female connector, Sub assembly

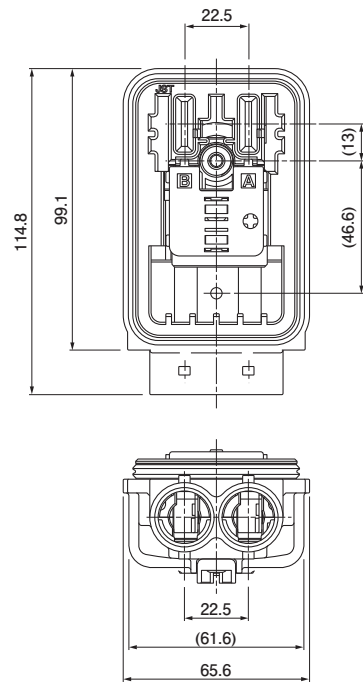
### ●HVGWPB-G02-AD



### ●HVGWPB-G02-BD



### ●HVGWPB-P02-AD(HVIL attachment feature)



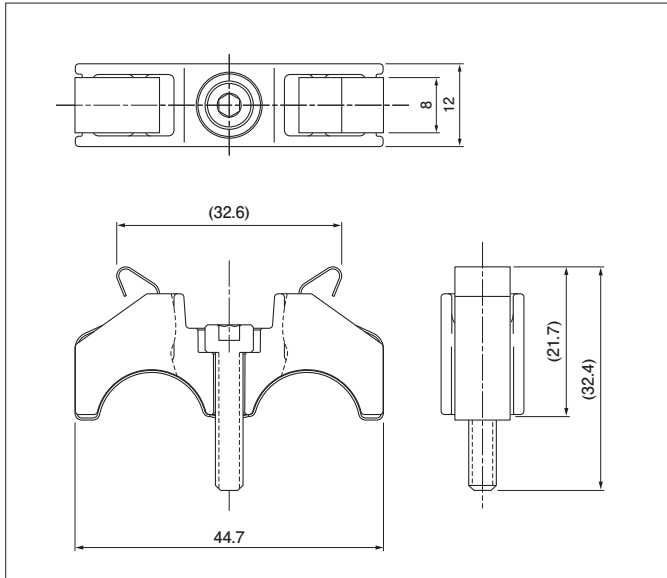
Circuits	Type code	Model No.	Q'ty/box	HVIL attachment feature
2	A	HVGWPB-G02-AD	56	No
		HVGWPB-P02-AD	56	Yes
	B	HVGWPB-G02-BD	56	No

#### Material and Finish

Housing: Glass-filled PA, Black  
 Shield cover: Aluminium alloy  
 M4 bolt: Steel, zinc-plated  
 M6 bolt: Steel, zinc-plated  
 O-ring: Silicon, Red  
 Retaining clip: Steel, Black  
 Ring seal: Silicone, Green  
 TPA: Glass-filled PA, Natural (White)  
 HVIL attachment: PBT, Black

# HVGW CONNECTOR

## Yoke assembly

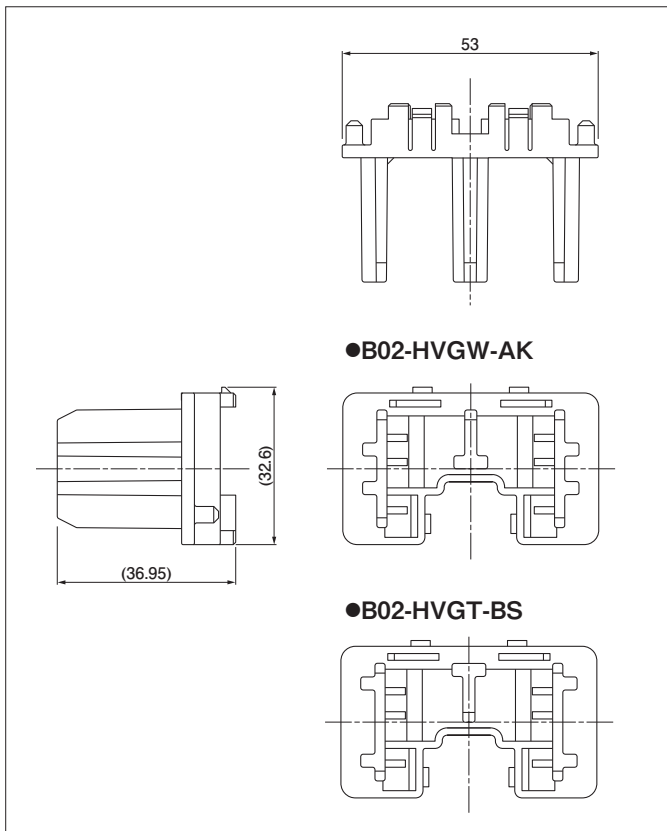


Model No.	Q'ty/box
HVGWB-Y-AS	360

### Material and Finish

Yoke block: Zinc alloy  
 Yoke spring: Copper alloy, tin-plated  
 M4 bolt: Steel, zinc-plated

## Plastic Insert



●B02-HVGW-AK

●B02-HVGT-BS

Circuits	Type Code	Model No.	Q'ty/box	Color	Applicable Connector
2	A	B02-HVGW-AK	500	Black	HVGWPB-G02-AD HVGWPB-P02-AD
	B	B02-HVGT-BS	500	Natural (White)	HVGWPB-G02-BD

### Material and Finish

Glass-filled PA