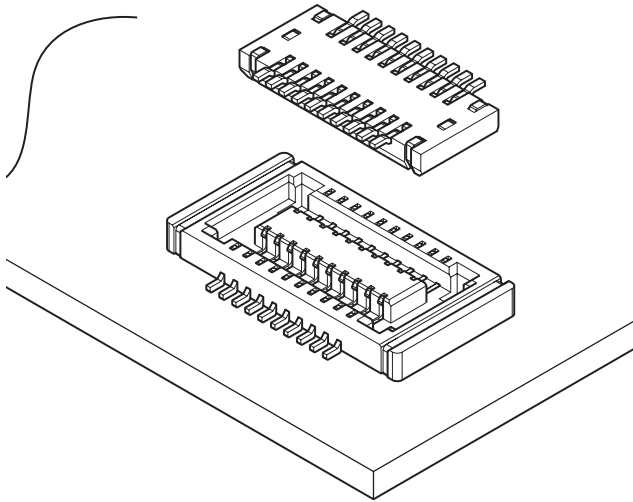


# JAN CONNECTOR

0.4mm pitch/Board-to-board connectors



**This JAN connector is a board-to-board connector with stacking height 1.0 mm and 0.4 mm pitch, which is the lowest-profile connector in the [electro mechanical component] industry.**

**In consideration of operability at user side, although it is 1.0 mm low profile, when mating receptacle with plug, the connector structure, where the large amount of guiding connector can be taken, is adopted, and differentiates JAN connector with added value.**

- Locking mechanism of contact
- Wiping contact structure
- Reinforcement tabs

## Specifications

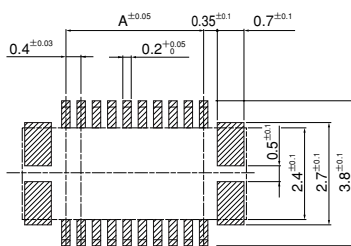
- Current rating: 0.2 A AC, DC
  - Voltage rating: 30 V AC, DC
  - Temperature range: -25°C to +85°C  
(including temperature rise in applying electrical current)
  - Contact resistance: Initial value/ 70 mΩ max.  
After environmental tests/ 140 mΩ max.
  - Insulation resistance: 50 MΩ min.
  - Withstanding voltage: 100 VAC/minute
- \* Refer to "General Instruction and Notice when using Terminals and Connectors" at the end of this catalog.  
\* Contact JST for details.  
\* Compliant with RoHS.

## Standards

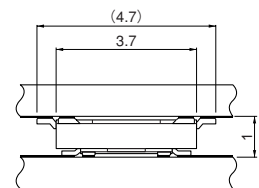
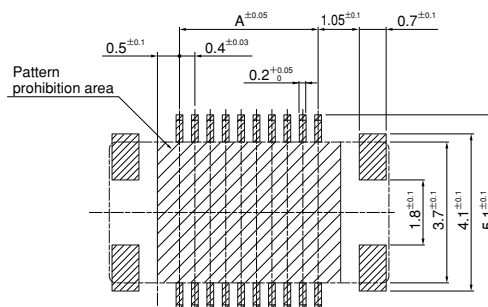
- Ⓜ Recognized E60389
- Ⓢ Certified LR20812

## PC board layout and Assembly layout

### Plug



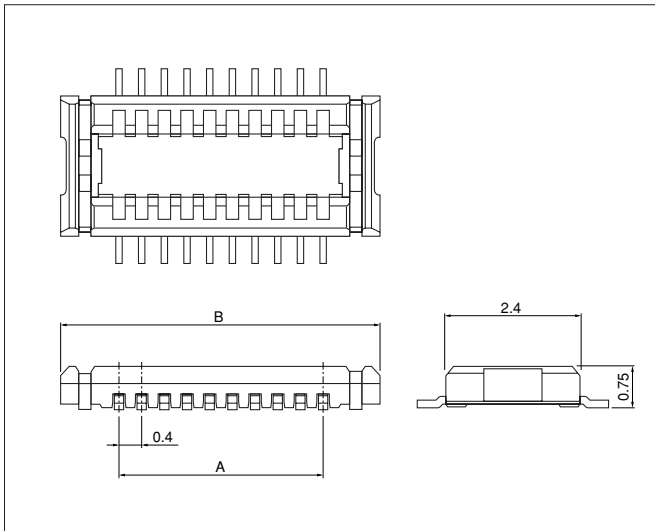
### Receptacle



Note: 1. The above figure is the figure viewed from the connector mounting side.  
2. Tolerances are non-cumulative: ±0.03 mm for all centers.  
The dimensions above should serve as a guideline. Contact JST for details

# JAN CONNECTOR

## Plug



Circuits	Model No.	Dimensions (mm)		Q'ty/ reel
		A	B	
24	<b>24P-JANK-GSAN-2-TF</b>	4.4	6.4	4,000
34	<b>34P-JANK-GSAN-2-TF</b>	6.4	8.4	4,000
40	<b>40P-JANK-GSAN-2-TF</b>	7.6	9.6	4,000

### Material and Finish

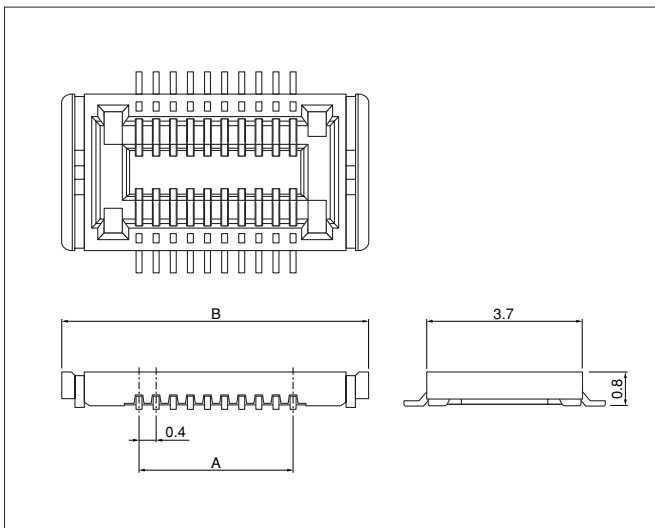
Contact: Phosphor bronze, nickel-undercoated, gold-plated (nickel-stripe)

Housing: LCP, UL94V-0

Solder tab: Brass, copper-undercoated, tin-plated (reflow treatment)

**RoHS compliance** This product displays (LF)(SN) on a label.  
Note: The products listed above are supplied on embossed-tape.

## Receptacle



Circuits	Model No.	Dimensions (mm)		Q'ty/ reel
		A	B	
24	<b>24R-JANK-GSAN-TF</b>	4.4	8.0	4,000
34	<b>34R-JANK-GSAN-TF</b>	6.4	10.0	4,000
40	<b>40R-JANK-GSAN-TF</b>	7.6	11.2	4,000

### Material and Finish

Contact: Phosphor bronze, nickel-undercoated, gold-plated (nickel-stripe)

Housing: LCP, UL94V-0

Solder tab: Brass, copper-undercoated, tin-plated (reflow treatment)

**RoHS compliance** This product displays (LF)(SN) on a label.  
Note: The products listed above are supplied on embossed-tape.