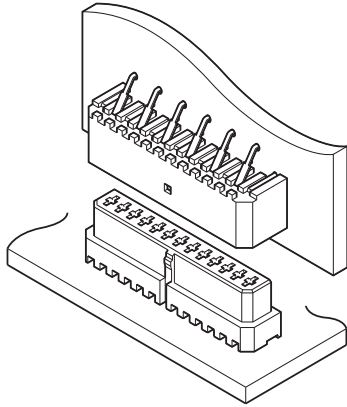




# JE CONNECTOR

1.25 mm pitch/Board-to-Board connectors/Mating style



This is a 1.25 mm pitch, single row, board-to-board connector at 6.8 mm in height and 4.4 mm in width.

In the mated condition, the JE connector provides a high degree of reliability attributable to the high-contact pressure, dual beam, fork contact design. Based on a rectangular shaped housing construction, the JE connector offers a stable and secure board-to-board connection.

- Compact and space-saving
- Stable contact reliability
- Housing lock to ensure a quality connection
- Superior board mounting characteristics designed to protect against flux

## ■ Specifications

- Current rating: 1.0 A AC/DC
- Voltage rating: 50 V AC/DC
- Temperature range: -25°C to +85°C  
(including temperature rise in applying electrical current)
- Contact resistance:  
Initial value/ 20 mΩ max.  
After environmental tests/ 40 mΩ max.
- Insulation resistance: 500 MΩ min.
- Withstanding voltage:  
There shall be no breakdown or flashover while applying 500 VAC for one minute.
- Applicable PC board thickness : 1.6 mm
- \* Please refer to the "Handling Precautions for Terminals and Connectors" on our website (listed in the "Technical Documents" column on the Product Information page) before use.
- \* RoHS2 compliance
- \* Dimensional unit: mm
- \* Contact JST for details.

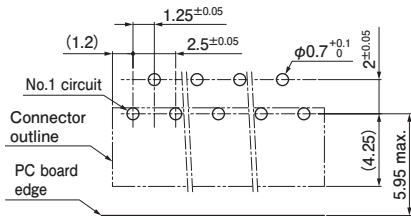
## ■ Standards

For information on overseas standard registrations, please refer to the "List of Registered Overseas Standards" on our website (listed in the "Technical Documents" column on the Product Information page).

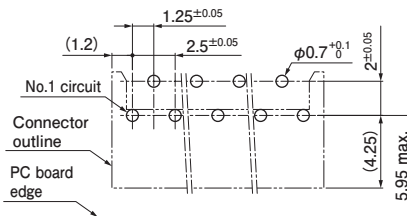
- \* Specifications registered to overseas standards may differ from the general specifications listed above.

## PC board layout and Assembly layout

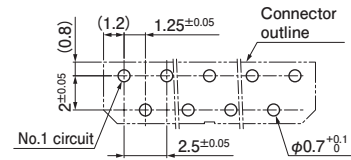
### Plug Without stopper



### Plug With stopper

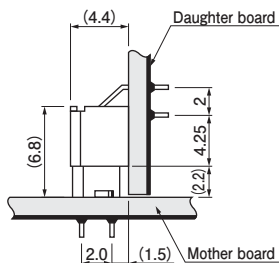


### Socket

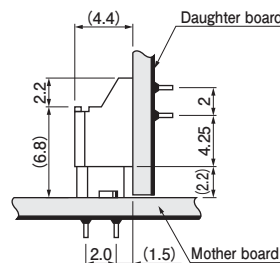


- Note: 1. The PC board layout figure shown is viewed from the connector mounting surface.  
 2. Tolerance for the PCB hole pitch shall be  $\pm 0.05$  and shall not accumulate.  
 3. Hole dimensions differ depending on the type of PCB and PCB drilling method.  
 The above dimensions are for reference only. Please contact JST for further details.

### When using the plug without stopper

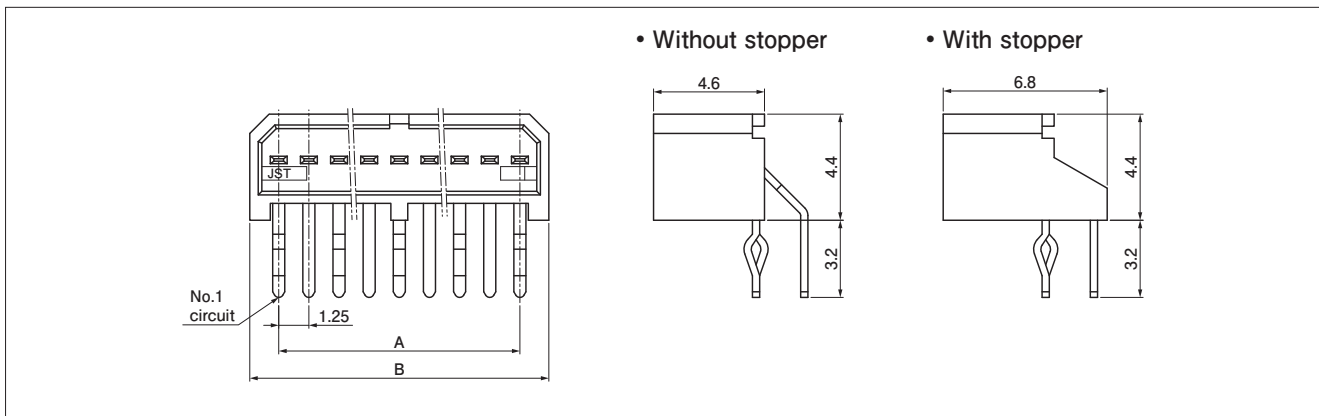


### When using the plug with stopper



- Note: The daughter board needs to be secured.  
 For details on the securing method, please contact JST.

## Plug



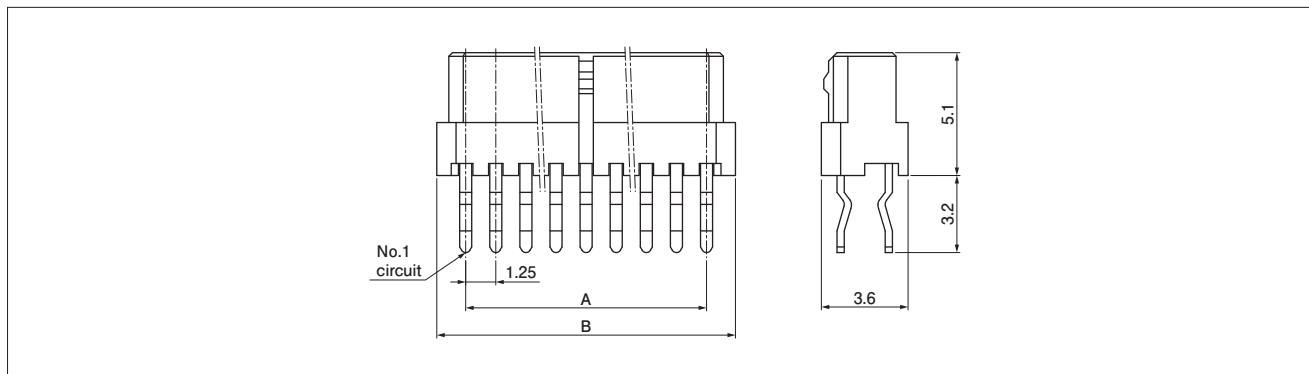
No. of circuits	Model No.		Dimensions (mm)		Q'ty/box
	Without stopper	With stopper	A	B	
5	05PS-JE	05PSL-JE	5.0	7.4	1,400
7	—	07PSL-JE	7.5	9.9	1,050
9	09PS-JE	09PSL-JE	10.0	12.4	800
11	—	11PSL-JE	12.5	14.9	700
13	—	13PSL-JE	15.0	17.4	600
15	—	15PSL-JE	17.5	19.9	500
17	—	17PSL-JE	20.0	22.4	450
19	—	19PSL-JE	22.5	24.9	400

Material and Surface finish, etc.

Contact: Copper alloy, tin-plated  
 Housing: PA (GF)

Note: For flame retardant grade of resin material used, please refer to the "List of Registered Overseas Standards" on our website (listed in the "Technical Documents" column on the Product Information page).

## Socket



No. of circuits	Model No.	Dimensions (mm)		Q'ty/box
		A	B	
5	05R-JE	5.0	7.4	1,000
7	07R-JE	7.5	9.9	1,000
9	09R-JE	10.0	12.4	1,700
11	11R-JE	12.5	14.9	1,400
13	13R-JE	15.0	17.4	1,200
15	15R-JE	17.5	19.9	1,000
17	17R-JE	20.0	22.4	900
19	19R-JE	22.5	24.9	800

### Material and Surface finish, etc.

Contact: Copper alloy, tin-plated  
Housing: PA (GF)

- Note: 1. This product displays (LF)(SN) on a label.  
2. For flame retardant grade of resin material used, please refer to the "List of Registered Overseas Standards" on our website (listed in the "Technical Documents" column on the Product Information page).