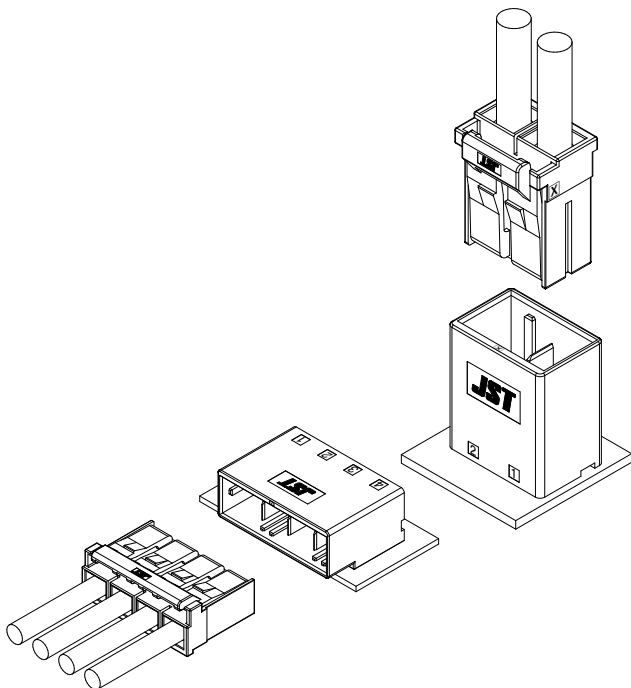


JFPS CONNECTOR

8.8 mm pitch/Disconnectable Crimp style connectors



Small type connector for large current.
This connector corresponds the rated current of 35 A at 2 circuits and is board-to-wire connector.

- Compact and space saving design
- Mis-mating prevention key
- Secure locking structure

Standards

Ⓡ: Recognized E 60389

Specifications

• Current rating: AC/DC

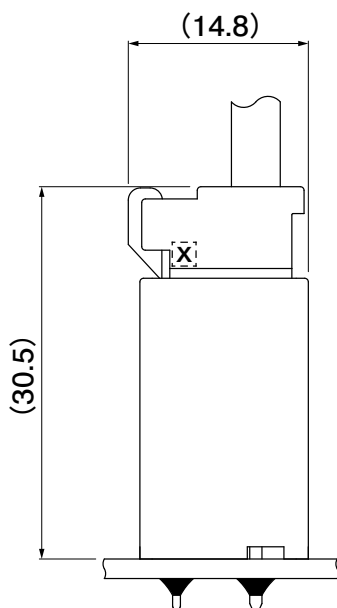
Current unit: A

No. of circuits	Wire size (AWG)			
	#10	#12	#14	#16
1	35	28	21	17
2	35	28	21	17
3	30	20	19	16
4	28	20	18	15

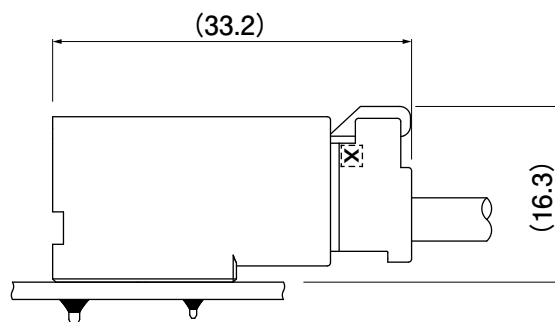
- Voltage rating: 600 VAC/DC
- Temperature range: -40°C ~ + 105°C
 (including temperature rise in applying electrical current)
- Contact resistance: Initial value/ 2 mΩ max.
 After environmental tests/ 2 mΩ max.
- Insulation resistance: 1,000 MΩ min.
- Withstanding voltage: 2,200 VAC/minute
- Applicable wire: Conductor size/ AWG #16 to #10
- * Please note that the above general specifications may differ from the safety standards.
- * In using the products, refer to "Handling Precautions for Terminals and Connectors" described on our website (Technical documents of Product information page).
- * RoHS2 compliance
- * Dimensional unit: mm
- * Contact JST for details.

Assembly layout

● Header (Top entry type)

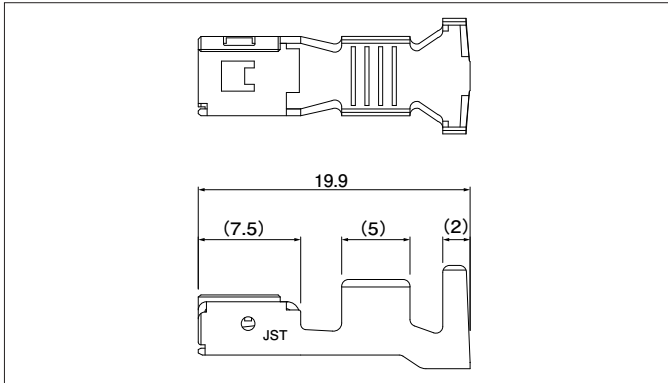


● Header (Side entry type)



JFPS CONNECTOR

Receptacle contact



Strip contact Model No.	Plating	Applicable wire			Insulation O.D (mm)	Q'ty/ reel
		Size	mm ²	AWG#		
SJFPS-71GG-M1.0	Gold	M	1.25~2.0	16~14	3.1~4.0	1,500
SJFPS-81GG-M1.0	Gold	L	3.5~5.5	12~10	4.0~5.3	1,500
SJFPS-81T-M1.0	Tin					

Material and Finish

Copper alloy, nickel-undercoated, selective gold-plated
tin-plated (reflow treatment)

RoHS2 compliance

Note) Please note that the above general specifications may differ from the safety standards.

Crimping machine, Applicator

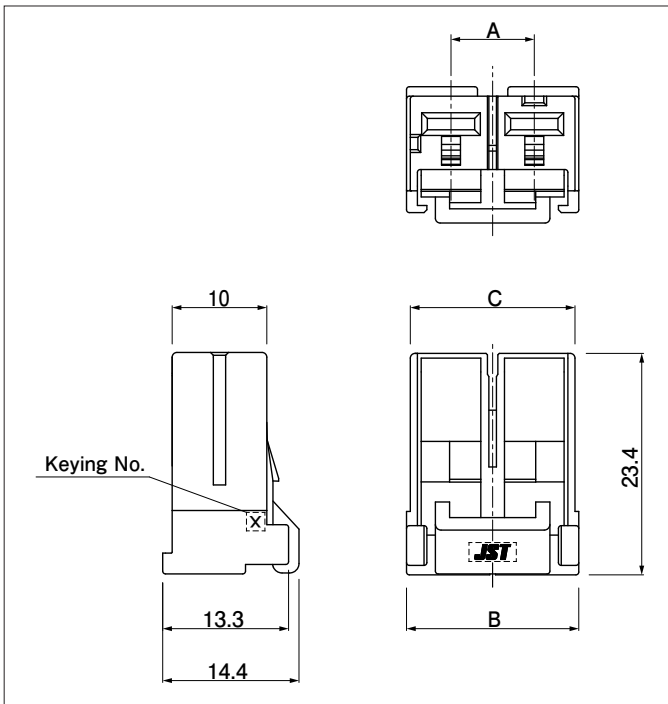
Strip contact Model No	Crimping machine	Applicator		
		Crimp applicator	Dies	Crimp applicator with dies
SJFPS-71GG-M1.0	AP-K2N	MKS-L-SIN3	MK/SJFPS-71-10	APLMK SJFPS71-10
SJFPS-81(*)-M1.0			MK/SJFPS-81-10	APLMK SJFPS81-10

Note: 1. Surface finish (*): GG . . . Nickel-undercoated, selective gold-plated
T . . . Tin-plated (reflow treatment)

2. Contact JST for fully automatic crimping applicator.

● Extraction tool for JFPS connector : EJ-JFPSR

Receptacle housing



No. of circuits	Keying	Model No.	Dimensions			Q'ty/ bag
			A	B	C	
1	X	JFPSRS-01WGT-EX	—	9.4	8.6	400
	Y	JFPSRS-01WGT-KX	—	9.4	8.6	400
	Z	JFPSRS-01WGT-MZ	—	9.4	8.6	400
2	X	JFPSRS-02V-EX	8.8	18.2	17.4	200
	Y	JFPSRS-02V-KY	8.8	18.2	17.4	200
3	X	JFPSRS-03V-EX	17.6	27.0	26.2	125
	Y	JFPSRS-03V-KY	17.6	27.0	26.2	125
4	X	JFPSRS-04V-EX	26.4	35.8	35.0	100
	Y	JFPSRS-04V-KY	26.4	35.8	35.0	100

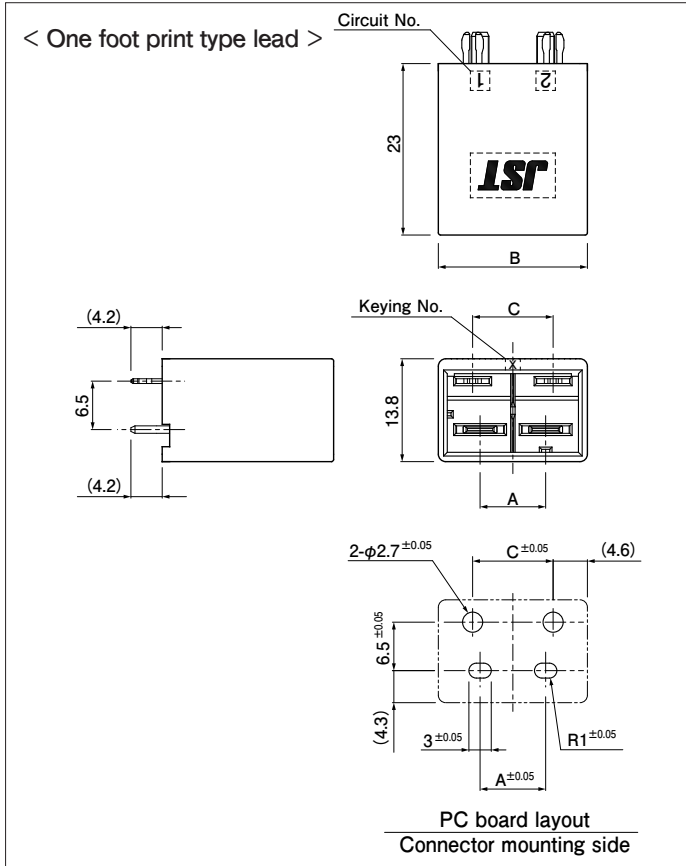
Material and Finish

Single-circuit: PA 66 (Glass-filled), UL94V-0
2-, 3-, 4-circuit: PBT (Glass-filled), UL94V-0

RoHS2 compliance

JFPS CONNECTOR

Header (Top entry type)



No. of circuits	Plating	Keying	Model No.	Dimensions (mm)			Q'ty/box
				A	B	C	
2	Gold	X	BC02B-JFPSE-GHXS	8.8	20.0	10.8	132
		Y	BC02B-JFPSK-GHYS	8.8	20.0	10.8	132
	Tin	X	BC02B-JFPSE-TXS	8.8	20.0	10.8	132
		Y	BC02B-JFPSK-TYS	8.8	20.0	10.8	132
3	Gold	X	BC03B-JFPSE-GHXS	17.6	28.8	19.6	84
		Y	BC03B-JFPSK-GHYS	17.6	28.8	19.6	84
	Tin	X	BC03B-JFPSE-TXS	17.6	28.8	19.6	84
		Y	BC03B-JFPSK-TYS	17.6	28.8	19.6	84
4	Gold	X	BC04B-JFPSE-GHXS	26.4	37.6	28.4	60
		Y	BC04B-JFPSK-GHYS	26.4	37.6	28.4	60

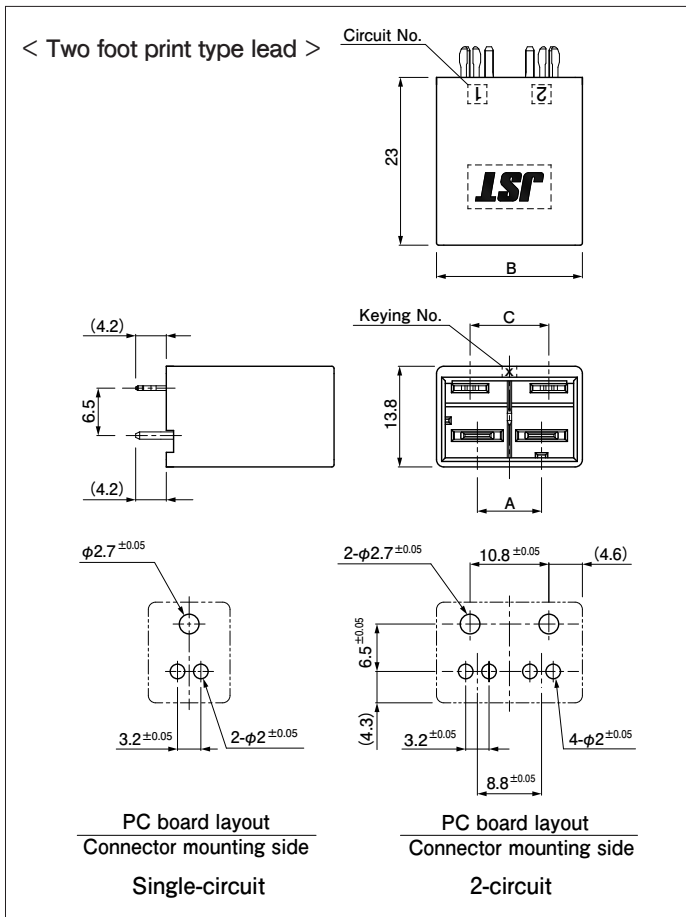
Material and Finish

Contact: Copper alloy, nickel-undercoated, gold-plated
copper-undercoated, tin-plated (reflow treatment)

Housing: PA 66 (Glass-filled) , UL94V-0

Reinforcement: Copper alloy, copper-undercoated, tin-plated (reflow treatment)

RoHS2 compliance



No. of circuits	Plating	Keying	Model No.	Dimensions (mm)			Q'ty/box
				A	B	C	
1	Tin	X	BC01B-JFPSE-TX	—	11.2	—	228
		Y	BC01B-JFPSK-TY	—	11.2	—	228
		Z	BC01B-JFPSM-TZ	—	11.2	—	228
2	Tin	X	BC02B-JFPSE-TX	8.8	20.0	10.8	132
		Y	BC02B-JFPSK-TY	8.8	20.0	10.8	132

Material and Finish

Contact: Copper alloy, copper-undercoated, tin-plated (reflow treatment)

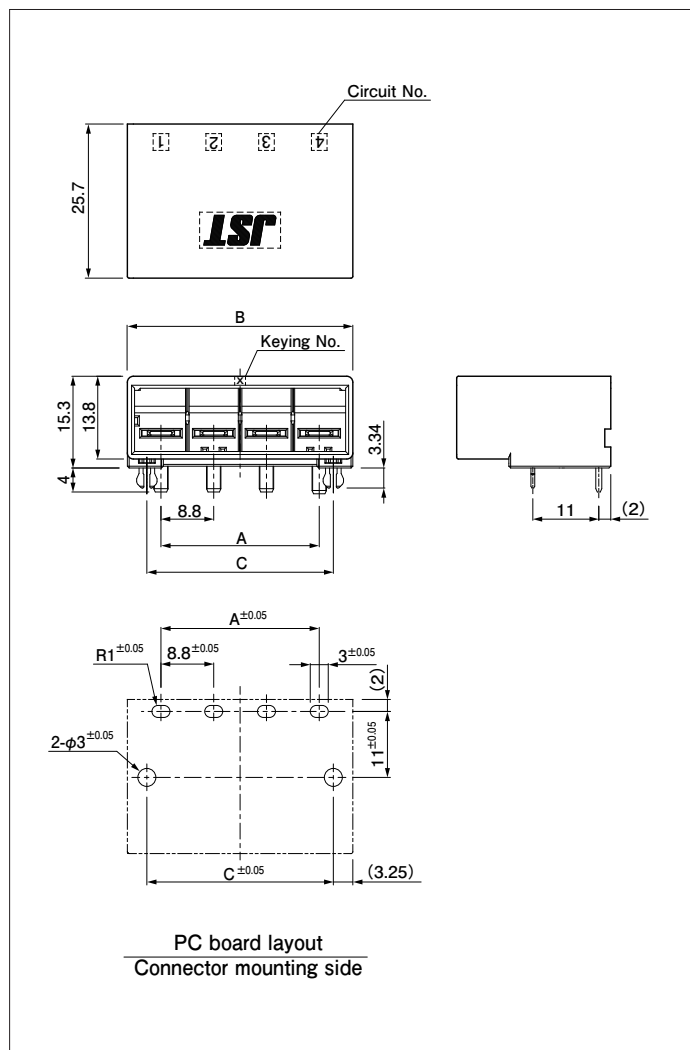
Housing: PA 66 (Glass-filled) , UL94V-0

Reinforcement: Copper alloy, copper-undercoated, tin-plated (reflow treatment)

RoHS2 compliance

JFPS CONNECTOR

Header (Side entry type)



No. of circuits	Plating	Keying	Model No.	Dimensions (mm)			Q'ty/box
				A	B	C	
4	Gold	X	* SC04B-JFPSE-GHXS	26.4	37.6	31.1	48
		Y	* SC04B-JFPSK-GHYS	26.4	37.6	31.1	48

Material and Finish

Contact: Copper alloy, nickel-undercoated, gold-plated

Housing: PA 66 (Glass-filled) , UL94V-0

Reinforcement: Copper alloy, copper-undercoated, tin-plated (reflow treatment)

RoHS2 compliance

Note * : Unlisted in UL.

Model number allocation

Receptacle contact

S JFPS - 81 T - M 1.0

Product form: S...Strip form

Connector name

Applicable wire: 71...AWG #16 to #14
81...AWG #12 to #10

Surface finish: GG...Nickel-undercoated, 0.38 μm selective gold-plated
T...Tin-plated (reflow treatment)

Material: M...Copper alloy

Terminal size

Receptacle housing

JFPS RS - 02 V - E X

Connector name

Part name: Receptacle housing

No. of circuits: 1, 2, 3, 4

Flammability: V...UL94V-0
WGT...Compatible with glow wire test, UL94V-0

Color indication: E...Blue, K...Black, M...Green

Keying: X...X-Keying, Y...Y-Keying, Z...Z-Keying

Header

BC 02 B - JFPS E - T X S

Product form:
BC...Top type center locking
CS...Side type center locking

No. of circuits: 1, 2, 3, 4

Assembly product

Connector name

Color indication: E... Blue, K... Black, M... Green

Surface finish of terminal:
GH...Nickel-undercoated, 0.38 μm selective gold-plated
T...Tin-plated (reflow treatment)

Keying: X... X-Keying, Y... Y-Keying, Z... Z-Keying

Lead shape: S...One foot print type lead, None...Two foot print type lead