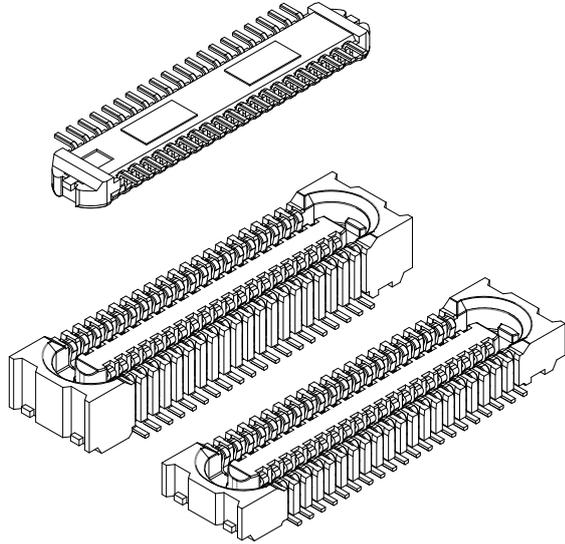




JKGN CONNECTOR

0.35 mm pitch / For Wire-to-Board / Board-to-Board



The JKGN series is a fine pitch connector for board-to-board and board-to-FPC connections. With a low-profile construction and a pitch of only 0.35 mm, it features mated heights of 1.0 mm and 1.5 mm and a width of 2.88 mm.

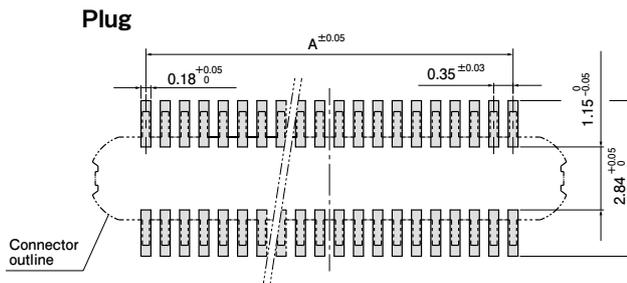
■ Features

- Contact lock mechanism for secure high retention force
- 2-point contact provides high reliability
- Secure wiring space at the bottom of the contact (No pattern prohibited area)
- Applicable for 0.5 A / pin
- A tight 2-point contact structure transmits a clear clicking sensation upon mating the plug and receptacle.

■ Specifications

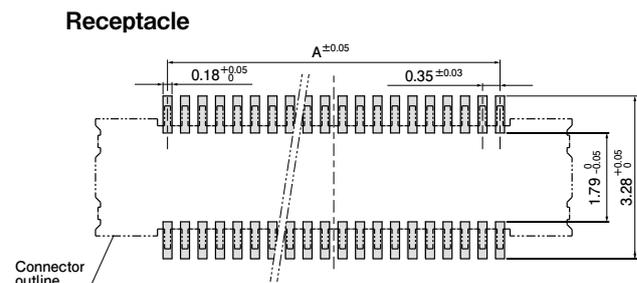
- Current rating: 0.5 A AC/DC
 - Voltage rating: 30 V AC/DC
 - Temperature range: -25°C to +105°C (including temperature rise in applying electrical current)
 - Contact resistance: Initial value/ 50 mΩ max. After environmental tests/ 80 mΩ max.
 - Insulation resistance: 100 MΩ min.
 - Withstanding voltage: There shall be no breakdown or flashover while applying 100 VAC for one minute.
- * Please refer to the "Handling Precautions for Terminals and Connectors" on our website (listed in the "Technical Documents" column on the Product Information page) before use.
- * RoHS2 compliance
- * Dimensional unit: mm
- * Contact JST for details.

PC board layout



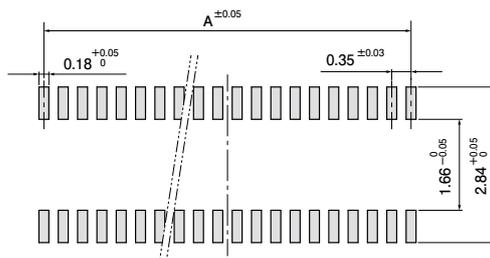
Recommended PC board layout

- Metal mask thickness 100 to 120 μm

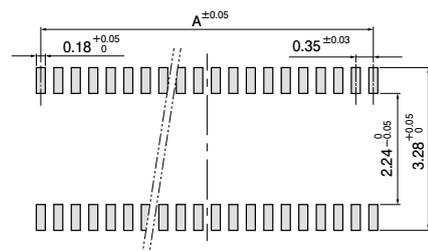


Recommended PC board layout

- Metal mask thickness 100 to 120 μm



Recommended metal mask layout

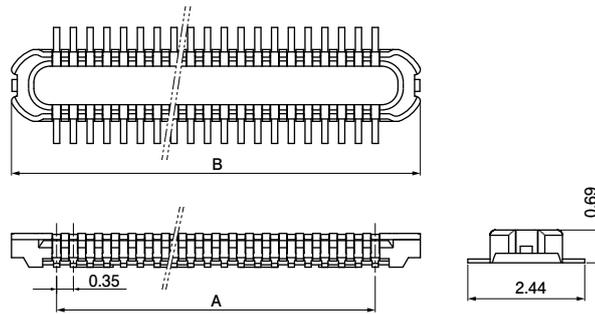


Recommended metal mask layout

Note: 1. The PC board layout figure shown is viewed from the connector mounting surface.
 2. Tolerances for the PCB pattern pitch shall be ± 0.03 and shall not accumulate.
 3. When using N2 reflow method, please confirm mounting conditions before use.

JKGN CONNECTOR

Plug

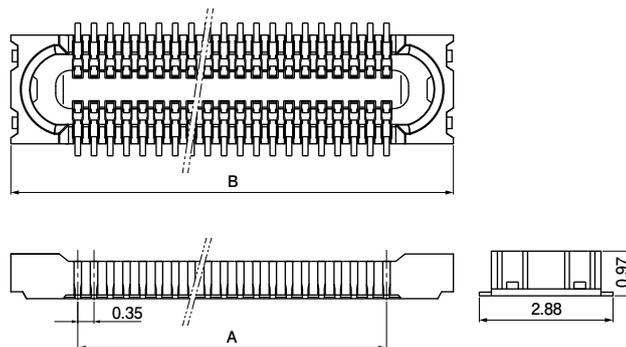


No. of circuits	Model No.	Dimensions (mm)		Q'ty/reel	Material and Surface finish, etc.
		A	B		
30	30P-JKGNK-GAN-ETF(HF)	4.90	6.78	9,000	Contact: Copper alloy, selective gold-plated Housing: LCP Other: Copper alloy
40	40P-JKGNK-GAN-ETF(HF)	6.65	8.53	9,000	
60	60P-JKGNK-GAN-ETF(HF)	10.15	12.03	9,000	
70	70P-JKGNK-GAN-ETF(HF)	11.90	13.78	9,000	
90	90P-JKGNK-GAN-ETF(HF)	15.40	17.28	9,000	

Note: This product is supplied on embossed tape and reel packaging.

Receptacle

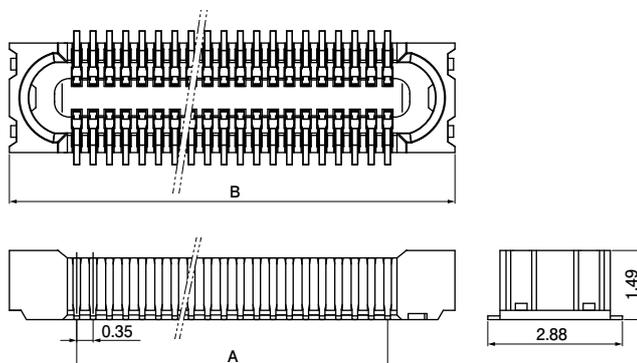
For 1.0 mm mating height



No. of circuits	Model No.	Dimensions (mm)		Q'ty/reel	Material and Surface finish, etc.
		A	B		
40	40R1.0-JKGNK-GAN-ETF(HF)	6.65	9.53	7,400	Contact: Copper alloy, selective gold-plated Housing: LCP Other: Copper alloy
60	60R1.0-JKGNK-GAN-ETF(HF)	10.15	13.03	7,400	
90	90R1.0-JKGNK-GAN-ETF(HF)	15.40	18.28	7,400	

Note: This product is supplied on embossed tape and reel packaging.

For 1.5 mm mating height



No. of circuits	Model No.	Dimensions (mm)		Q'ty/reel	Material and Surface finish, etc.
		A	B		
30	30R1.5-JKGNK-GAN-ETF(HF)	4.90	7.78	6,000	Contact: Copper alloy, selective gold-plated Housing: LCP Other: Copper alloy
40	40R1.5-JKGNK-GAN-ETF(HF)	6.65	9.53	6,000	
60	60R1.5-JKGNK-GAN-ETF(HF)	10.15	13.03	6,000	
70	70R1.5-JKGNK-GAN-ETF(HF)	11.90	14.78	6,000	
90	90R1.5-JKGNK-GAN-ETF(HF)	15.40	18.28	6,000	

Note: This product is supplied on embossed tape and reel packaging.