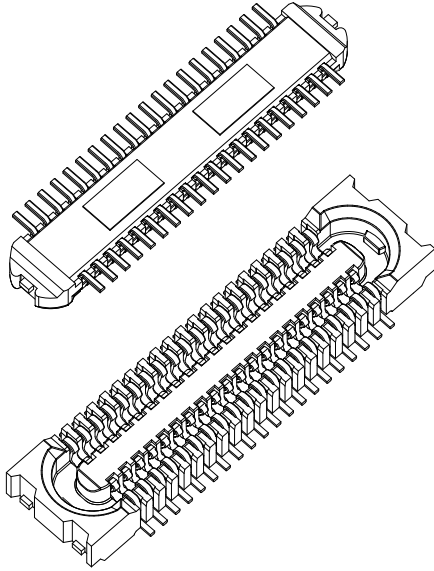




JKGN CONNECTOR

0.35 mm pitch /For PC Board/Board-to-Board connection



This connector is 0.35 mm pitch board-to-board (FPC) connection connector with mounting height 1.0 mm, product width 2.88 mm.

■ Features

- Contact lock mechanism for secure high retention force
- 2-point contact provides high reliability
- Secure wiring space at the bottom of the contact (No pattern prohibited area)
- Applicable for 0.5 A / pin
- Clear click feeling when mating

■ Specifications

- Current rating: 0.5 A AC/DC
- Voltage rating: 30 V AC/DC
- Temperature range: -25°C to +85°C
(including temperature rise in applying electrical current)
- Contact resistance: Initial value/ 50 mΩ max.
After environmental tests/ 80 mΩ max.
- Insulation resistance: 10 MΩ min.
- Withstanding voltage: There shall be no breakdown or flashover while applying 100 VAC for one minute.

* In using the products, refer to "Handling Precaution for Terminated and Connectors" described on our website (Technical documents of Product information page).

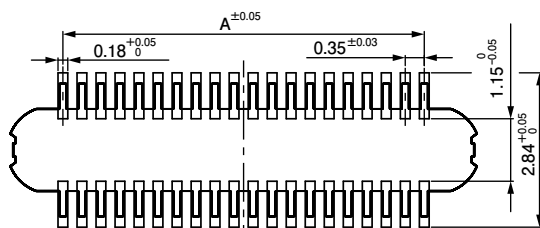
* RoHS2 compliance

* Dimensional unit: mm

* Contact JST for details.

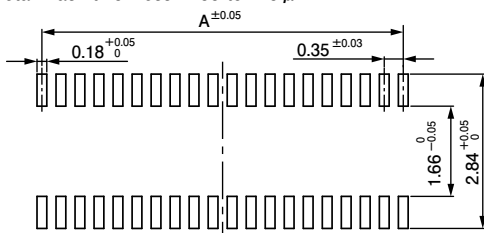
PC board layout

Plug



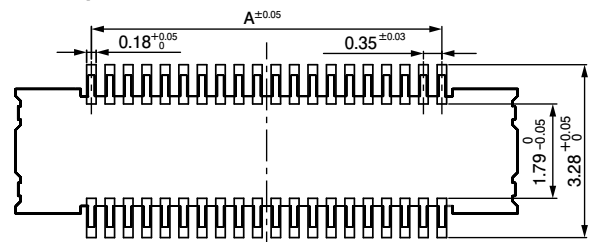
PC board layout

• Metal mask thickness 100 to 120 μm



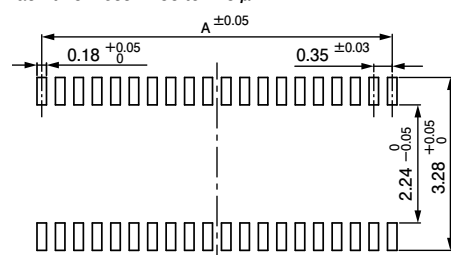
Metal mask layout

Receptacle



PC board layout

• Metal mask thickness 100 to 120 μm

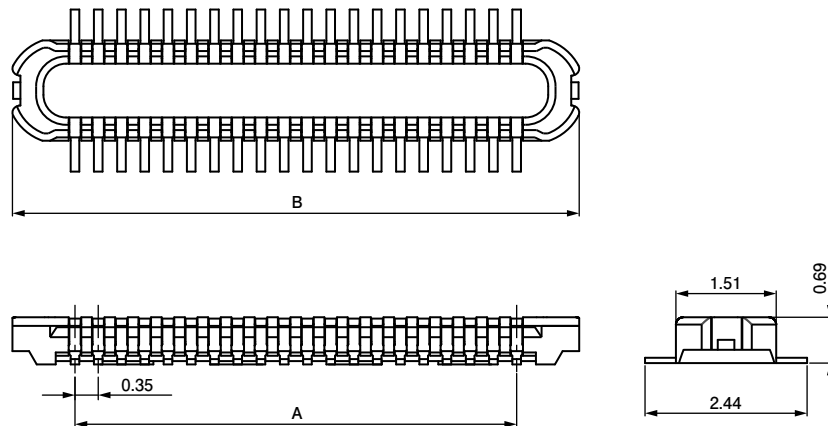


Metal mask layout

- Note: 1. PC board layout is the figure viewed from the connector mounting side.
 2. Tolerances for the PCB pattern pitch shall be ± 0.03 and shall not accumulate.
 Please contact JST for details as the dimensions shown in the above figure are reference values.
 3. Contact JST for nitrogen (N2) reflow soldering.

JKGN CONNECTOR

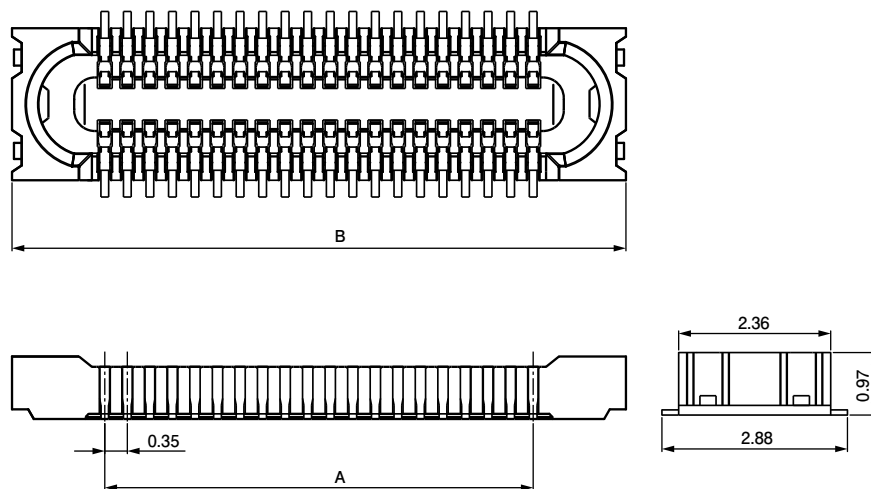
Plug



No. of circuits	Model No.	Dimensions (mm)		Q'ty/reel	Material and Finish
		A	B		
40	40P-JKGNK-GAN-ETF(HF)	6.65	8.53	9,000	Contact: Copper alloy, nickel-undercoated, gold-plated Housing: LCP, UL94V-0 Other: Brass
60	60P-JKGNK-GAN-ETF(HF)	10.15	12.03	9,000	
90	90P-JKGNK-GAN-ETF(HF)	15.4	17.28	9,000	

Note: The products listed above are supplied on embossed-tape.

Receptacle



No. of circuits	Model No.	Dimensions (mm)		Q'ty/reel	Material and Finish
		A	B		
40	40R1.0-JKGNK-GAN-ETF(HF)	6.65	9.53	7,400	Contact: Copper alloy, nickel-undercoated, gold-plated Housing: LCP, UL94V-0 Other: Brass
60	60R1.0-JKGNK-GAN-ETF(HF)	10.15	13.03	7,400	
90	90R1.0-JKGNK-GAN-ETF(HF)	15.4	18.28	7,400	

Note: The products listed above are supplied on embossed-tape.