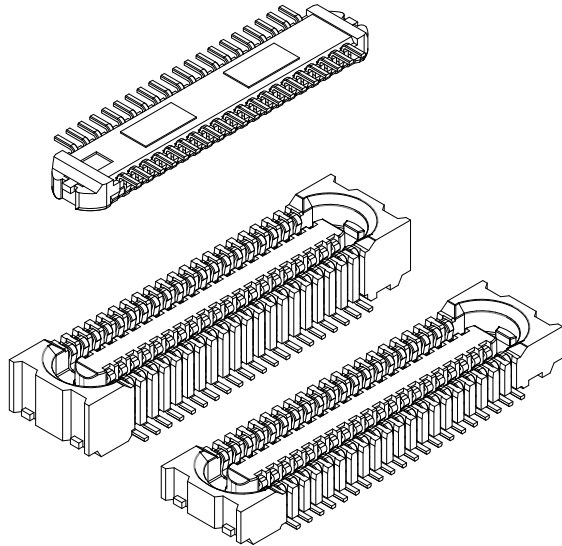


JKGN CONNECTOR

0.35 mm pitch / Board-to-Board connectors



This connector is 0.35 mm pitch board-to-board (FPC) connection connector with mounting height 1.0 mm or 1.5 mm, product width 2.88 mm.

Features

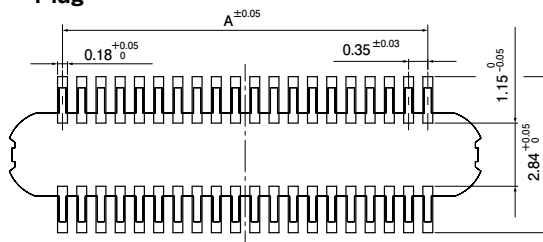
- Contact lock mechanism for secure high retention force
- 2-point contact provides high reliability
- Secure wiring space at the bottom of the contact (No pattern prohibited area)
- Applicable for 0.5 A / pin
- Clear click feeling when mating

Specifications

- Current rating: 0.5 A AC/DC
 - Voltage rating: 30 V AC/DC
 - Temperature range: -25°C to +85°C (including temperature rise in applying electrical current)
 - Contact resistance: Initial value/ 50 mΩ max. After environmental tests/ 80 mΩ max.
 - Insulation resistance: 10 MΩ min.
 - Withstanding voltage: There shall be no breakdown or flashover while applying 100 VAC for one minute.
- * Please refer to the "Handling Precautions for Terminals and Connectors" on our website (listed in the "Technical Documents" column on the Product Information page) before use.
- * RoHS2 compliance
- * Dimensional unit: mm
- * Contact JST for details.

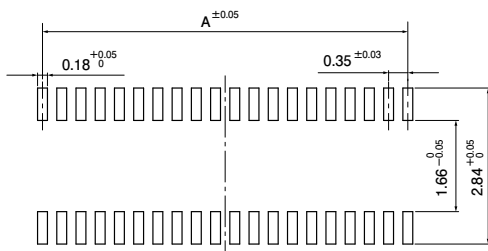
PC board layout

Plug



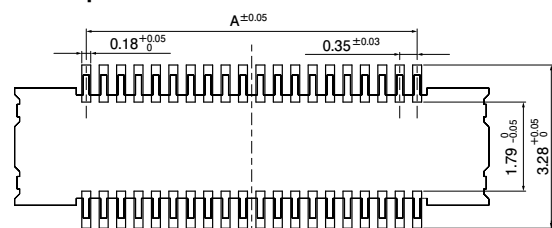
PC board layout

- Metal mask thickness 100 to 120 μm



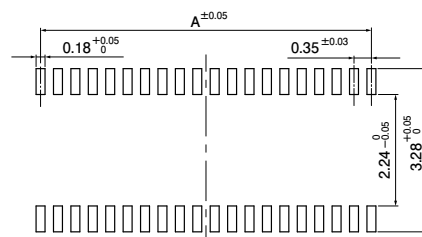
Metal mask layout

Receptacle



PC board layout

- Metal mask thickness 100 to 120 μm

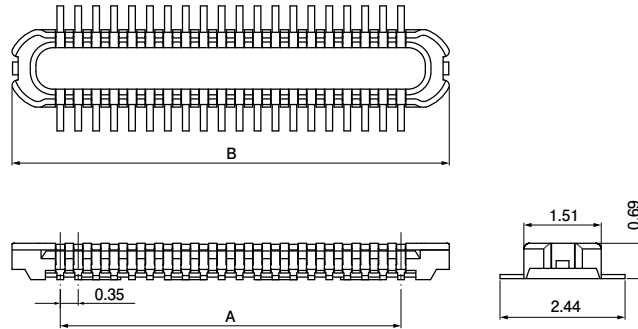


Metal mask layout

Note: 1. PC board layout is the figure viewed from the connector mounting side.
 2. Tolerances for the PCB pattern pitch shall be ± 0.03 and shall not accumulate.
 The above dimensions are reference values. Please contact JST for details.
 3. Contact JST for nitrogen (N2) reflow soldering.

JKGN CONNECTOR

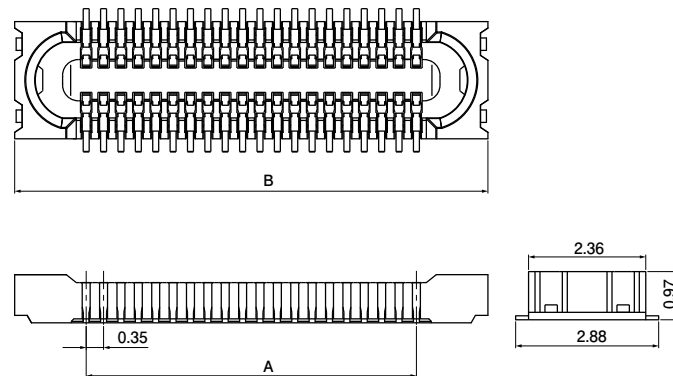
Plug



No. of circuits	Model No.	Dimensions (mm)		Q'ty/reel	Material and Surface finish, etc.
		A	B		
40	40P-JKGNK-GAN-ETF(HF)	6.65	8.53	9,000	Contact: Copper alloy, nickel-undercoated, gold-plated Housing: LCP, UL94V-0 Other: Brass
60	60P-JKGNK-GAN-ETF(HF)	10.15	12.03	9,000	
70	70P-JKGNK-GAN-ETF(HF)	11.9	13.78	9,000	
90	90P-JKGNK-GAN-ETF(HF)	15.4	17.28	9,000	

Note: This product is supplied on embossed tape and reel packaging.

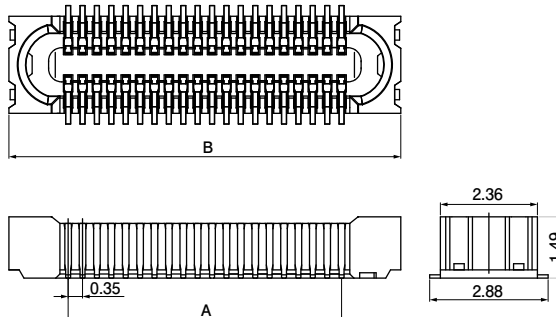
Receptacle



No. of circuits	Model No.	Dimensions (mm)		Q'ty/reel	Material and Surface finish, etc.
		A	B		
40	40R1.0-JKGNK-GAN-ETF(HF)	6.65	9.53	7,400	Contact: Copper alloy, nickel-undercoated, gold-plated Housing: LCP, UL94V-0 Other: Brass
60	60R1.0-JKGNK-GAN-ETF(HF)	10.15	13.03	7,400	
90	90R1.0-JKGNK-GAN-ETF(HF)	15.4	18.28	7,400	

Note: This product is supplied on embossed tape and reel packaging.

1.5 mm height [Reference]



No. of circuits	Model No.	Dimensions (mm)		Q'ty/reel	Material and Surface finish, etc.
		A	B		
70	70R1.5-JKGNK-GAN-ETF(HF)	11.9	14.78	6,000	Contact: Copper alloy, nickel-undercoated, gold-plated Housing: LCP, UL94V-0 Other: Brass

Note: This product is supplied on embossed tape and reel packaging.