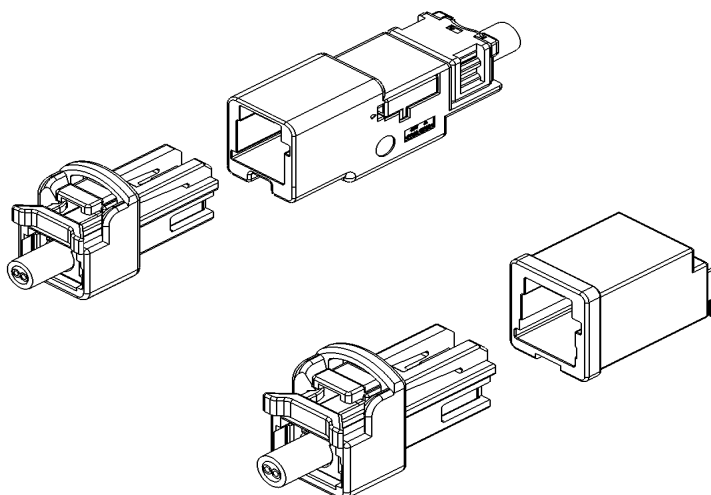


Fully compatible and designed based on requirements from the Open Alliance TC9 (1000BASE-T1)

■ Features

- **Transmission Speed**
Applicable to Max 1Gbps(1000BASE-T1) by using UTP wire cable
- **Adopted a Preset Structure with Retainer and CPA Built into the Housing**
- **(Optional) Connector Position Assurance, CPA**
- **Through Hole Reflow**
- **Support to 6 Key Codes**

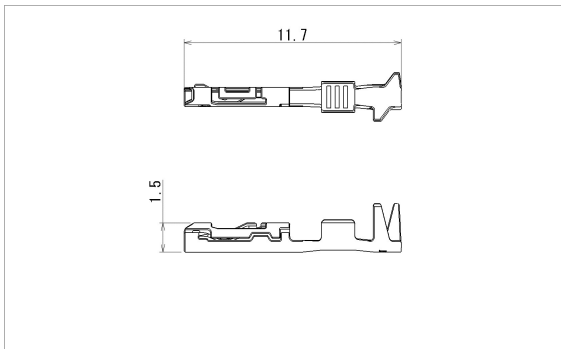


■ Specifications

- **Current rating** : 3A max.(0.13~0.22sq)
- **Withstanding voltage** : 1000 VAC /minute
- **Temperature range** : -40°C to +105°C
(including temperature rise in applying electrical current)
- **Insulation resistance** : 100 MΩ min.
- **Applicable wire** : UTP wire cable
※Contact JST for details.
- **Transmission Speed** : 100Mbps~1Gbps
- **Characteristic impedance** : 100Ω

*Compliant with ELV/RoHS2.
*Contact JST for details.

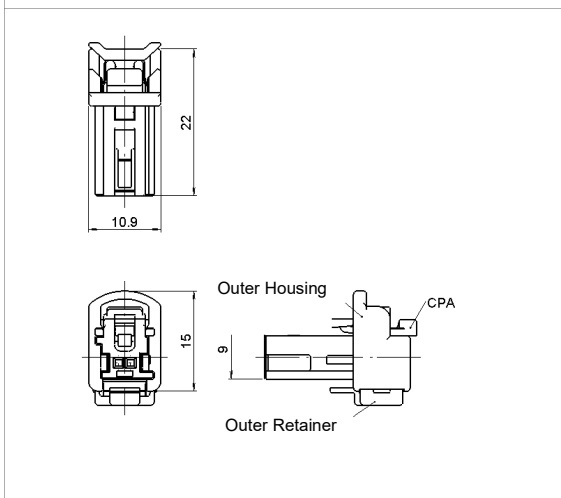
Female Terminal



Model No.	Applicable wire range		Q'ty/reel
	Conductor (mm ²)	Insulation O.D. (mm)	
SWMC-A011T-0.5	0.22	1.0~1.4	10,000

Material and Finish
Copper alloy, tin-plated

Female Outer Connector

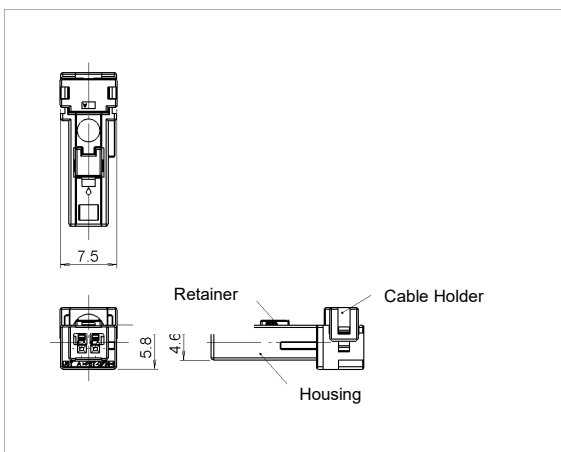


Circuits	Model No.	Housing Color	Q'ty/box
2	JREROB-02-1A-K	Black	※①

Material
Housing : Glass-filled PA
Outer Retainer : Glass-filled PBT (Yellow)
CPA : Glass-filled PBT (Red)

※① Contact JST for details.

Female Inner Connector



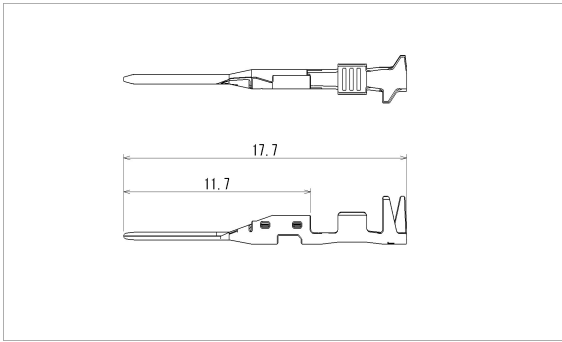
Circuits	Model No.	Housing Color	Q'ty/box
2	JRERIB-02-1A-K	Black	※①

Material
Housing : Glass-filled PA
Retainer : Glass-filled PBT (Natural)
Cable Holder : Glass-filled PA (Pink)

※① Contact JST for details.

JRE CONNECTOR

Male Terminal



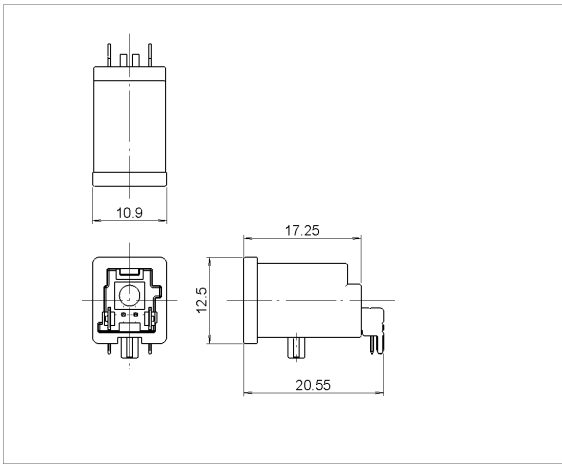
Model No.	Applicable wire range		Q'ty/reel
	Conductor (mm ²)	Insulation O.D. (mm)	
SWMCW-A011T-0.5	0.22	1.0~1.4	10,000

Material and Finish

Copper alloy, tin-plated

※① Contact JST for details.

Male Connector



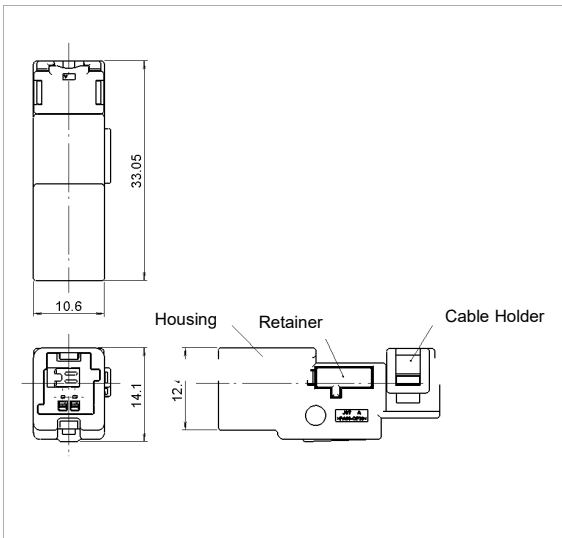
Circuits	Model No.	Housing Color	Q'ty/box
2	SM02B-JREKS-1A	Black	※①

Material and Finish

Housing : Glass-filled PA
 Male Terminal : Copper alloy, tin-plated
 Tab : Copper alloy, tin-plated

※① Contact JST for details.

Male Connector Wire-to-Wire



Circuits	Model No.	Housing Color	Q'ty/box
2	JREPB-02-1A-K	Black	※①

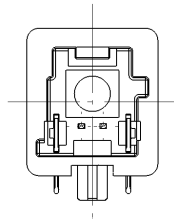
Material

Housing : Glass-filled PA
 Retainer : Glass-filled PBT (Yellow)
 Cable Holder : Glass-filled PA (Pink)

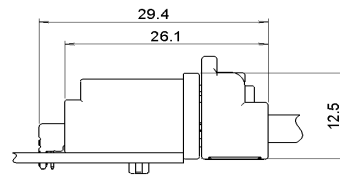
※① Contact JST for details.

PC board layout (Viewed from component side), Assembly layout

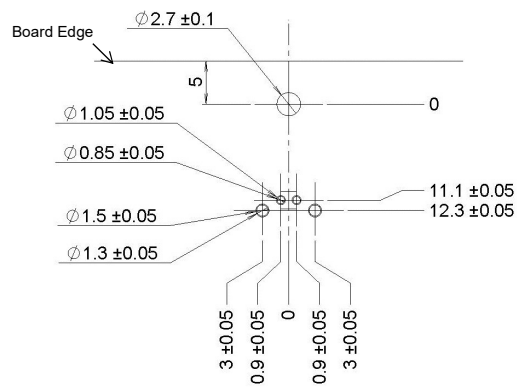
Side Entry Type



Assembly layout



PC board layout



Crimping machine, Applicator

Strip terminal	Crimping machine	Crimp applicator MKS-L
SWMC-A011T-0.5	AP-K2N	MKS-L-JRE-2WM
SWMCW-A011T-0.5		

Note: 1. Contact JST for details.

2. When crimping operation is conducted using an applicator and die set other than the above, JST cannot guarantee the performance of the terminal.