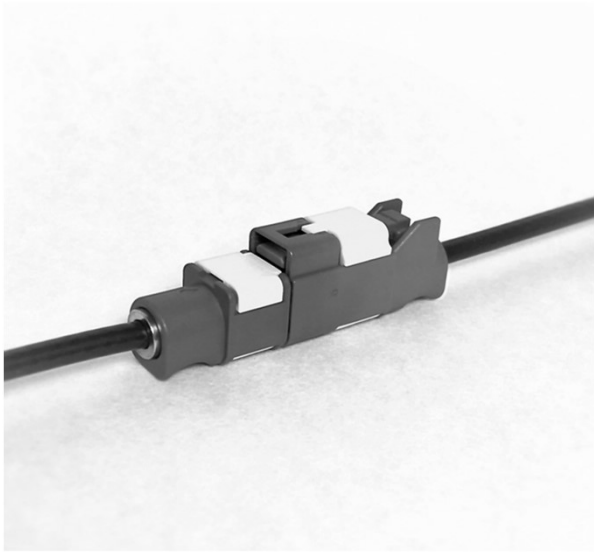


# JRF CONNECTOR

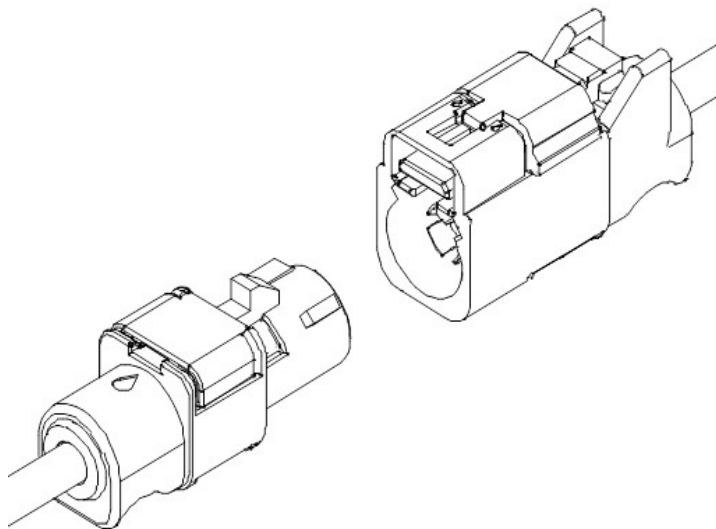
Wire-to-wire · High frequency



Fully compatible and designed based on requirements from the FAKRA RF and USCAR standards for telematics and automotive communications technology.

## ■ Features

- Interface Compatible with USCAR-18, ISO20860-1
- 14 Key Codes
- Unsealed Inline Connector
- Superb high-frequency performance  
VSWR achieves 1.5 MAX.  
Insertion Loss achieves 0.45 MAX.



## ■ Key Codes (Male side)

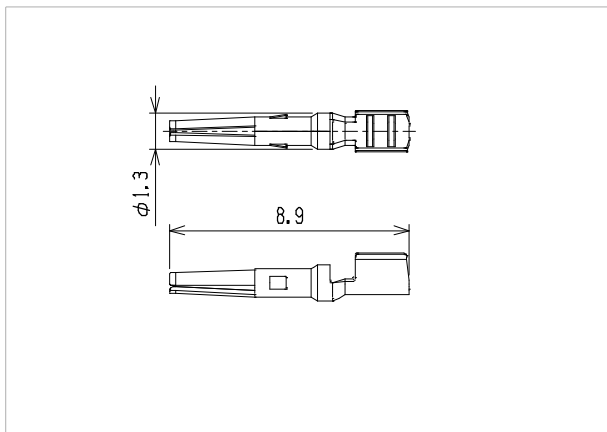
A	B	C	D	E
F	G	H	I	K
L	M	N	Z	

## ■ Specifications

- Current rating : 1A max.
- Withstanding voltage : 800 VAC /minute
- Temperature range : -40°C to +105°C  
(including temperature rise in applying electrical current)
- Contact resistance : Center Contact  
Initial value/ 5 mΩ max.  
After environmental tests/ 24 mΩ max.  
Outer Contact  
Initial value/ 5 mΩ max.  
After environmental tests/ 6 mΩ max.
- Insulation resistance : 100 MΩ min.
- Applicable wire : Shikoku Cable EM-1.5DS-QFBE S
- Frequency : DC~6GHz
- Characteristic impedance : 50Ω

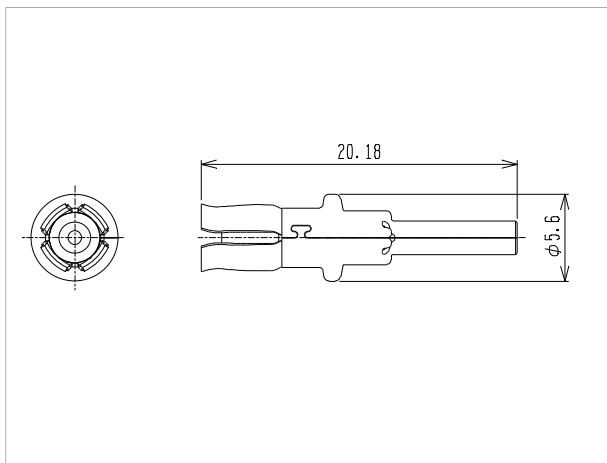
\*Compliant with ELV/RoHS2.  
\*Contact JST for details.

**Female Center Contact**



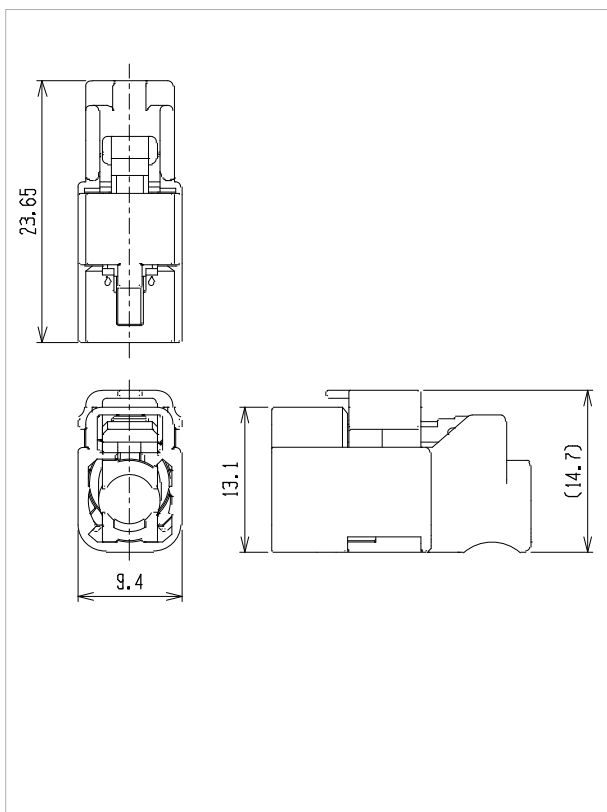
Model No.	Q'ty/reel
<b>SJRF-C1.5D0GG-P0.5</b>	35,000
Material and Finish	
Phosphor Bronze, Nickel-Undercoated, Contact Area: Au-Plated Barrel Area : Tin-Plated (Reflow Treatment)	

**Female Outer Contact Assy**



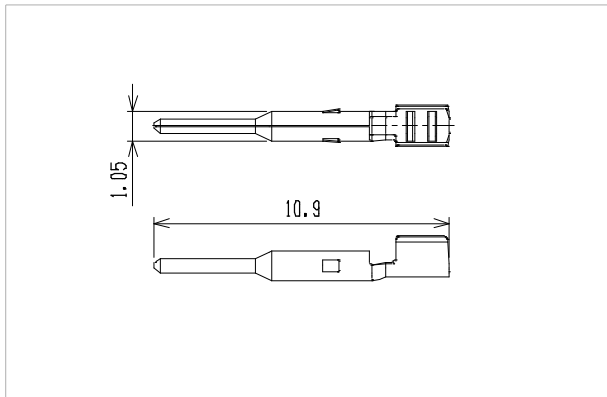
Model No.	Q'ty/reel
<b>JRFRSI-01-1A</b>	2,500
Material and Finish	
Outer Contact : Phosphor Bronze, Cu-Undercoated, Tin-Plated (Reflow Treatment) Insulator : COC	

**Female Housing Assy**



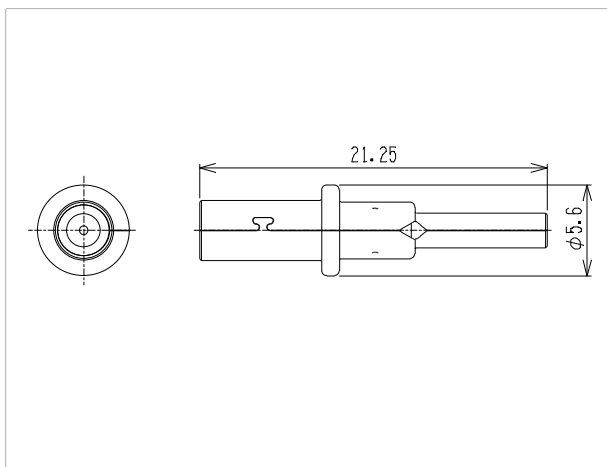
Key Code	Model No.	Q'ty/Box	Housing Color
A	<b>JRFRB-01-1A-K</b>	960	Jet Black
B	<b>JRFRB-01-1B-W</b>	960	Cream White
C	<b>JRFRB-01-1C-E</b>	960	Signal Blue
D	<b>JRFRB-01-1D-P</b>	960	Claret Violet
E	<b>JRFRB-01-1E-M</b>	960	Leaf Green
F	<b>JRFRB-01-1F-DN</b>	960	Nut Brown
G	<b>JRFRB-01-1G-H</b>	960	Blue Gray
H	<b>JRFRB-01-1H-LP</b>	960	Heather Violet
I	<b>JRFRB-01-1I-LN</b>	960	Beige
K	<b>JRFRB-01-1K-N</b>	960	Curry
L	<b>JRFRB-01-1L-R</b>	960	Carmine Red
M	<b>JRFRB-01-1M-D</b>	960	Pastel Orange
N	<b>JRFRB-01-1N-LG</b>	960	Pastel Green
Z	<b>JRFRB-01-1Z-LE</b>	960	Water Blue
Material and Finish			
Housing : PBT Retainer : PBT (Yellow)			

## Male Center Contact



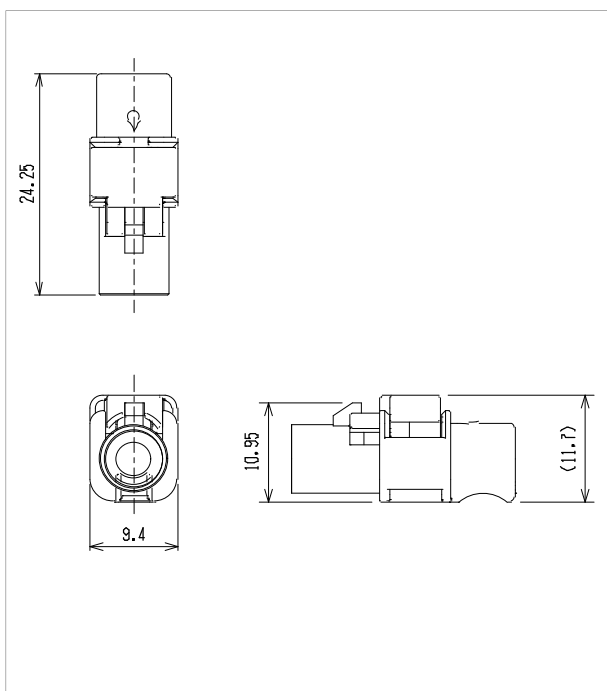
Model No.	Q'ty/reel
<b>SJRFW-C1.5D0GG-0.5</b>	35,000
Material and Finish	
Brass, Nickel-Undercoated, Contact Area: Au-plated Barrel Area : Tin-Plated (Reflow Treatment)	

## Male Outer Contact Assy



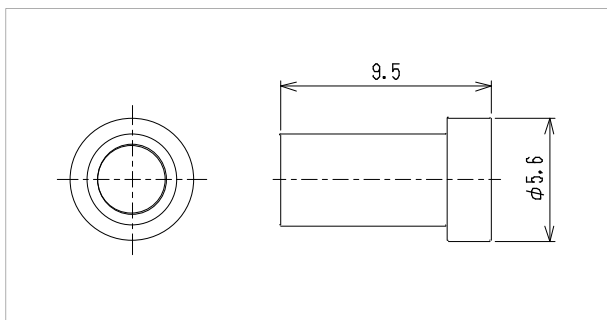
Model No.	Q'ty/reel
<b>JRFPsi-01-1A</b>	2,500
Material and Finish	
Outer Contact : Brass, Cu-Undercoated, Tin-Plated (Reflow Treatment) Insulator : COC	

## Male Housing Assy



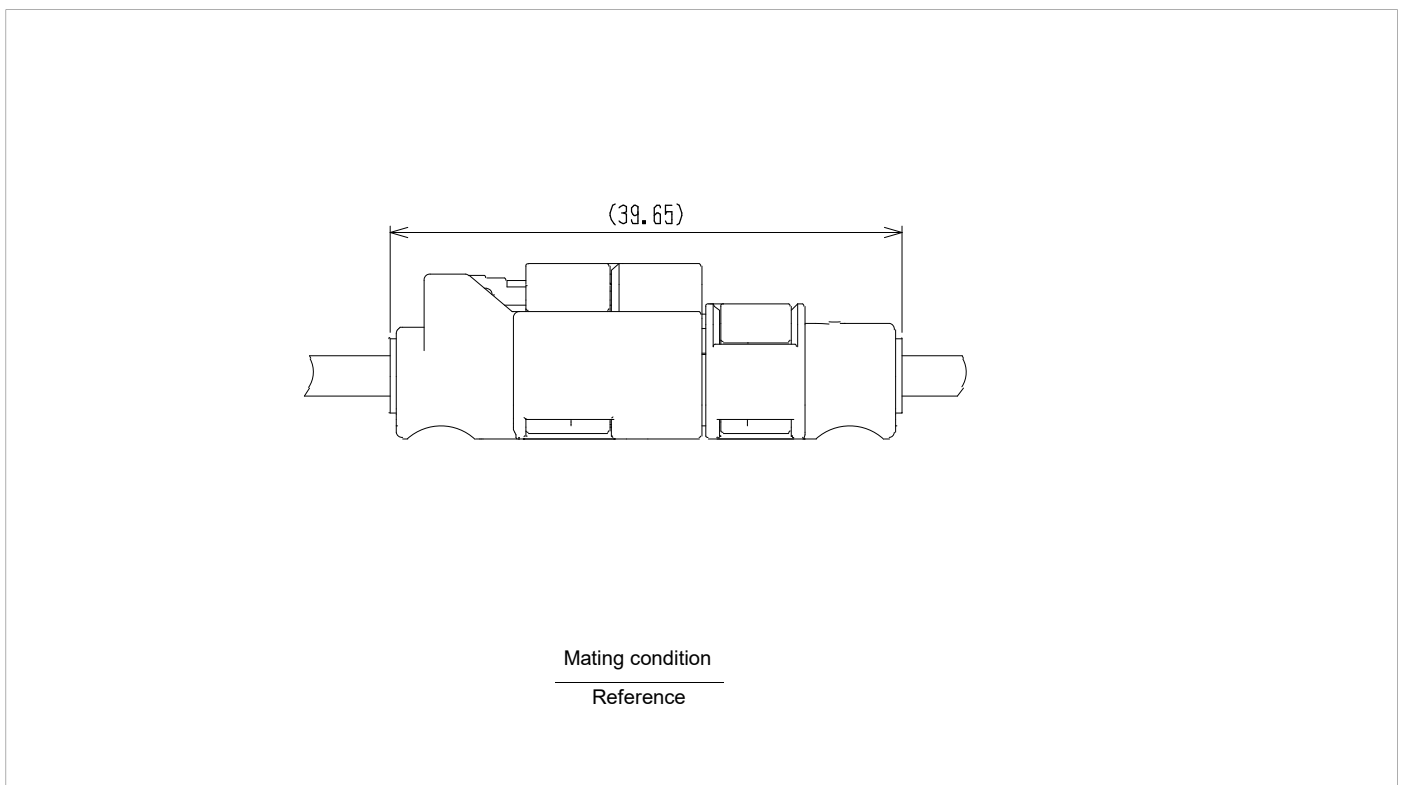
Key Code	Model No.	Q'ty/Box	Housing Color
A	<b>JRFPB-01-1A-K</b>	1,080	Jet Black
B	<b>JRFPB-01-1B-W</b>	1,080	Cream White
C	<b>JRFPB-01-1C-E</b>	1,080	Signal Blue
D	<b>JRFPB-01-1D-P</b>	1,080	Claret Violet
E	<b>JRFPB-01-1E-M</b>	1,080	Leaf Green
F	<b>JRFPB-01-1F-DN</b>	1,080	Nut Brown
G	<b>JRFPB-01-1G-H</b>	1,080	Blue Gray
H	<b>JRFPB-01-1H-LP</b>	1,080	Heather Violet
I	<b>JRFPB-01-1I-LN</b>	1,080	Beige
K	<b>JRFPB-01-1K-N</b>	1,080	Curry
L	<b>JRFPB-01-1L-R</b>	1,080	Carmine Red
M	<b>JRFPB-01-1M-D</b>	1,080	Pastel Orange
N	<b>JRFPB-01-1N-LG</b>	1,080	Pastel Green
Z	<b>JRFPB-01-1Z-LE</b>	1,080	Water Blue
Material and Finish			
Housing: PBT Retainer: PBT (Yellow)			

**Sleeve**



Model No.	Q'ty/box
<b>BJRFFL-A1.5DN-3.1</b>	2,000
Material and Finish	
Brass, Nickel-Plated	

**Assembly layout**



Note: Contact JST for details.

**Crimping machine, Applicator**

Strip terminal	Crimping machine	Crimp applicator body MKS-L-10	
		Dies	Crimp applicator with dies
<b>SJRF-C1.5D0GG-P0.5</b>	AP-K2N	SJRF/W-C1.5D0-05	APLMK SJRF/WC1.5D0-05
<b>SJRFW-C1.5D0GG-0.5</b>			

Strip terminal	Crimping machine	Crimp applicator body MKS-JRF	
		Dies	Crimp applicator with dies
<b>BJRFFL-A1.5DN-3.1</b>	AP-K2N	BJRFFL-A1.5DN-3.1	APLMK JRF-SLEEVE

Note: 1. Contact JST for details.

2. When crimping operation is conducted using an applicator and die set other than the above, JST cannot guarantee the performance of the terminal.