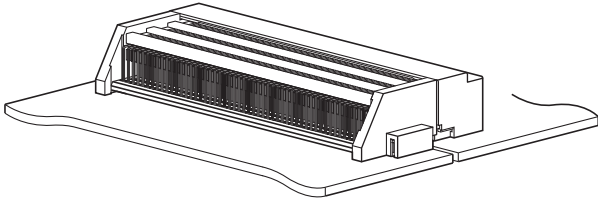


# JU CONNECTOR

0.6 mm pitch/Board-to-Board connectors/Mating style



This is a fine pitch, high density 200 pin, board-to-board connector designed to meet the demands of today's digitization and multifunctionality in electronic products. The mating section has a fully shrouded box shaped housing that prevents flux contamination. The receptacle is constructed with a rib-like protrusion for polarization to guide correct mating. This also prevents mismatching of both the plug and receptacle. Moreover, a longer mating stroke provides added stability and enhanced contact performance.

- High density (0.6 mm pitch, dual row)
- Stable contact performance
- Box style structure

## ■ Specifications

- Current rating: 0.5 A AC/DC
  - Voltage rating: 50 V AC/DC
  - Temperature range: -25°C to +85°C  
(including temperature rise in applying electrical current)
  - Contact resistance:
    - Initial value/ 80 mΩ max.
    - After environmental tests/ 100 mΩ max.
  - Insulation resistance: 50 MΩ min.
  - Withstanding voltage:
    - There shall be no breakdown or flashover while applying 100 VAC for one minute.
  - Applicable PC board thickness: Receptacle/ 1.6 mm
- \* Please refer to the "Handling Precautions for Terminals and Connectors" on our website (listed in the "Technical Documents" column on the Product Information page) before use.
- \* RoHS2 compliance
- \* Dimensional unit: mm
- \* Contact JST for details.

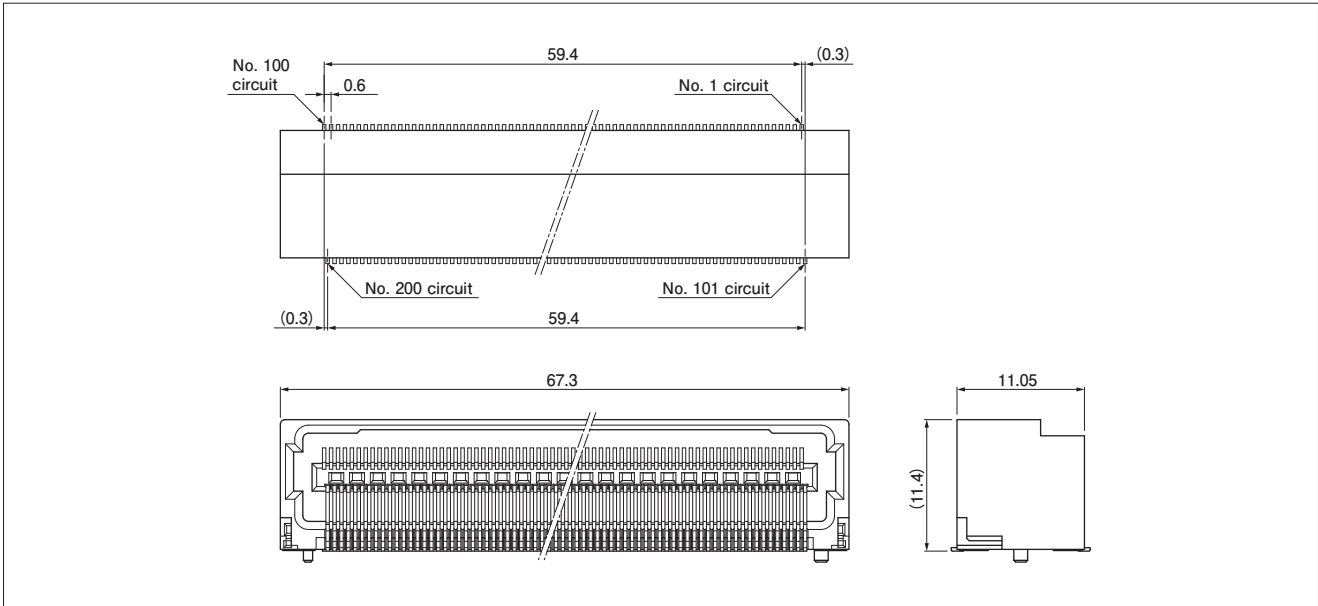
## ■ Standards

For information on overseas standard registrations, please refer to the "List of Registered Overseas Standards" on our website (listed in the "Technical Documents" column on the Product Information page).

\* Specifications registered to overseas standards may differ from the general specifications listed above.

# JU CONNECTOR

## Plug/ Side entry type



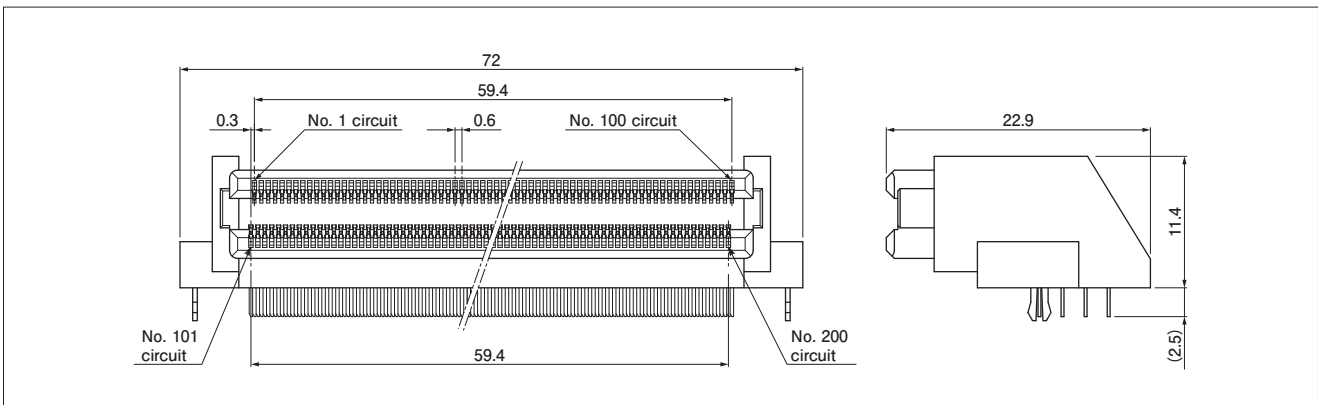
No. of circuits	Model No.	Q'ty/box
200	200PS-JUK-G-B (A)	60

### Material and Surface finish, etc.

Contact: Copper alloy, gold-plated  
Housing: LCP, black

Note: For flame retardant grade of resin material used, please refer to the "List of Registered Overseas Standards" on our website (listed in the "Technical Documents" column on the Product Information page).

## Receptacle/ Side entry type



No. of circuits	Model No.	Q'ty/box
200	200RS-JUK-GB	128

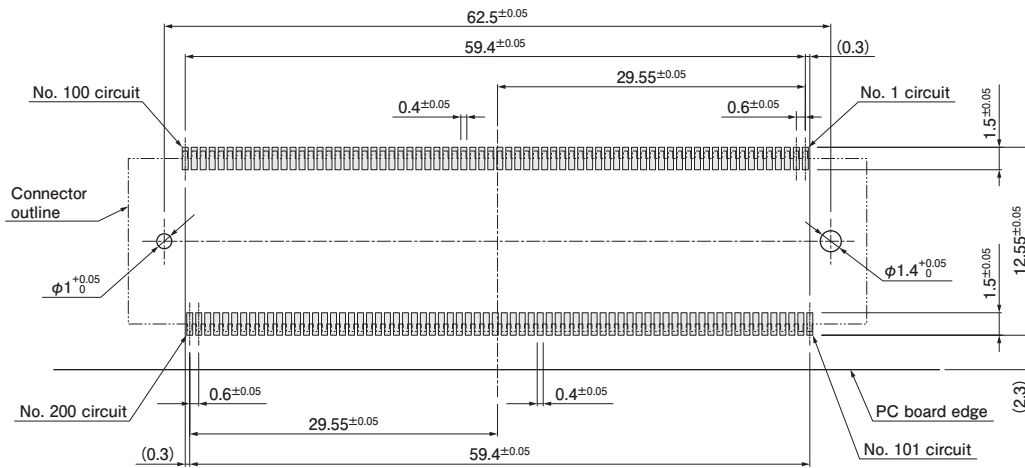
### Material and Surface finish, etc.

Contact: Copper alloy, selective gold-plated  
Housing: LCP, black  
Locator: PBT (GF), black  
Reinforcement: Copper alloy, tin-plated

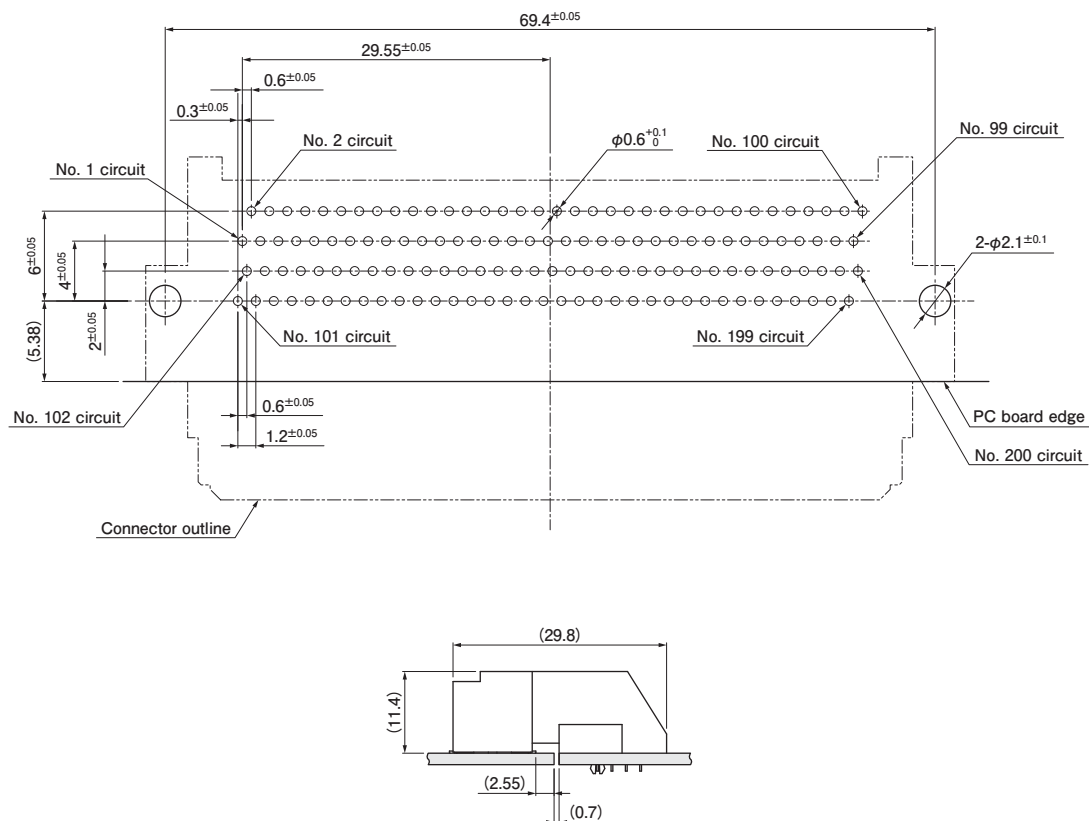
Note: For flame retardant grade of resin material used, please refer to the "List of Registered Overseas Standards" on our website (listed in the "Technical Documents" column on the Product Information page).

## PC board layout and Assembly layout

### Plug



### Receptacle



Note: 1. The PC board layout figure shown is viewed from the connector mounting surface.  
 2. Tolerance for PCB pattern pitch and PCB hole pitch shall be  $\pm 0.05$ , and shall not accumulate more than  $\pm 0.05$ .  
 3. Hole dimensions differ depending on the type of PCB and PCB drilling method.  
 The above dimensions are for reference only. Please contact JST for further details.