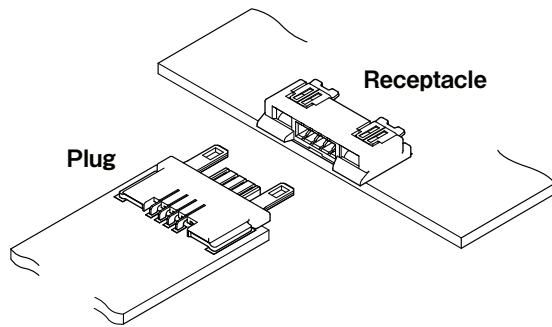


LEI CONNECTOR

1.0 mm, 7.6 mm pitch/Board-to-Board connectors/Mating style



The LEI connector is a staggered horizontal board-to-board type interconnect for coplanar applications. It can accommodate mating misalignment and features a robust metal lock. With a low-profile height of only 2.4 mm and excellent mating reliability, it is ideal for applications such as connecting LED backlight boards in LCD televisions.

- **Metal Lock (Reinforced Metal Lock)**
The reinforced metal lock provides excellent durability against twisting and irregular external forces, while maintaining a consistently smooth fit-and-feel sensation over time.
- **Displacement-Absorbing Structure**
The reinforced metal lock and contacts can accommodate mating misalignment within a 0.5 mm range, ensuring reliable performance even under thermal expansion and contraction of the board.
- **Anti-Twist Design**
During mating, the robust metal lock on the plug side acts as a guide, effectively suppressing any possibility of twisting.
- **Halogen-Free / RoHS2 Compliant**
The resin materials used are halogen-free and fully compliant with the RoHS2 directive.

■ Specifications

- Current rating: Contact A: 1.0 A AC/DC
Contact B: 3.0 A AC/DC
- Voltage rating: 150 V AC/DC
- Temperature range: -40°C to +105°C
(including temperature rise in applying electrical current)
- Contact resistance:
Initial value/ Contact A: 30 mΩ max.
Contact B: 20 mΩ max.
After test/ Contact A: 50 mΩ max.
Contact B: 30 mΩ max.
- Insulation resistance: 100 MΩ min.
- Withstanding voltage:
There shall be no breakdown or flashover while applying 500 VAC for one minute.
- * Please refer to the "Handling Precautions for Terminals and Connectors" on our website (listed in the "Technical Documents" column on the Product Information page) before use.
- * RoHS2 compliance
- * Dimensional unit: mm
- * Contact JST for details.

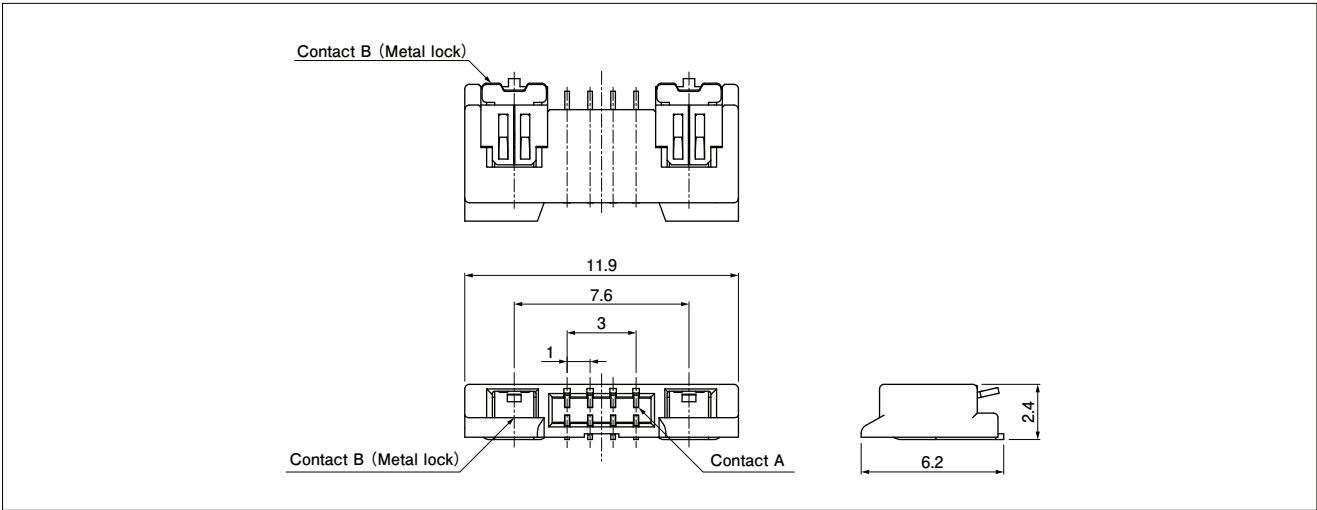
■ Standards

For information on overseas standard registrations, please refer to the "List of Registered Overseas Standards" on our website (listed in the "Technical Documents" column on the Product Information page).

- * Specifications registered to overseas standards may differ from the general specifications listed above.

LEI CONNECTOR

Receptacle



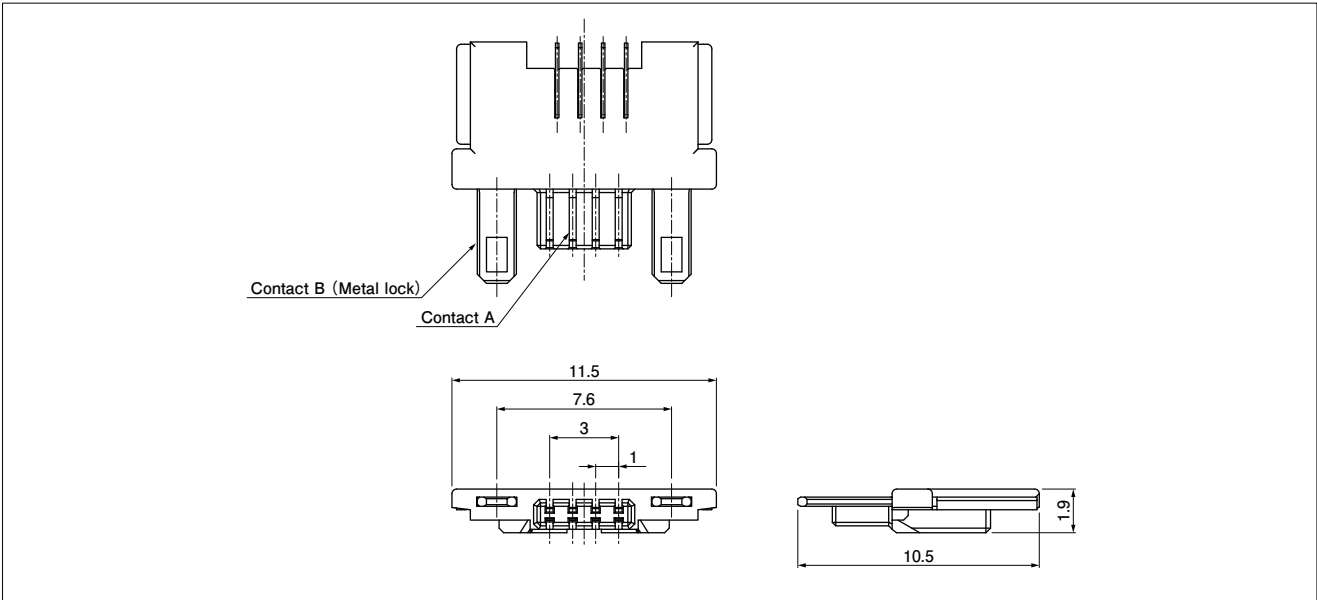
Model No.	Q'ty/reel
06RS-LEIK-582-TB (HF)	2,800

Material and Surface finish, etc.

Contact A: Copper alloy, tin-plated
 Contact B, Metal lock: Copper alloy, tin-plated
 Housing: LCP, black

Note: For flame retardant grade of resin material used, please refer to the "List of Registered Overseas Standards" on our website (listed in the "Technical Documents" column on the Product Information page).

Plug



Model No.	Q'ty/reel
06PSE-LEIS-582-TB (HF)	2,500

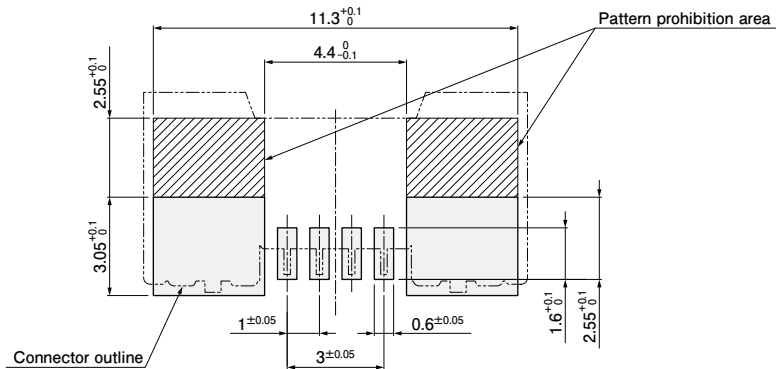
Material and Surface finish, etc.

Contact A: Copper alloy, tin-plated
 Contact B, Metal lock: Copper alloy, tin-plated
 Housing: LCP, natural

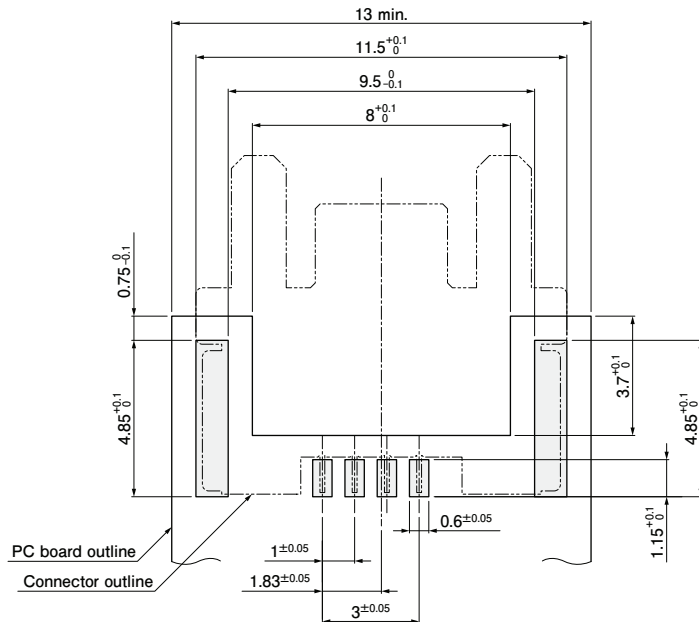
Note: For flame retardant grade of resin material used, please refer to the "List of Registered Overseas Standards" on our website (listed in the "Technical Documents" column on the Product Information page).

PC board layout and Assembly layout

PC board layout/ Receptacle



PC board layout/ Plug



- Note: 1. The PC board layout figure shown is viewed from the connector mounting surface.
 2. The pad pitch tolerance for Contact A is ± 0.05 , and the cumulative deviation must not exceed ± 0.05 .
 The above dimensions are for reference only. Please contact JST for further details.

Assembly layout

