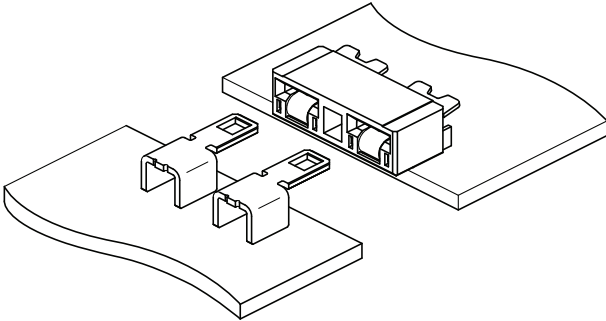


LEKU CONNECTOR

6 mm pitch/Board-to-Board connectors/Mating style



This is a board-to-board connector for coplanar interconnect configurations, featuring robust metal latches and a misalignment-absorption function when mated.

- **Metal Lock (Heavy-duty metal lock)**
The heavy-duty metal lock exhibits exceptional durability against prying and irregular external forces, while also ensuring a consistent and secure mating sensation for satisfactory long-term use.
- **Misalignment-absorption mechanism**
The LEKU connector accommodates misalignment of up to 0.5 mm in both the mating and pitch directions, and accommodates thermal expansion as well as contraction of the PCB.
- **Halogen-free, RoHS 2 compliant**
Resin material used is halogen-free and complies with the RoHS 2 Directive.

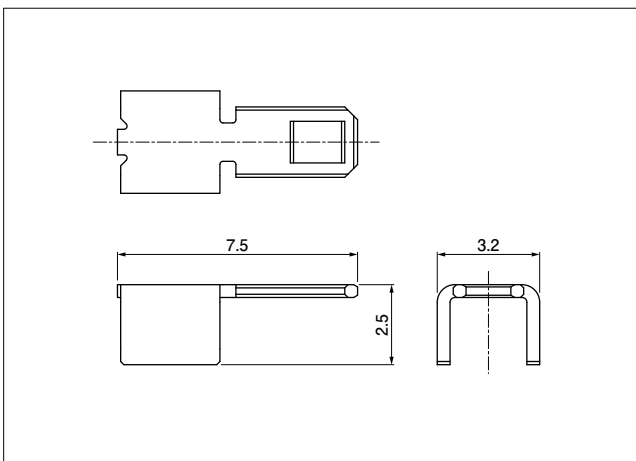
■ Specifications

- Current rating: 3.0 A AC/DC
- Voltage rating: 300 V AC/DC
- Temperature range: -55°C to +105°C
(including temperature rise in applying electrical current)
- Contact resistance: Initial value/ 20 mΩ max.
After test/ 30 mΩ max.
- Insulation resistance: 100 MΩ min. (Receptacle)
- Withstanding voltage:
There shall be no breakdown or flashover while applying 500 VAC for one minute.
- * Please refer to the "Handling Precautions for Terminals and Connectors" on our website (listed in the "Technical Documents" column on the Product Information page) before use.
- * RoHS2 compliance
- * Dimensional unit: mm
- * Contact JST for details.

■ Standards

For information on overseas standard registrations, please refer to the "List of Registered Overseas Standards" on our website (listed in the "Technical Documents" column on the Product Information page).
* Specifications registered to overseas standards may differ from the general specifications listed above.

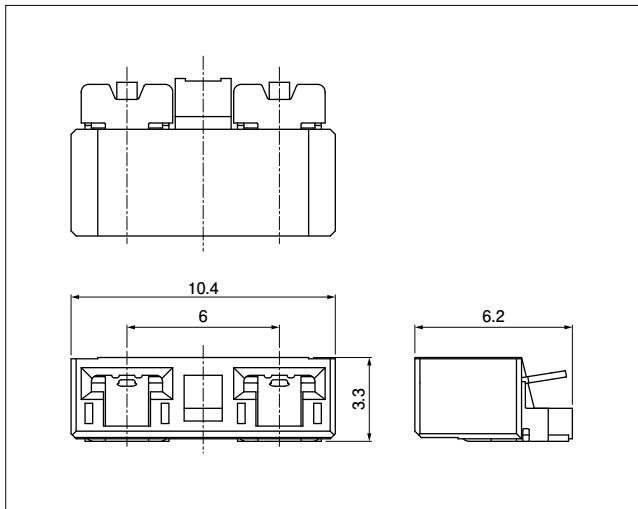
Plug



Model No.	Q'ty/reel
LEKU-01PS-1T-TL	4,000
Material and Surface finish, etc.	
Copper alloy, tin-plated	

LEKU CONNECTOR

Receptacle



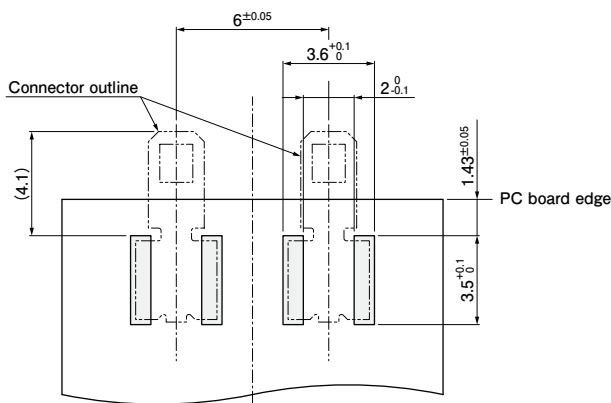
Model No.	Q'ty/reel
LEKU-02RS-2T-5-TB	2,000

Material and Surface finish, etc.
Contact: Copper alloy, tin-plated Housing: LCP, natural

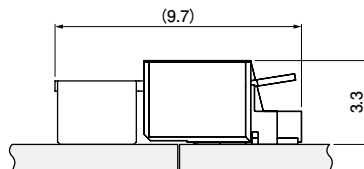
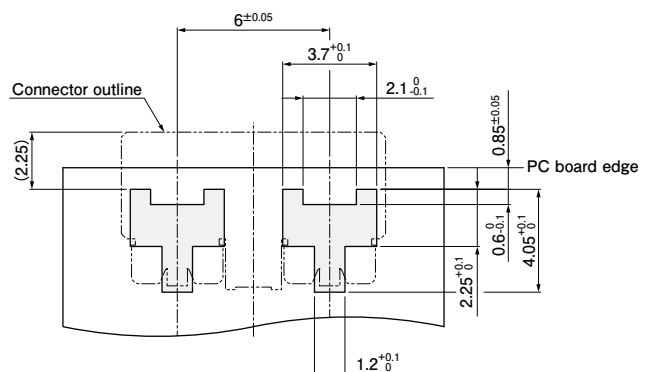
Note: For flame retardant grade of resin material used, please refer to the "List of Registered Overseas Standards" on our website (listed in the "Technical Documents" column on the Product Information page).

PC board layout and Assembly layout

Plug



Receptacle



- Note: 1. The PC board layout figure shown is viewed from the connector mounting surface.
2. The above dimensions are for reference only. Please contact JST for further details.

Model number allocation

Plug

	LEKU	-01	P	S	-1	T	-TL
Series name							
No. of circuits							
Type: Plug							
Mounting method: SMT							
Sub model number							
Surface finish: Tin-plated							
Packaging style: Embossed taping							

Receptacle

	LEKU	-02	R	S	-2	T	-5	-TB
Series name								
No. of circuits								
Type: Receptacle								
Mounting method: SMT								
Sub model number								
Surface finish: Tin-plated								
Sub model number								
Packaging style: Embossed taping								