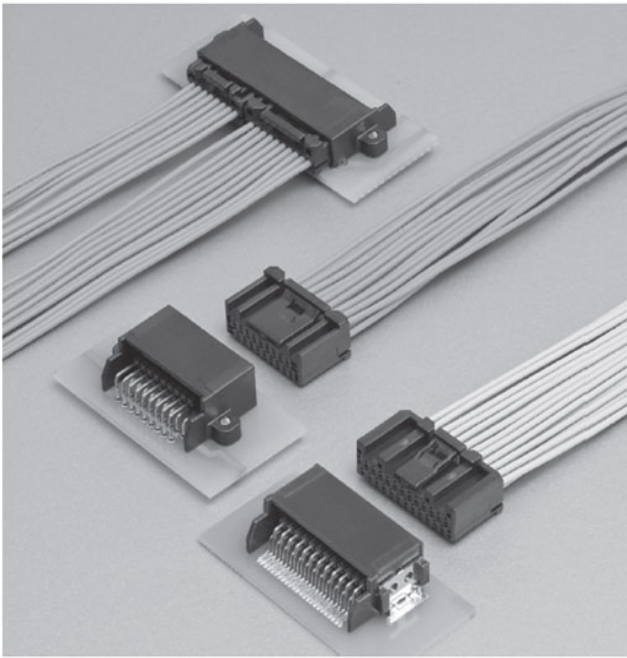


MEC CONNECTOR

Board-to-wire

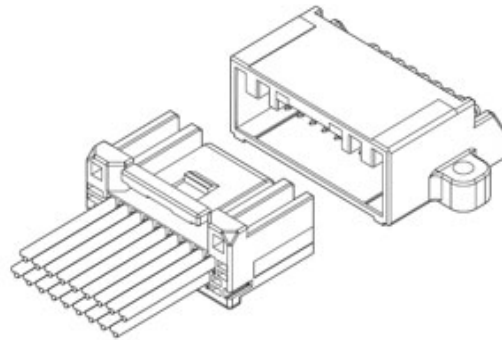


Developed in pursuit of miniaturization and low profile connector for automotive.
0.50 terminal with 2.0 mm pitch realized miniaturization.

■ Features

● Miniaturization and Low profile

0.50 terminal with 2.0 mm(W) X 2.5 mm(H) pitch is realized miniaturization and low profile.



■ Specifications

- Current rating: 3A AC, DC (0.3 mm²)
- Temperature range: -40°C to +125°C (gold-plated)
-40°C to +105°C (tin-plated)
(including temperature rise in applying electrical current)
- Contact resistance: Initial value/ 15 mΩ max.
After environmental tests/ 15 mΩ max.
- Insulation resistance: 100 MΩ min.
- Withstanding voltage: 1,000 VAC/minute
- Applicable wire: AESSX 0.3 mm², UL3265 AWG#22

* Compliant with ELV/RoHS2.

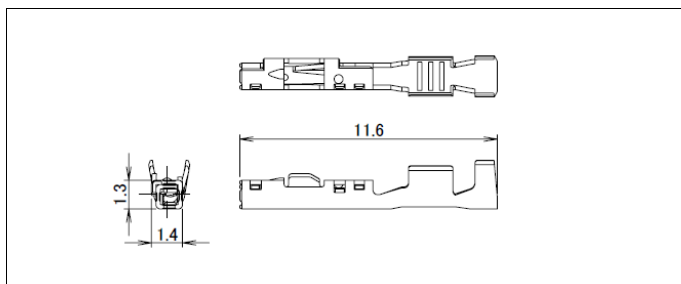
* Contact JST for details.

Product line-up

Type	No. of circuits	Female side	Male side	
			Dip type	SMT type
Single row	5	○	○	-
	8	○	-	-
	10	○	-	-
	18 (10+8)	-	○	-
Dual row	10	○	○	○
	12	○	-	○
	18	○	○	-
	20	○	-	○
	24	○	-	○

○: Available

Female terminal



Model No.	Applicable wire range		Q'ty/reel
	Conductor (mm ²)	Insulation O.D. (mm)	
① SMEC-A021GF-M0.5	0.3	1.36-1.5	12,000
② SMEC-A021T-M0.5			

Material and Finish

① Copper alloy, Contact area; gold-plated

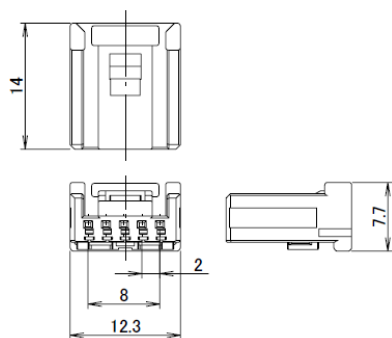
Barrel area; tin-plated

② Copper alloy, tin-plated

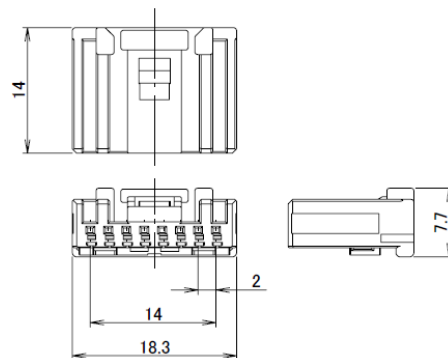
Female connector

Single row

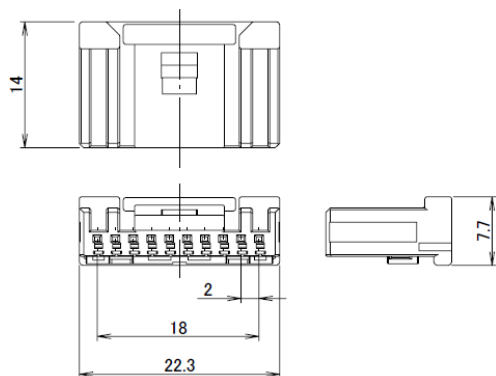
● 5 circuits



● 8 circuits



● 10 circuits



Type	Circuits	Model No.	Q'ty/box
Single row	5	05MEC-B-1A	400
	8	08MEC-B-1A	300
	10	10MEC-B-1A	200

Material and Finish

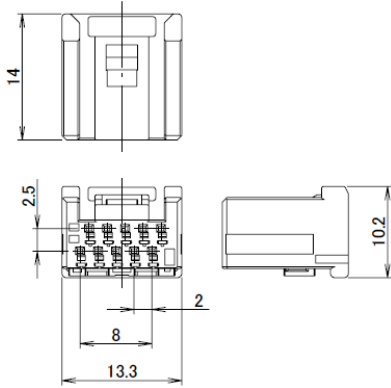
Housing: PBT (GF), Black

Retainer: PBT (GF), Blue

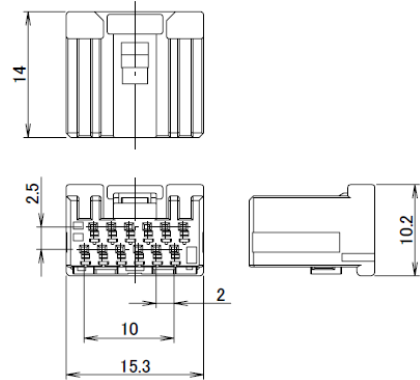
Female connector

Dual row

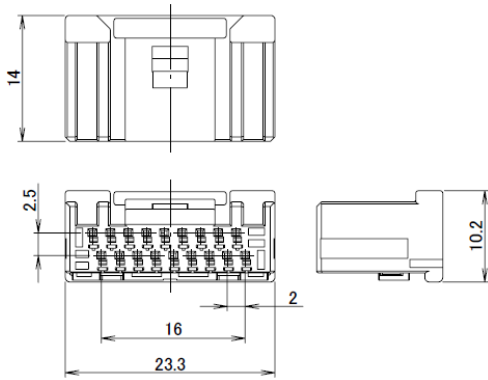
● 10 circuits



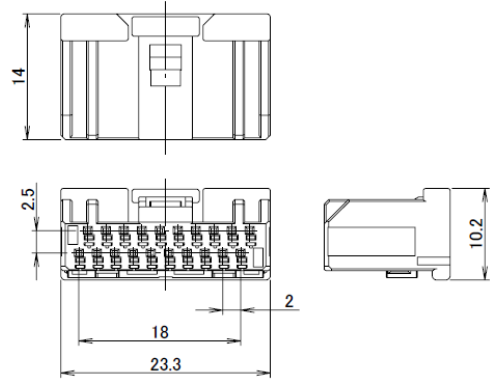
● 12 circuits



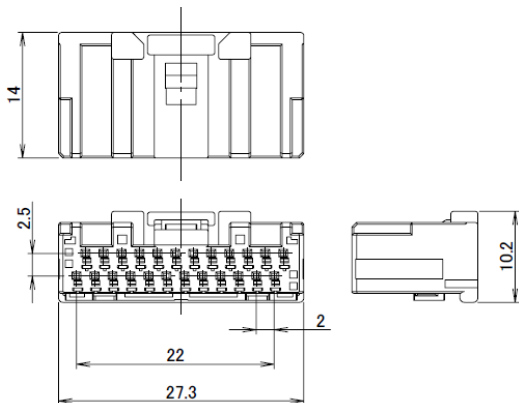
● 18 circuits



● 20 circuits



● 24 circuits



Type	Circuits	Model No.	Q'ty/box
Dual row	10	① 10MEC-B-2A	250
	12	① 12MEC-B-2A	200
	18	① 18MEC-B-2A	150
	20	② 20MEC-B-2A1	150
	24	① 24MEC-B-2A	100

Material and Finish

Housing: PBT (GF), Black

Retainer: ① PBT (GF), Blue

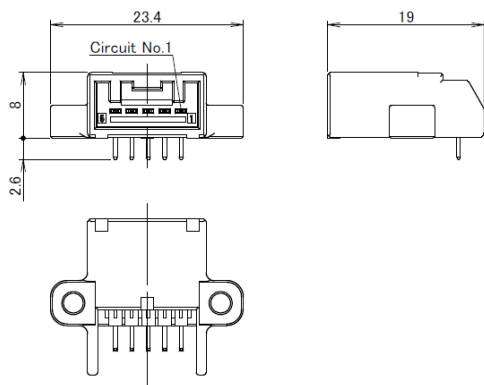
② PBT (GF), Natural (white)

Male connector

DIP type

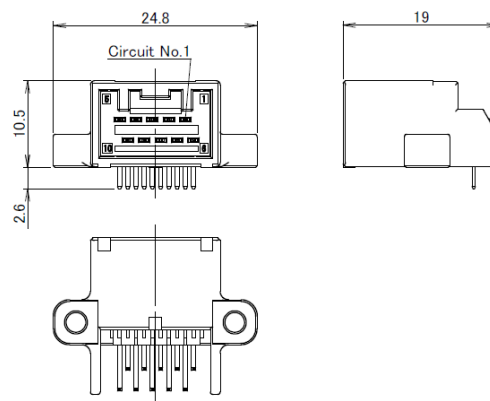
Single row

● 5 circuits

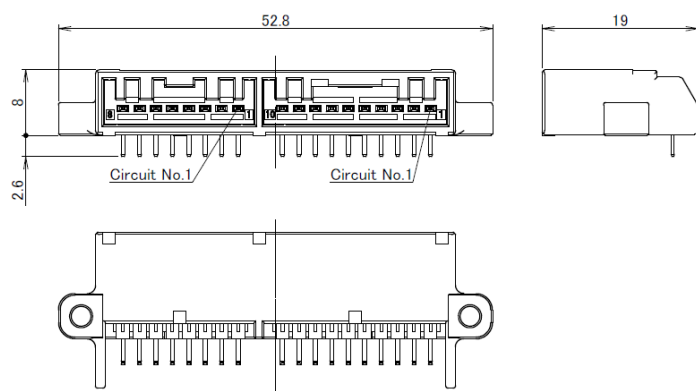


Dual row

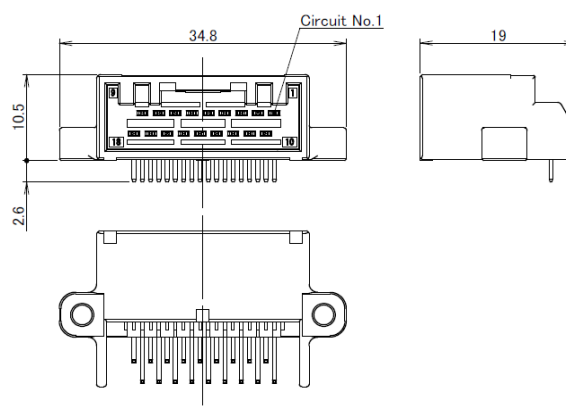
● 10 circuits



● 18 (10+8) circuits



● 18 circuits



Type	Circuits	Model No.	Q'ty/box
Single row	5	S05B-MECK-1GA-A	700
	18 (10+8)	S18B-MECK-1GA-A	350
Dual row	10	S10B-MECK-2GA-A	504
	18	S18B-MECK-2GA-A	392

Material and Finish

Housing: PBT (GF), Black

Terminal: Copper alloy, Contact area; gold-plated

Barrel area; tin-plated (reflow treatment)

Note) In addition to the above, tin-plated type product is also available.

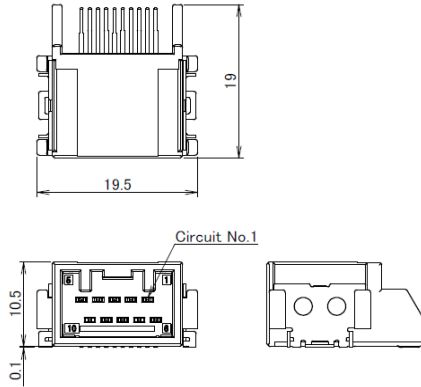
Contact JST for details.

Male connector

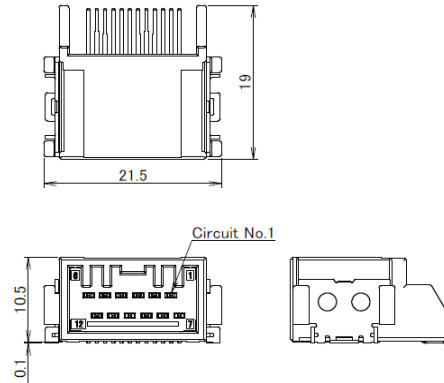
SMT type

Dual row

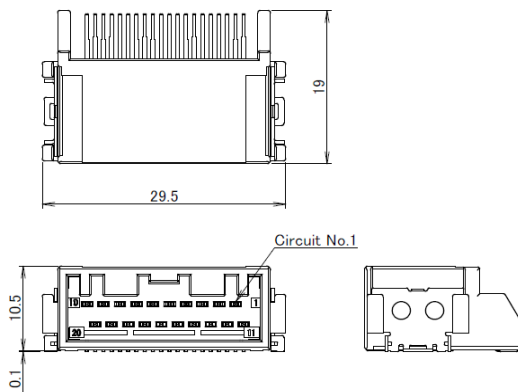
● 10 circuits



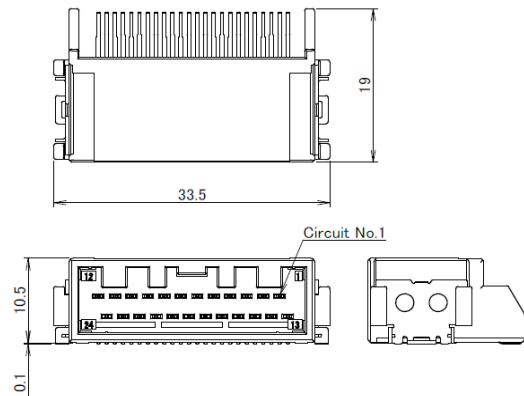
● 12 circuits



● 20 circuits



● 24 circuits



Type	Circuits	Model No.	Q'ty/reel
Dual row	10	① SM10B-MECK-2GA-A-TB	200
	12	① SM12B-MECK-2GA-A-TB	200
	20	② SM20B-MECK-2TA-A-TB	200
	24	② SM24B-MECK-2TA-A-TB	200

Material and Finish

Housing: LCP (GF), Black

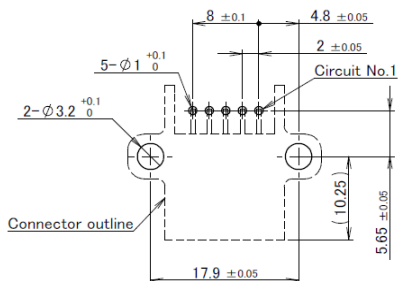
Terminal: ① Copper alloy, Contact area; gold-plated
Barrel area; tin-plated (reflow treatment)

② Copper alloy, tin-plated (reflow treatment)

PC board layout, Assembly layout

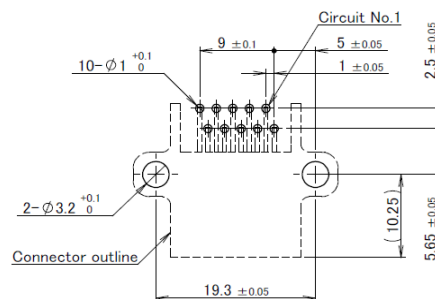
DIP type
Single row

● 5 circuits

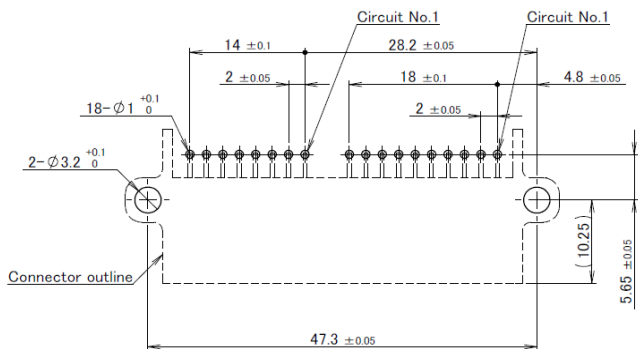


Dual row

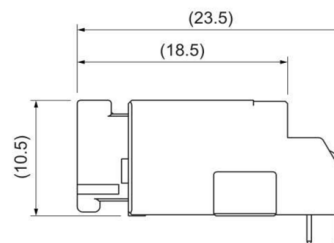
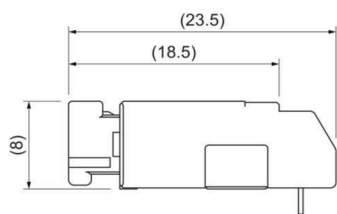
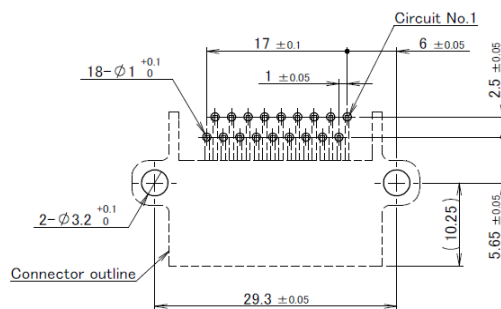
● 10 circuits



● 18 (10+8) circuits



● 18 circuits



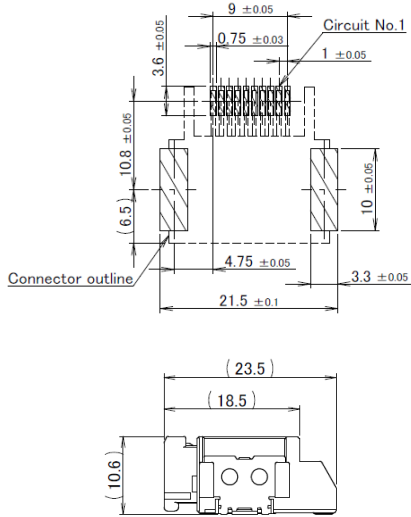
Note: 1. Tolerances are non-cumulative: ± 0.05 mm for all centers.
 2. Hole dimensions differ according to the type of PC board and piercing method.
 The dimensions above should serve as guideline. Contact JST for details.

PC board layout, Assembly layout

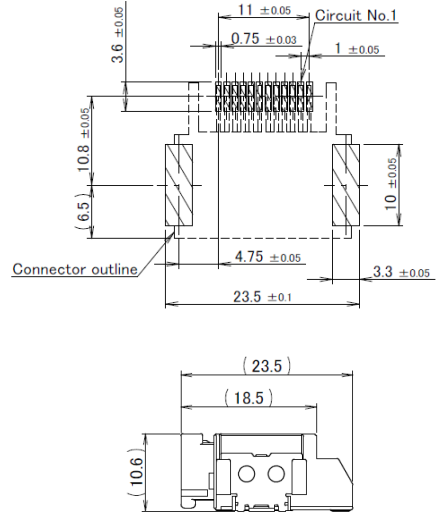
SMT type

Dual type

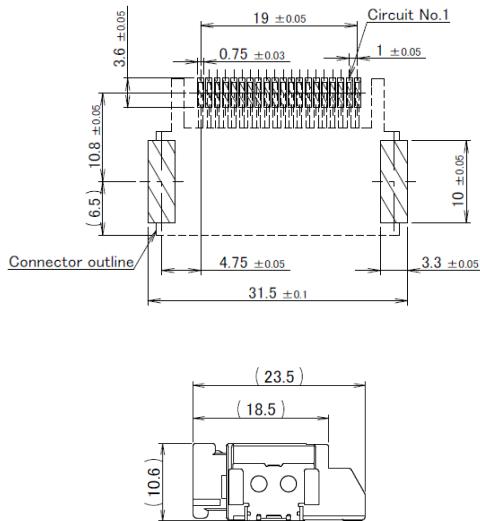
● 10 circuits



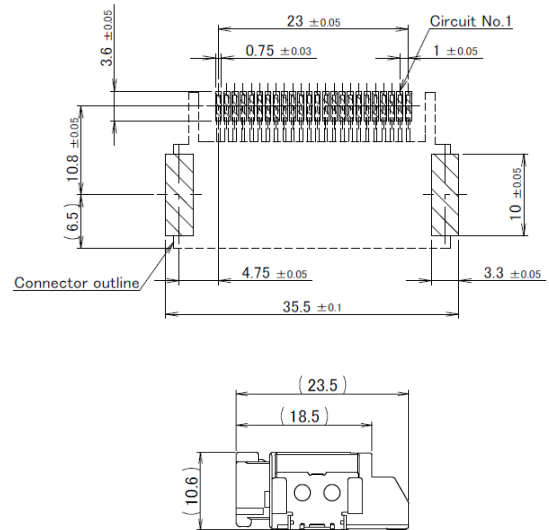
● 12 circuits



● 20 circuits



● 24 circuits



- Note: 1. Tolerances are non-cumulative: ± 0.05 mm for all centers.
2. The dimensions above should serve as guideline. Contact JST for details.

Crimping machine, Applicator

Strip terminal	Crimping machine	Crimp applicator MKS-L	
		Dies	Crimp applicator with dies
SMEC-A021GF-M0.5	AP-K2N	MK/SMEC-A021-05	APLMK SMEC-A021-05
SMEC-A021T-M0.5			

Note: When crimping operation is conducted using an applicator and die set other than the above, JST cannot guarantee the performance of the terminal.