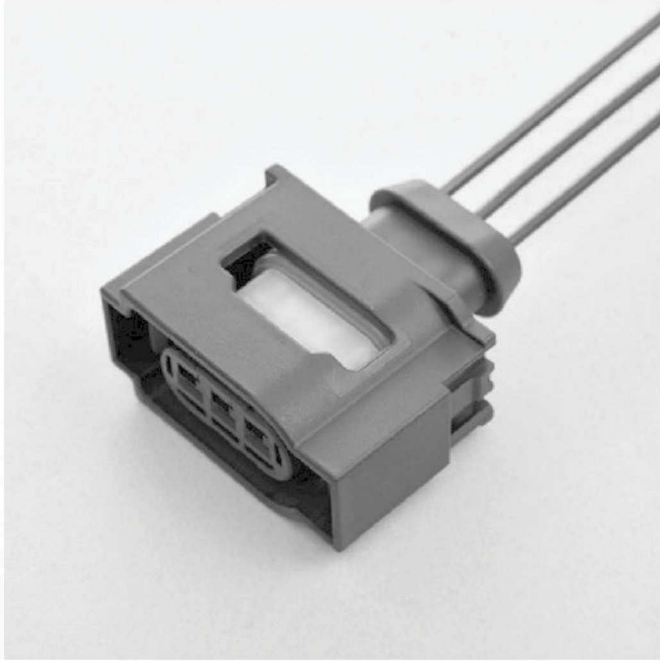


# MSZ CONNECTOR

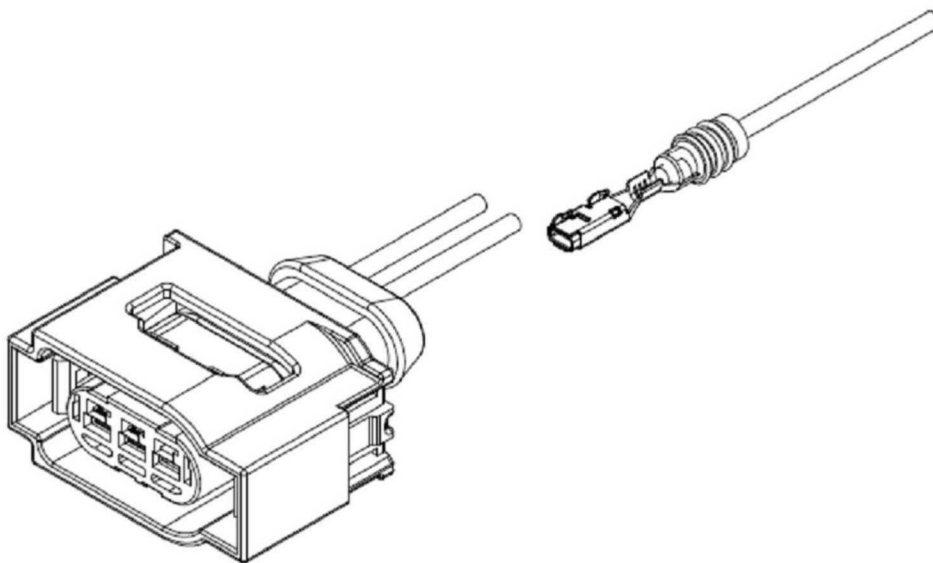
For Interface / Sealed Connector



2.8 mm sealed connector compliant with the Standard VDA Interface.

## Features

- 2.8 mm Single Sealed Connector
- Compliant with the Standard VDA Interface
- Water / Dust / Splash proof design



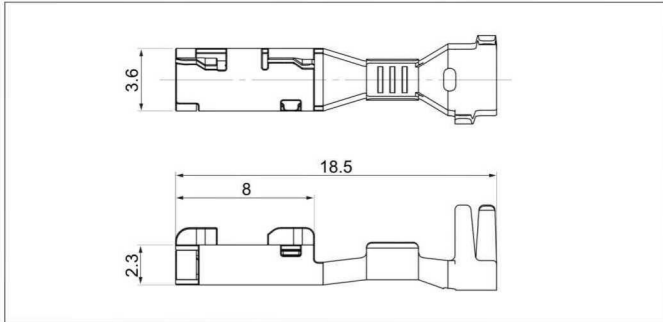
## Specifications

- Current rating: 5 A AC, DC max.  
(0.3 mm<sup>2</sup> to 0.5 mm<sup>2</sup>, Single circuit)
- Withstanding voltage: 1,000 VAC/minute
- Temperature range: -40°C to +125°C (AESSXF)
- Contact resistance: Initial value/ 8 mΩ max.  
After environmental tests/ 8 mΩ max.
- Insulation resistance: 100 MΩ min.
- Applicable wire: AESSXF / AVSS  
0.3 mm<sup>2</sup> to 0.5 mm<sup>2</sup>  
FLRY-A  
0.35 mm<sup>2</sup> to 0.5 mm<sup>2</sup>

\* Compliant with ELV/RoHS2.

\* Contact JST for details.

## Female terminal

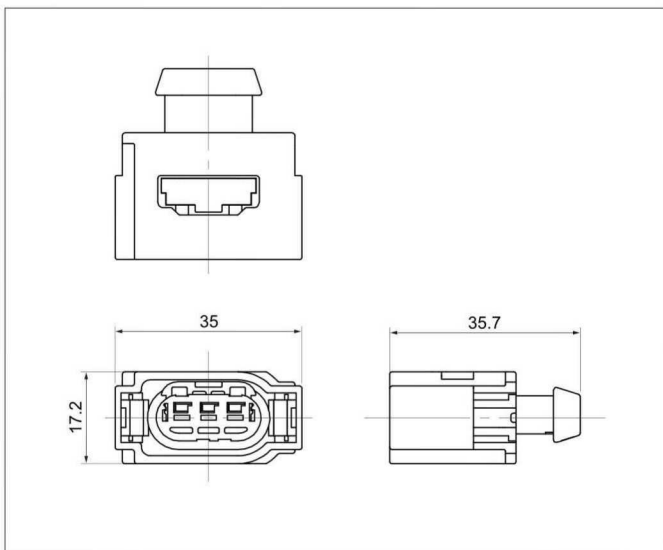


Model No.	Applicable wire range		Q'ty/reel
	Conductor (mm <sup>2</sup> )	Insulation O.D. (mm)	
<b>SMSZS-A021A-C2.8</b>	0.3 to 0.5	≤1.9	2,500

### Material and Finish

Copper alloy, nickel-undercoated, Contact area; silver-plated  
Barrel area; tin-plated

## Female connector

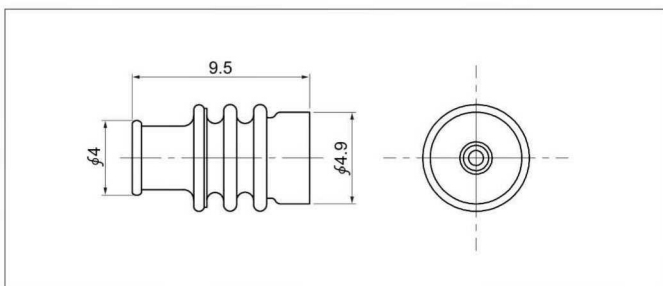


Circuits	Model No.	Q'ty/box
3	<b>MSZRB-03-2A-K</b>	85

### Material and Finish

Housing: Glass-filled PA, Black  
Inner seal: Silicone, Green  
Retainer: Glass-filled PA, Natural

## Wire seal



Model No.	Applicable wire range		Q'ty/box
	Conductor (mm <sup>2</sup> )	Insulation O.D. (mm)	
<b>A03WS-MSZ-E</b>	0.3 to 0.5	1.6 to 1.9	2,000

### Material and Finish

Silicone, Blue

## Crimping machine, Applicator

Strip terminal	Crimping machine	Crimp applicator MKS-L	
		Dies	Crimp applicator with dies
<b>SMSZS-A021A-C2.8</b>	AP-K2N	MK/SMSZS-A021-28	APLMK-SMSZS-A021-28

Note: 1. When crimping operation is conducted using an applicator and die set other than the above, JST cannot guarantee the performance of the terminal.  
2. Contact JST for details.