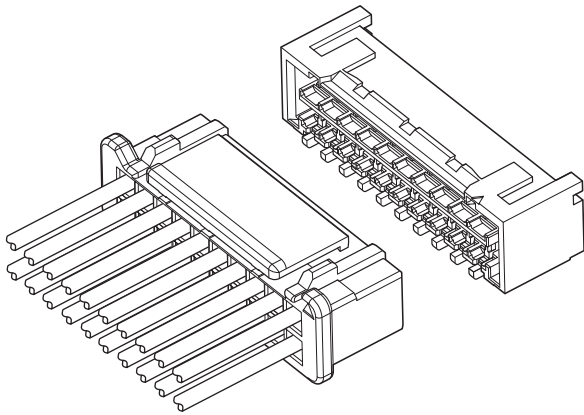


PBD CONNECTOR

2.0 mm pitch/Wire-to-Board connectors/Crimp style and Mating style

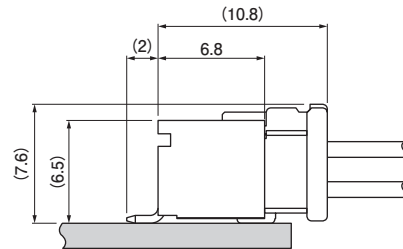
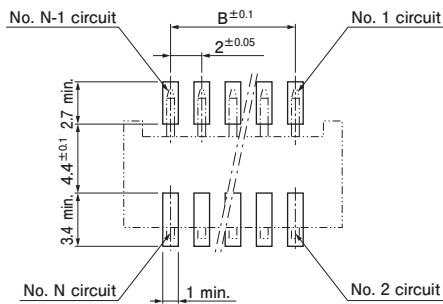


- Secure lock mechanism
- Sucking area on header
- High reliability contact
- Side entry dual-row type
- Applicator is interchangeable with those of the PHD connector contact.

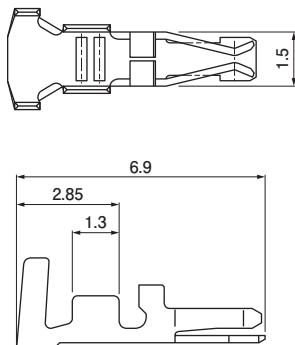
Specifications

- Current rating: 3 A AC/DC (AWG #22)
 - Voltage rating: 100 V AC/DC
 - Temperature range: -25°C to +85°C
(including temperature rise in applying electrical current)
 - Contact resistance: Initial value/ 10 mΩ max.
After environmental tests/ 20 mΩ max.
 - Insulation resistance: Initial/ 1,000 MΩ min.
 - Withstanding voltage:
There shall be no breakdown or flashover while applying 800 VAC for one minute.
 - Applicable wire range: Conductor size/ AWG #28 to AWG #22
Insulation O.D./ ϕ 1.0 mm to ϕ 1.5 mm
- * Please refer to the "Handling Precautions for Terminals and Connectors" on our website (listed in the "Technical Documents" column on the Product Information page) before use.
- * RoHS2 compliance
- * Dimensional unit: mm
- * Contact JST for details.

PC board layout and Assembly layout



Contact



Model No.	Applicable wire range		Insulation O.D. (mm)	Q'ty/reel
	mm ²	AWG#		
SPBD-001T-P0.5	0.13 to 0.33	26 to 22	1.0 to 1.5	10,000
SPBD-002T-P0.5	0.08 to 0.21	28 to 24	0.8 to 1.5	10,000

Material and Surface finish, etc.

Phosphor bronze, tin-plated

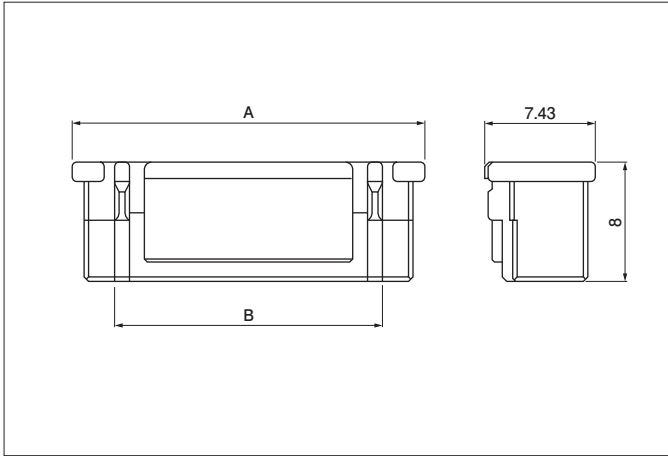
Crimping machine

Contact	Crimping machine	Applicator	Crimp applicator with dies
SPBD-001T-P0.5	AP-K2N	MKS-L	APLMK SPBD001-05
		MKS-L-10	APLMK SPHD001-05
SPBD-002T-P0.5		MKS-L	APLMK SPBD002-05
		MKS-L-10	APLMK SPHD002-05

Note: Contact JST for fully automatic crimping applicator.

PBD CONNECTOR

Housing

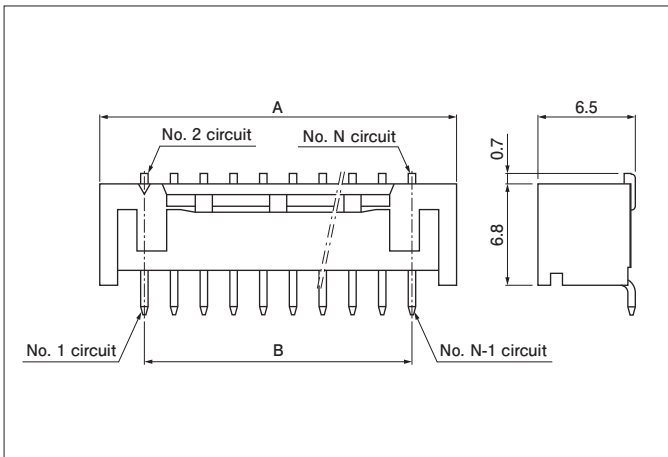


No. of circuits	Model No.	Dimensions (mm)		Q'ty/bag
		A	B	
16	PBDP-16V-S	19.7	14.0	500
20	PBDP-20V-S	23.7	18.0	300
30	PBDP-30V-S	33.7	28.0	200

Material and Surface finish, etc.

PBT, UL94V-0, natural (white)

Header



No. of circuits	Model No.	Dimensions (mm)		Q'ty/reel
		A	B	
16	SM16B-PBDSS-TF	20.0	14.0	800
20	SM20B-PBDSS-TF	24.0	18.0	800
30	SM30B-PBDSS-TF	34.0	28.0	800

Material and Surface finish, etc.

Post: Copper alloy, copper-undercoated, tin-plated
 Base housing: Polyamide resin, UL94V-0, natural (ivory)
 Base contact: Copper alloy, copper-undercoated, tin-plated

- Note: 1. This product displays (LF)(SN) on a label.
 2. This product is supplied on embossed tape and reel packaging.

Model number allocation

Contact

S PBD - 002 T - P 0.5

Form: S...Strip form
B...Loose piece

Series name

Applicable wire range: 001...AWG #26 to AWG #22
002...AWG #28 to AWG #24

Surface finish: T...Tin-plated

Material: P...Phosphor bronze

Terminal size

Housing

PBD P - 16 V - S

Series name

Part name: Plug

No. of circuits: 16, 20, 30

Flammability: V...UL94V-0

Color: S...Natural (White)

Header

SM 16 B - PBD S S - TF

PCB mounting style:
SM...SMT side entry type

No. of circuits: 16, 20, 30

Part name: Header

Series name

Color: S...Natural (Ivory)

Sub model number

Packaging style: TF...Embossed-taping