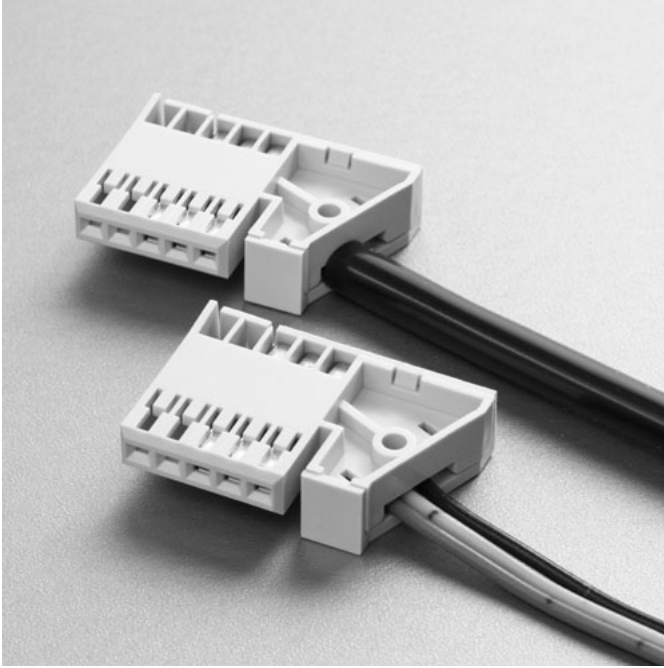


# PFW CONNECTOR

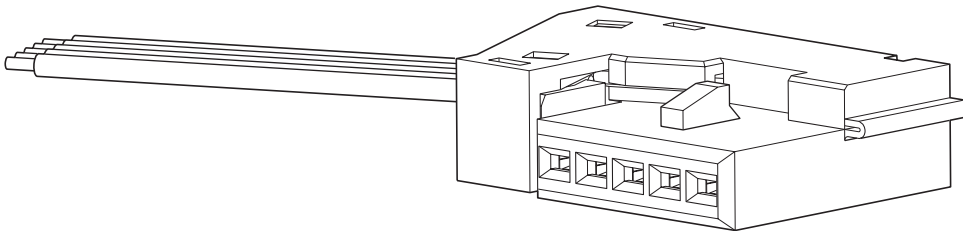
Wire-to-wire



## Features

- Versatile Terminal : Crimping or Soldered FFC
- Top column Module

This connector has versatile terminal and is used for top column module.

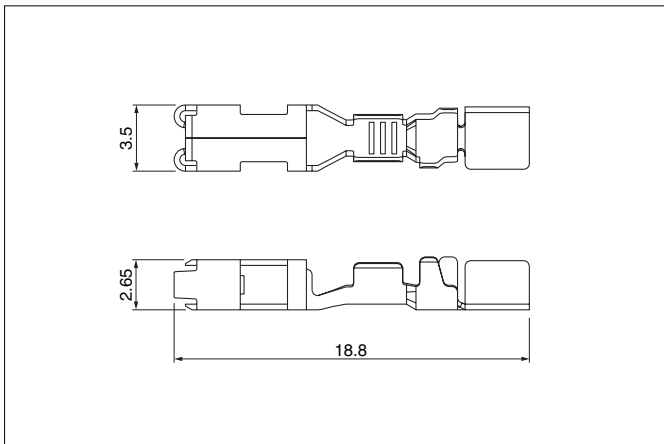


## Specifications

- Current rating: 5A AC, DC (0.5mm<sup>2</sup>)
- Voltage rating: 14V DC
- Temperature range: -40°C to +85°C  
(including temperature rise in applying electrical current)
- Insulation resistance: 100MΩ min.
- Withstanding voltage: 1,000V AC/minute
- Applicable wire: 0.5mm<sup>2</sup>

\* Compliant with ELV/RoHS.  
\* Contact JST for details.

## Female terminal

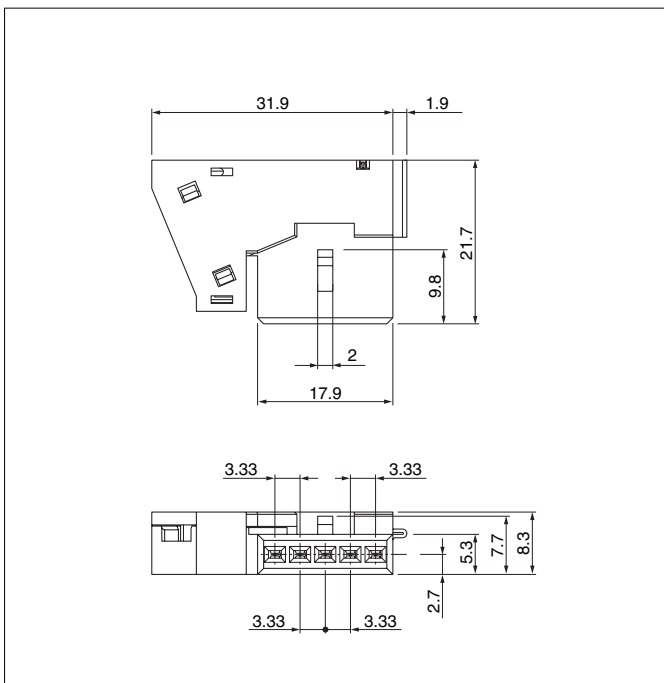


| Model No.          | Applicable wire range        |                      | Q'ty/reel |
|--------------------|------------------------------|----------------------|-----------|
|                    | Conductor (mm <sup>2</sup> ) | Insulation O.D. (mm) |           |
| <b>SPFW-03T-PW</b> | 0.5                          | 1.4 to 1.8           | 6,000     |

### Material and Finish

Copper alloy, selective tin-plated

## Female connector



| Circuits | Model No.        | Q'ty/box |
|----------|------------------|----------|
| 5        | <b>PFWR-05-H</b> | 1,000    |

### Material

PA 66, UL94V-0, gray

## Crimping machine, Applicator

| Strip terminal     | Crimping machine | Crimp applicator MKS-L |                            |
|--------------------|------------------|------------------------|----------------------------|
|                    |                  | Dies                   | Crimp applicator with dies |
| <b>SPFW-03T-PW</b> | AP-K2N           | MK/SPFW-03-PW          | APLMK SPFW03-PW            |

Note: When crimping operation is conducted using an applicator and die set other than the above, JST cannot guarantee the performance of the terminal.