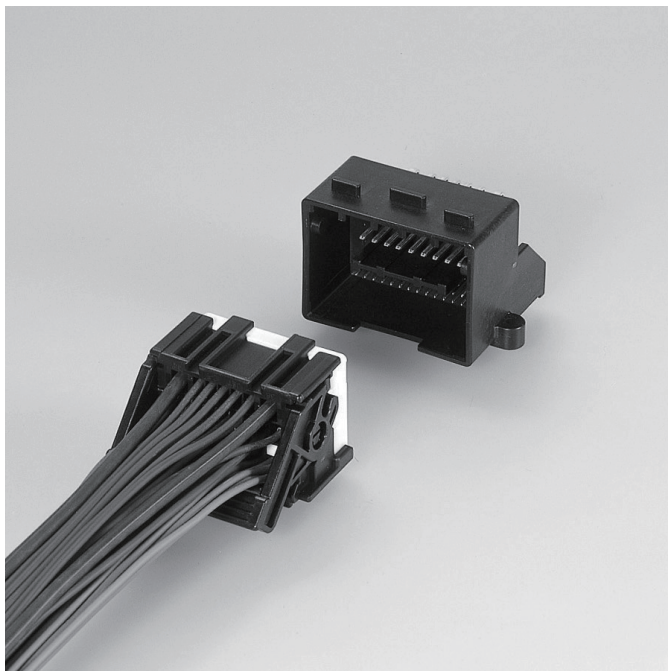


# RADCONNECTOR

*Board-to-wire*



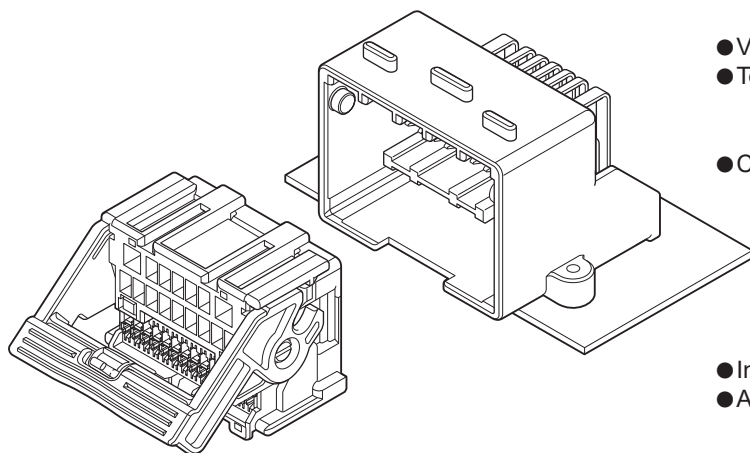
0.64/1.5/2.8 hybrid circuits unsealed board-to-wire connector with lever mechanism proven in Automotive Radio application.

## Features

- Optimum Combination of Power and Signal pins for Car Audio System
- 44 Circuits 0.64/1.5/2.8 Hybrid Board-to-Wire Connection System
- Pre-set Terminal Position Assurance (TPA)
- Pre-locked lever mechanism for low overall mating force
- Compact design

## Specifications

- Current rating: Signal; 5 A DC max. (0.64 Terminal)  
Power; 15 A DC max. (1.5 Terminal)  
Power; 25 A DC max. (2.8 Terminal)
- Voltage rating: 14 V DC
- Temperature range: -40°C to +85°C  
(including temperature rise in applying electrical current)
- Contact resistance:
  - 0.64 Terminal; Initial value/ 15 mΩ max.  
After environmental tests/ 15 mΩ max.
  - 1.5 Terminal; Initial value/ 8 mΩ max.  
After environmental tests/ 8 mΩ max.
  - 2.8 Terminal; Initial value/ 5 mΩ max.  
After environmental tests/ 5 mΩ max.
- Insulation resistance: 100 MΩ min.
- Applicable wire:
  - 0.64 Terminal; SAE/AVSS/CAVS, 0.3 mm<sup>2</sup> to 0.8 mm<sup>2</sup>
  - 1.5 Terminal; 0.35 mm<sup>2</sup> to 1.0 mm<sup>2</sup>
  - 2.8 Terminal; 0.35 mm<sup>2</sup> to 5.0 mm<sup>2</sup>

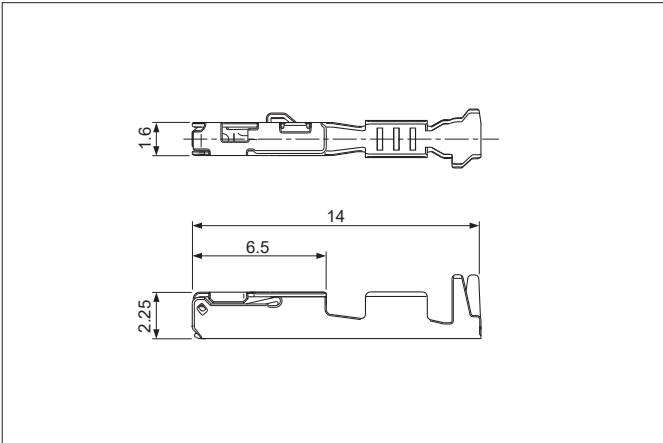


\* Compliant with ELV/RoHS2.

\* Contact JST for details.

# RAD CONNECTOR

## Female terminal



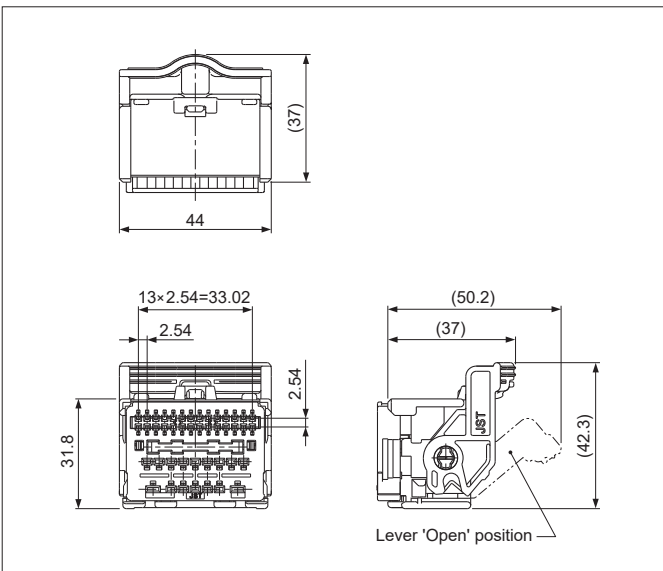
Terminal	Model No.	Applicable wire range		Q'ty/reel
		Conductor (mm <sup>2</sup> )	Insulation O.D. (mm)	
0.64	<b>SAIT-A03T-M064</b>	0.3 to 0.5	≤1.9	6,500
	<b>SAIT-A02T-M064</b>	0.75 to 0.8	≤1.9	6,500
1.5	<b>GT150</b> or equivalent Terminal (customer specified Terminal)			
2.8	<b>GT280</b> or equivalent Terminal (customer specified Terminal)			

### Material and Finish

0.64 Terminal: Copper alloy, tin-plated (reflow treatment)

1.5, 2.8 Terminal: Copper alloy, (Please contact Delphi Connection Systems for details.)

## Female connector



Circuits	Model No.	Q'ty/box
44	<b>RADPB-44-1AK</b>	180

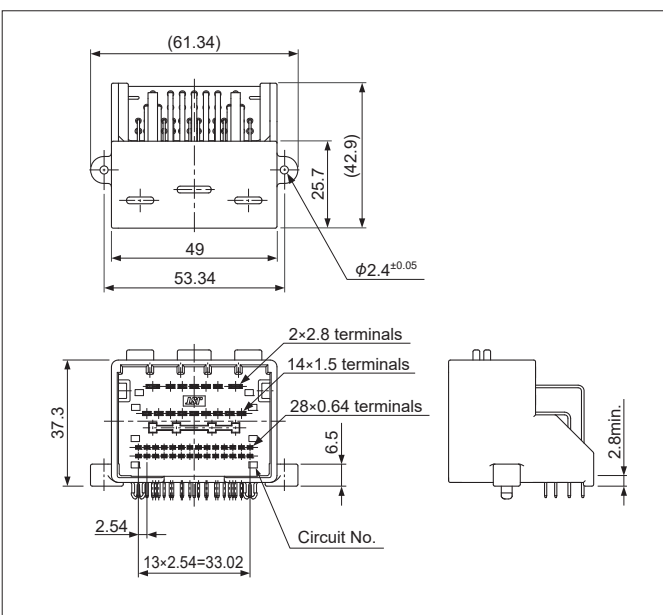
### Material and Finish

Housing: Glass-filled PBT, black

TPA: Glass-filled PBT, natural (white)

Lever: Glass-filled PBT, black

## Male connector



Circuits	Model No.	Q'ty/box
44	<b>S44B-RAD1AK</b>	105

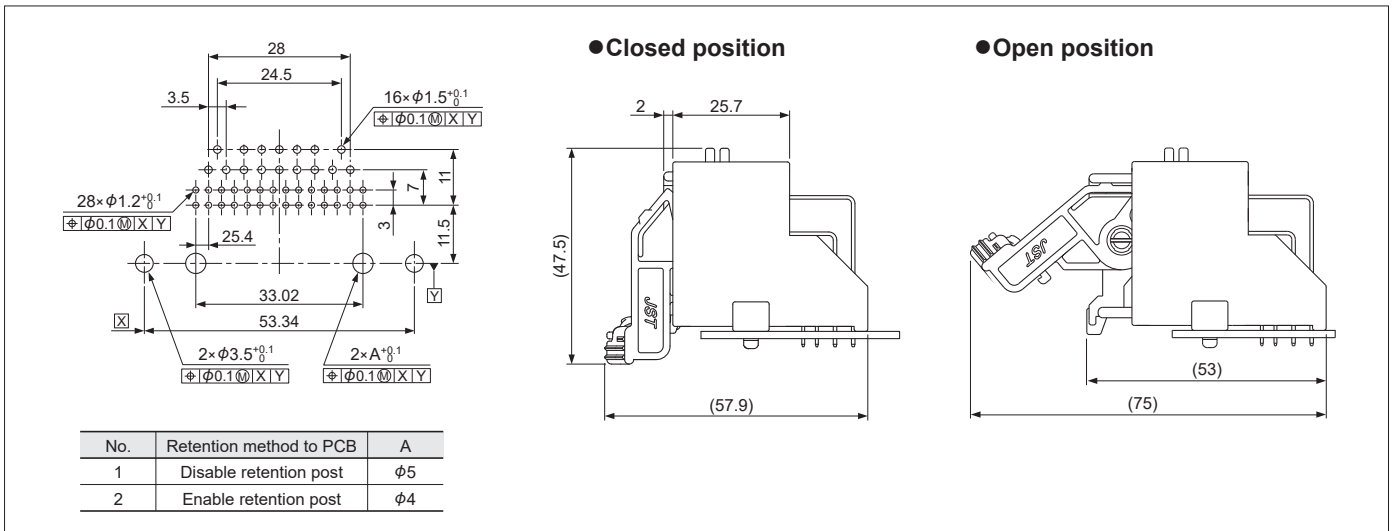
### Material and Finish

Housing: Glass-filled PBT, black

Tine-plate: Glass-filled PBT, black

Pin: Copper alloy, tin-plated

## PC board layout, Assembly layout



Note: 1. Tolerances are non-cumulative:  $\pm 0.05$  mm for all centers.  
 2. Hole dimensions differ according to the type of PC board and piercing method.  
 The dimensions above should serve as guideline. Contact JST for details.

## Crimping machine, Applicator

Strip terminal	Crimping machine	Crimp applicator MKS-L	
		Dies	Crimp applicator with dies
SAIT-A03T-M064	AP-K2N	MK/SAIT-A03-064	APLMK SAIT-A03-064
SAIT-A02T-M064		MK/SAIT-A02-064	APLMK SAIT-A02-064

Note: When crimping operation is conducted using an applicator and die set other than the above, JST cannot guarantee the performance of the terminal.