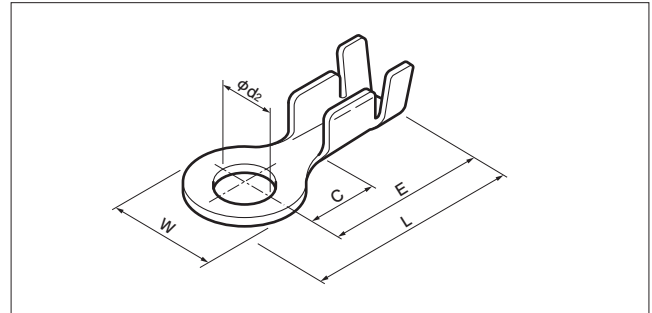


RING TONGUE TERMINAL

- * Please refer to the "Handling Precautions for Terminals and Connectors" on our website (listed in the "Technical Documents" column on the Product Information page) before use.
- * RoHS2 compliance
- * Dimensional unit: mm
- * Contact JST for details.

With insulation grip

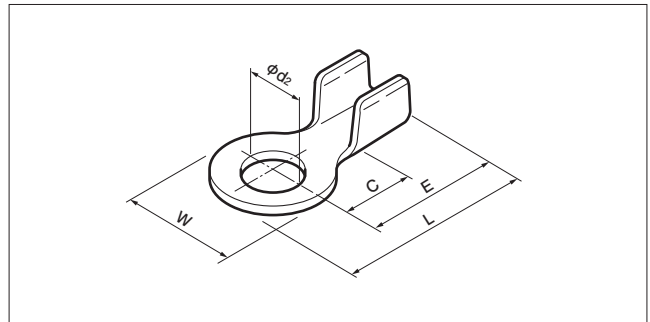


Listed E42024
 Certified LR20812

Model No.	Standard	Applicable wire range		Material	Surface finish	Dimensions (mm)					Q'ty/reel	
		Conductor size AWG (mm ²)	Insulation O.D. (mm)			φd ₂ (dia.)	E	L	C	W		Material thickness
SRA-01T-3.2		#24 to #20 (0.2 to 0.5)	1.5 to 2.7	Brass	Tin-plated	3.2	13.4	16.9	7.2	7.0	0.32	10,000
—												
SRA-21-3		#22 to #18 (0.3 to 0.75)	1.5 to 2.8	Brass	Tin-plated	4.3	13.0	16.8	5.8	7.5	0.5	7,500
SRA-21T-3					—							
SRA-21T-3.7					Tin-plated							
SRA-21-4					—							
SRA-21T-4					Tin-plated							
SRA-21-H5					—							
SRA-21T-H5	Tin-plated											
SRA-51T-3		#20 to #14 (0.5 to 2.0)	2.6 to 3.8	Brass	Tin-plated	4.3	13.0	16.8	5.8	7.5	0.5	7,500
SRA-51-3.7					—							
SRA-51T-3.7					Tin-plated							
SRA-51-4					—							
SRA-51T-4					Tin-plated							
SRA-51-H5					—							
SRA-51T-H5	Tin-plated											
SRB-51-3		#20 to #14 (0.5 to 2.0)	2.6 to 3.8	Brass	—	4.3	15.0	19.3	7.8	8.5	0.5	5,000
SRB-51T-3					Tin-plated							
SRB-51-3.7					—							
SRB-51T-3.7					Tin-plated							
SRB-51-4					—							
SRB-51T-4					Tin-plated							
SRB-51-H5	—											
SRB-51T-H5	Tin-plated											
SRB-51-5		#24 to #22 (0.2 to 0.3)	1.3 to 1.7	Brass	—	2.5	7.0	9.3	2.9	4.6	0.32	15,000
SRB-51T-5					Tin-plated							
SRC-01-2.5					—							
SRC-01T-2.5	Tin-plated											
SRC-51-M3		#20 to #14 (0.5 to 2.0)	2.6 to 3.8	Brass	—	4.3	13.5	16.8	6.7	6.5	0.5	7,500
SRC-51T-M3					Tin-plated							
SRC-51-M3.5					—							
SRC-51T-M3.5					Tin-plated							
SRC-51T-M4	Tin-plated											
SRF-51-3		#20 to #14 (0.5 to 2.0)	2.6 to 3.8	Brass	—	4.3	11.5	15.3	4.8	7.5	0.5	7,500
SRF-51T-3					Tin-plated							
SRF-51-3.7					—							
SRF-51T-3.7					Tin-plated							
SRF-51T-4					—							
SRF-51-H5					Tin-plated							

RING TONGUE TERMINAL

Without insulation grip



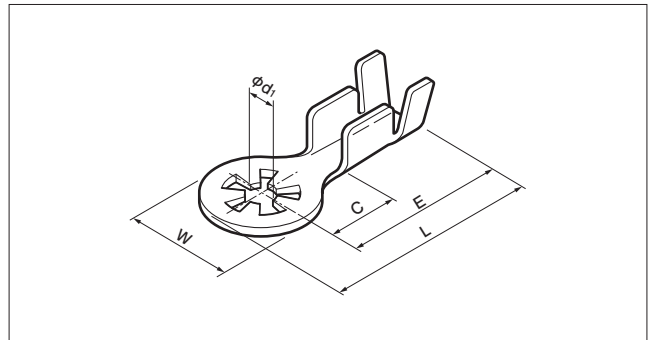
UL LISTED E42024


SP Certified LR20812


Model No.	Standard	Applicable wire range		Material	Surface finish	Dimensions (mm)					Q'ty/ reel
		Conductor size AWG (mm ²)				φd ₂ (dia.)	E	L	C	W	
SRA-20T-2.5	UL LISTED SP	#22 to #18 (0.3 to 0.75)		Brass	Tin-plated	7.5	9.8	4.2	4.6	0.4	15,000
SRA-20-3.2					—						
SRA-20T-3.2					Tin-plated						
SRA-50T-3	UL LISTED SP	#20 to #14 (0.5 to 2.0)		Brass	Tin-plated	8.7	12.5	4.7	7.5	0.5	10,000
SRA-50-3.7					—						
SRA-50T-3.7					Tin-plated						
SRA-50T-4					Tin-plated						
SRA-50T-H5					Tin-plated						
SRB-50-3	UL LISTED SP	#20 to #14 (0.5 to 2.0)		Brass	—	12.7	17.0	7.7	8.5	0.5	7,500
SRB-50T-3					Tin-plated						
SRB-50-3.7					—						
SRB-50T-3.7					Tin-plated						
SRB-50-4					—						
SRB-50T-4					Tin-plated						
SRB-50-H5					—						
SRB-50-5	—										
SRB-50T-5	Tin-plated										
SRC-50T-M3	UL LISTED SP	#20 to #14 (0.5 to 2.0)		Brass	Tin-plated	10.0	13.3	6.7	6.5	0.5	15,000
SRC-50T-M3.5					Tin-plated						
SRC-50-M4					—						
SRC-50T-M4					Tin-plated						
SRD-20-3.7	UL LISTED SP	#22 to #18 (0.3 to 0.75)		Brass	—	8.7	12.5	4.7	7.5	0.5	15,000
SRD-20T-3.7					Tin-plated						
SRD-20-4					—						
SRD-20T-4					Tin-plated						

RING TONGUE TERMINAL

With toothed lock



 Recognized E42024

Model No.	Standard	Applicable wire range		Material	Surface finish	Dimensions (mm)					Q'ty/reel	
		Conductor size AWG (mm ²)	Insulation O.D. (mm)			ϕd_1 (Note) (dia.)	E	L	C	W		Material thickness
SRT-51T-3 (FE)		#20 to #16 (0.5 to 1.25)	1.7 to 3.4	Iron	Tin-plated	4.1 (3.1)	12.2	16.8	6.1	9.2	0.5	5,000
SRT-51T-4 (FE)						5.1 (4.1)						

Note: The size in parentheses of ϕd_1 is the inner diameter of the toothed lock washer before raising the tooth.

Crimping machine, Applicator

Contact	Crimping machine	Applicator	Crimp applicator with dies
SRA-01 (T)-**	AP-K2N	MK-L	APLMK SRA01
SRA-20 (T)-**			APLMK SRA20
SRA-21 (T)-**			APLMK SRA21
SRA-50 (T)-**			APLMK SRA50
SRA-51 (T)-**			APLMK SRA51
SRB-50 (T)-**			APLMK SRB50
SRB-51 (T)-**			APLMK SRB51
SRC-01 (T)-**			APLMK SRC01
SRC-50 (T)-**			APLMK SRC50
SRC-51 (T)-**			APLMK SRC51
SRD-20 (T)-**			APLMK SRD20
SRF-51 (T)-**			APLMK SRF51
SRT-51 (T)-**			APLMK SRT51

Note: Contact JST for fully automatic crimping applicator.