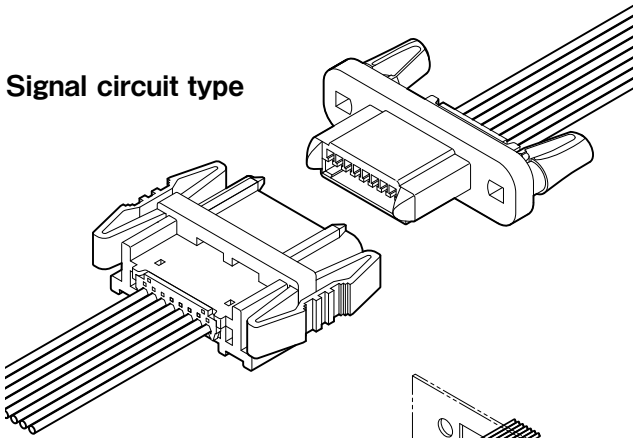


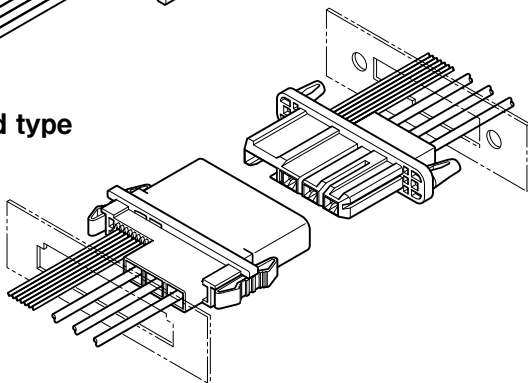
RIZ CONNECTOR

Wire-to-Wire connectors

Signal circuit type



Hybrid type



In unit connection, this RIZ connector is a hybrid type single row drawer connector with combined signal and power supply circuits, absorbs misalignment between units, and excels durability.

- Space saving
- Panel locking device
- High durability
- Hybrid type

Specifications

- Current rating: Signal circuit: 1.0 A AC/DC (AWG #26)
Power supply circuit: 15 A AC/DC (AWG #14)
- Voltage rating: Signal circuit: 50 V AC/DC
Power supply circuit: 250 V AC/DC
- Temperature range: -25°C to +85°C
(Including temperature rise in applying electrical current)
- Contact resistance:
 - Signal circuit: Initial value/ 40 mΩ max.
After environmental testing/ 60 mΩ max
 - Power supply circuit: Initial value/ 10mΩ max.
After environmental tests/ 20 mΩ max.
- Insulation resistance: 500 MΩ min.
- Withstanding voltage: Signal circuit: 500 VAC
Power supply circuit: 1,500 VAC
- Applicable wire range:
 - Power supply circuit: Conductor size/ AWG #24 to #14
Insulation O.D./ φ 1.4 mm to φ 3.6 mm
 - Signal circuit: Applicable socket/ CZ & CZH Connectors
- Guarantee of repeated mating/unmating performance: 20000 cycles

* Please refer to the "Handling Precautions for Terminals and Connectors" on our website (listed in the "Technical Documents" column on the Product Information page) before use.

* RoHS2 compliance

* Dimensional unit: mm

* Contact JST for details.

Standard

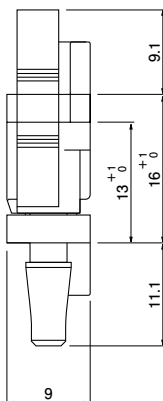
For information on overseas standard registrations, please refer to the "List of Registered Overseas Standards" on our website (listed in the "Technical Documents" column on the Product Information page).

※ The general specifications mentioned above are defined in the product specifications for this series.

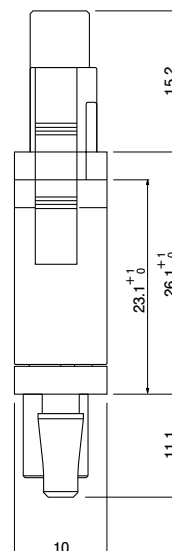
Please note that registered standards may differ.

Assembly layout

Signal circuit type



Hybrid type



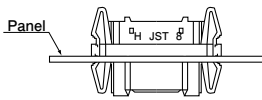
Panel layout

Plug

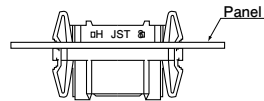
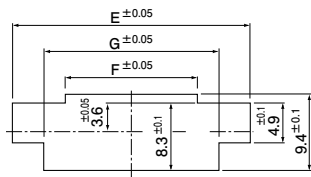
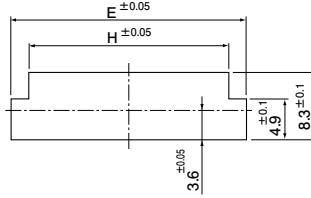
Signal circuit type

Panel thickness: 1.2 mm, 1.6 mm, 2.0 mm

When mounting from mating side



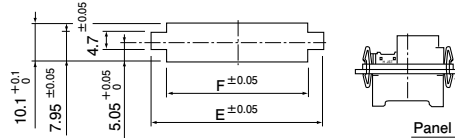
When mounting from socket side



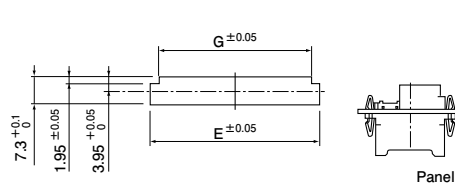
Hybrid type

Panel thickness: 1.2 mm, 1.6 mm, 2.0 mm

When mounting from mating side



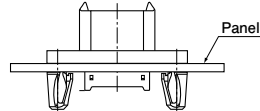
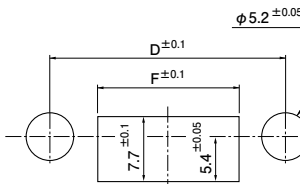
When mounting from socket side



Receptacle

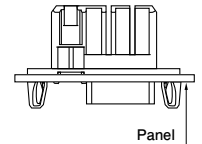
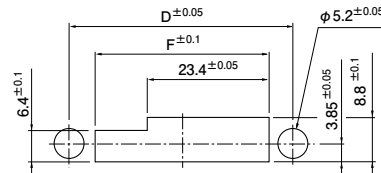
Signal circuit type

Panel thickness: 2.0 mm



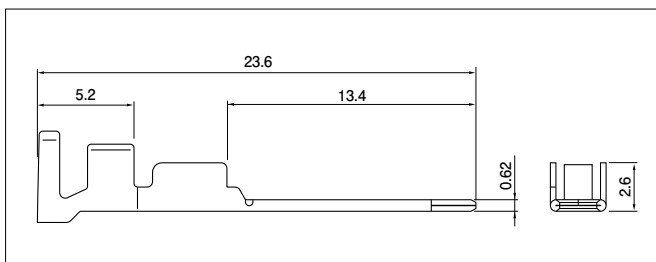
Hybrid type

Panel thickness: 2.0 mm



- Note: 1. Punch holes in the panel according to the figures shown above. Burrs must be removed.
2. The strength of the panel must be considered when punching two or more holes.
3. The connector must be inserted from the same side as the hole is punched.

Plug contact for power supply circuit



Model No.	Applicable wire range		Insulation O.D. (mm)	Q'ty/reel
	mm ²	AWG #		
SRWM-01GG-S0.6	0.2 to 0.5	24 to 20	1.4 to 1.9	4,000
SRWM-21GG-S0.6	0.3 to 0.75	22 to 18	1.55 to 3.1	3,000
SRWM-61GG-S0.6	0.75 to 2.0	18 to 14	2.0 to 3.6	3,000

Material and Surface finish, etc.

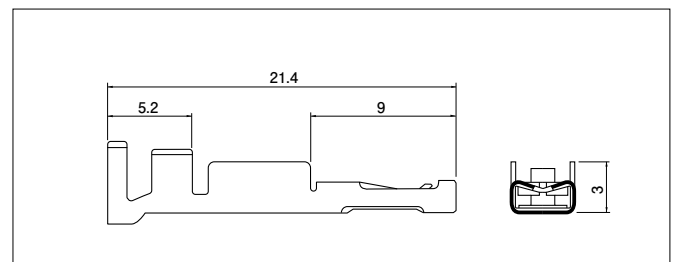
Copper alloy, nickel-undercoated, selective gold-plated, tin-plated

RoHS2 compliance This product displays (LF)(SN) on a label.

Contact	Crimping machine	Applicator		
		Crimp applicator	Dies	Crimp applicator with dies
SRWM-01GG-S0.6	AP-K2N	MKS-L	MK/SRPF/M-01-06	APLMK SRPF/M01-06
SRWM-21GG-S0.6			MK/SRPF/M-21-06	APLMK SRPF/M21-06
SRWM-61GG-S0.6			MK/SRPF/M-61-06	APLMK SRPF/M61-06

Note: Contact JST for fully automatic crimping applicator.

Receptacle contact for power supply circuit



Model No.	Applicable wire range		Insulation O.D. (mm)	Q'ty/reel
	mm ²	AWG #		
SRWF-01GG-M0.6	0.2 to 0.5	24 to 20	1.4 to 1.9	4,000
SRWF-21GG-M0.6	0.3 to 0.75	22 to 18	1.55 to 3.1	3,000
SRWF-61GG-M0.6	0.75 to 2.0	18 to 14	2.0 to 3.6	3,000

Material and Surface finish, etc.

Copper alloy, nickel-undercoated, selective gold-plated, tin-plated

RoHS2 compliance This product displays (LF)(SN) on a label.

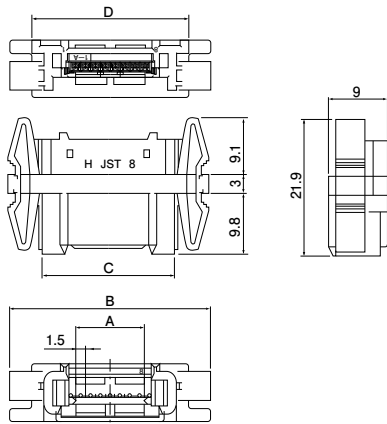
Contact	Crimping machine	Applicator		
		Crimp applicator	Dies	Crimp applicator with dies
SRWF-01GG-M0.6	AP-K2N	MKS-L	MK/SRPF/M-01-06	APLMK SRPF/M01-06
SRWF-21GG-M0.6			MK/SRPF/M-21-06	APLMK SRPF/M21-06
SRWF-61GG-M0.6			MK/SRPF/M-61-06	APLMK SRPF/M61-06

Note: Contact JST for fully automatic crimping applicator.

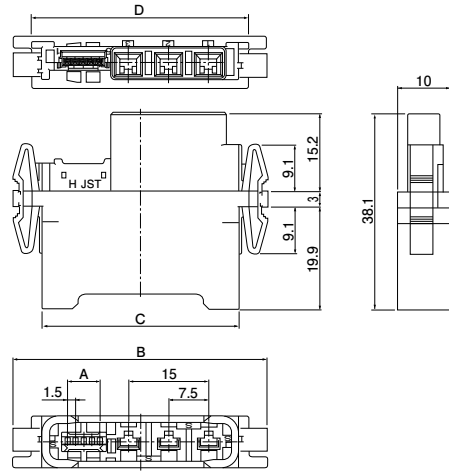
RIZ CONNECTOR

Plug

Signal circuit type



Hybrid type (Connector with integrated signal and power)



No. of circuits	Model No.	Dimensions (mm)										Q'ty/box
		A	B	C	D	E		F	G	H		
4	04P-RIZ-K2GG-RL	4.5	24.7	14.1	17.8	22.1	22.3	9.4	14.5	18.2	80	
6	06P-RIZ-K2GG-RL	7.5	27.7	17.1	20.8	25.1	25.3	12.4	17.5	21.2	80	
8	08P-RIZ-K2GG-RL	10.5	30.7	20.1	23.8	28.1	28.3	15.4	20.5	24.2	80	
10	10P-RIZ-K2GG-RL	13.5	33.7	23.1	26.8	31.1	31.3	18.4	23.5	27.2	80	
14	14P-RIZ-K2GG-RL	19.5	39.7	29.1	32.8	37.1	37.3	24.4	29.5	33.2	80	

Material and Surface finish, etc.

Contact: Copper alloy, nickel-undercoated, selective gold-plated, tin-plated
Housing: Thermoplastic resin, black

RoHS2 compliance This product displays (LF)(SN) on a label.

※ For flame retardant grade of resin material used, please refer to the "List of Registered Overseas Standards" on our website (listed in the "Technical Documents" column on the Product Information page).

No. of circuits	Model No.	Dimensions (mm)										Q'ty/box
		A	B	C	D	E		F	G			
7	07P-RIZ-K2GG-S3RL	9.0	50.3	39.7	43.4	47.7	47.9	39.9	43.6	60		
8	08P-RIZ-K2GG-S3RL	10.5	51.8	41.2	44.9	49.2	49.4	41.4	45.1	80		
13	13P-RIZ-K2GG-S3RL	18.0	59.3	48.7	52.4	56.7	56.9	48.9	52.6	45		

Material and Surface finish, etc.

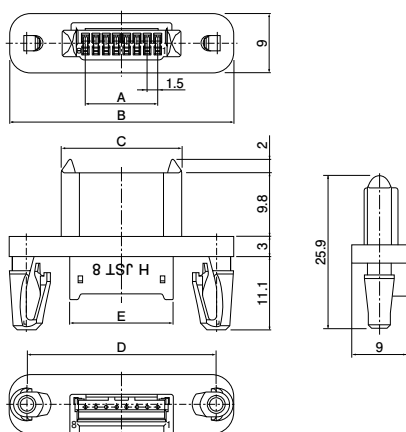
Contact: Copper alloy, nickel-undercoated, selective gold-plated, tin-plated
Housing: Thermoplastic resin, black

RoHS2 compliance This product displays (LF)(SN) on a label.

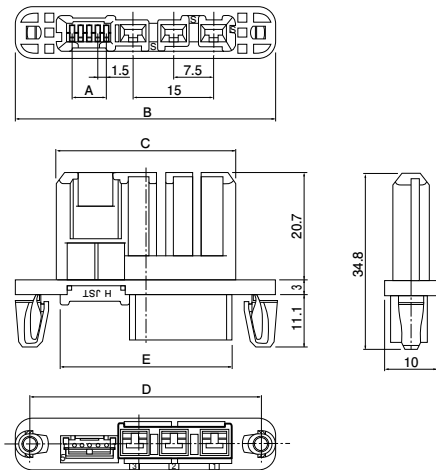
※ For flame retardant grade of resin material used, please refer to the "List of Registered Overseas Standards" on our website (listed in the "Technical Documents" column on the Product Information page).

Receptacle

Signal circuit type



Hybrid type (Connector with integrated signal and power)



No. of circuits	Model No.	Dimensions (mm)							Q'ty/box
		A	B	C	D	E	F		
4	04R-RIZ-K4GG-FL	4.5	26.5	11.3	21.6	9.0	10.8	80	
6	06R-RIZ-K4GG-FL	7.5	29.5	14.3	24.6	12.0	13.8	80	
8	08R-RIZ-K4GG-FL	10.5	32.5	17.3	27.6	15.0	16.8	80	
10	10R-RIZ-K4GG-FL	13.5	35.5	20.3	30.6	18.0	19.8	80	
14	14R-RIZ-K4GG-FL	19.5	41.5	26.3	36.6	24.0	25.8	60	

Material and Surface finish, etc.

Contact: Copper alloy, nickel-undercoated, selective gold-plated, tin-plated
Housing: Thermoplastic resin, black

RoHS2 compliance This product displays (LF)(SN) on a label.

※ For flame retardant grade of resin material used, please refer to the "List of Registered Overseas Standards" on our website (listed in the "Technical Documents" column on the Product Information page).

No. of circuits	Model No.	Dimensions (mm)							Q'ty/box
		A	B	C	D	E	F		
7	07R-RIZ-K4GG-SQ3FL	9.0	52.6	36.5	47.7	35.1	36.9	75	
8	08R-RIZ-K4GG-SQ3FL	10.5	54.1	38.0	49.2	36.6	38.4	75	
13	13R-RIZ-K4GG-SQ3FL	18.0	61.6	45.5	56.7	44.1	45.9	60	

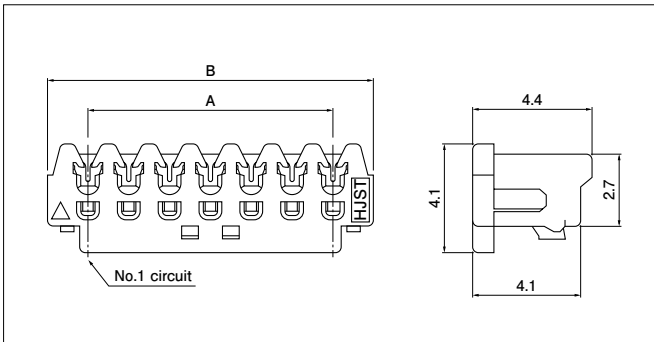
Material and Surface finish, etc.

Contact: Copper alloy, nickel-undercoated, selective gold-plated, tin-plated
Housing: Thermoplastic resin, black

RoHS2 compliance This product displays (LF)(SN) on a label.

※ For flame retardant grade of resin material used, please refer to the "List of Registered Overseas Standards" on our website (listed in the "Technical Documents" column on the Product Information page).

CZ connector socket



No. of circuits	Model No.	Dimensions (mm)		Q'ty/box
		A	B	
4	04CZ-6H	4.5	7.5	2,000
6	06CZ-6H	7.5	10.5	2,000
7	07CZ-6H	9.0	12.0	2,000
8	08CZ-6H	10.5	13.5	2,000
10	10CZ-6H	13.5	16.5	1,000
13	13CZ-6H	18.0	21.0	1,000
14	14CZ-6H	19.5	22.5	1,000

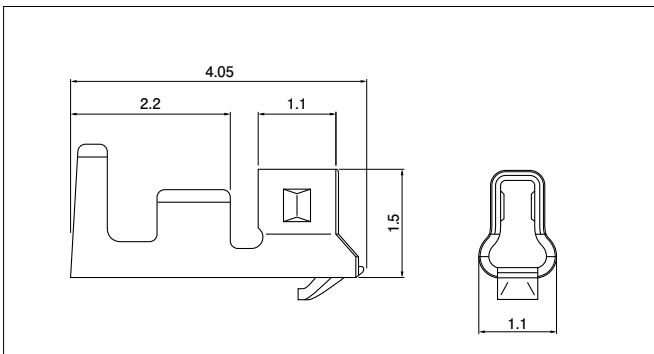
Material and Surface finish, etc.

Contact: Copper alloy, tin-plated
Housing: Thermoplastic resin, natural

RoHS2 compliance

※ For flame retardant grade of resin material used, please refer to the "List of Registered Overseas Standards" on our website (listed in the "Technical Documents" column on the Product Information page).

CZH connector contact



Model No.	Applicable wire range		Insulation O.D. (mm)	Q'ty/reel
	mm ²	AWG #		
SCZH-002T-P0.5	0.08 to 0.13	28 to 26	0.8 to 1.1	13,000

Material and Surface finish, etc.

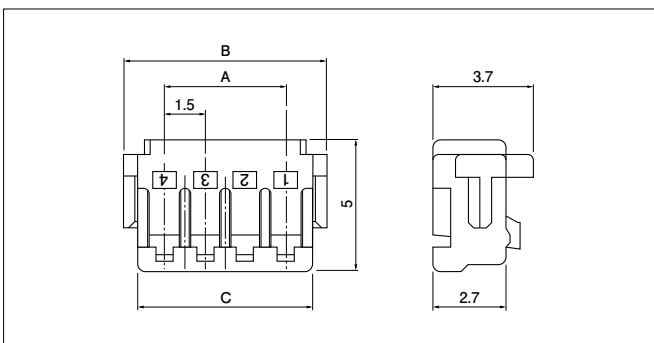
Copper alloy, tin-plated

RoHS2 compliance

Contact	Crimping machine	Applicator		
		Crimp applicator	Dies	Crimp applicator with dies
SCZH-002T-P0.5	AP-K2N	MKS-L	MK/SCZH-002-05	APLMK SCZH002-05

Note: Contact JST for fully automatic crimping applicator.

CZH connector housing



No. of circuits	Model No.	Dimensions (mm)			Q'ty/box
		A	B	C	
4	CZHR-04V-S	4.5	7.5	6.5	1,000
6	CZHR-06V-S	7.5	10.5	9.5	1,000
7	CZHR-07V-S	9.0	12.0	11.0	1,000
8	CZHR-08V-S	10.5	13.5	12.5	1,000
10	CZHR-10V-S	13.5	16.5	15.5	1,000
13	CZHR-13V-S	18.0	21.0	20.0	1,000
14	CZHR-14V-S	19.5	22.5	21.5	1,000

Material and Surface finish, etc.

Thermoplastic resin, natural

RoHS2 compliance

※ For flame retardant grade of resin material used, please refer to the "List of Registered Overseas Standards" on our website (listed in the "Technical Documents" column on the Product Information page).