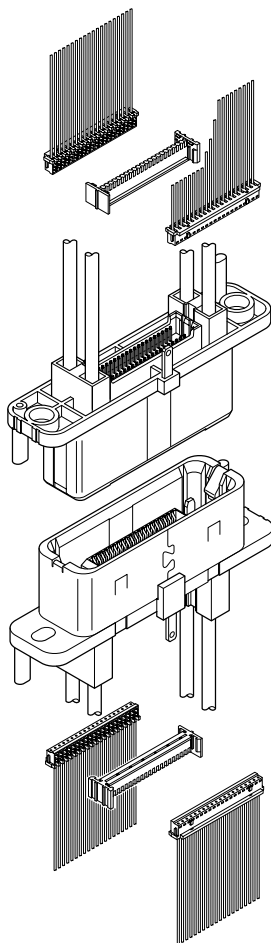


# RPZ CONNECTOR



**Power supply circuit and signal circuit integrated hybrid drawer connector.**



## Features

### • Durability

The contacts are bellows type, thus the connector is guaranteed for 20,000 mating cycles.

### • ESD shielding

Both plug and receptacle have the ESD shielding shell.

### • Grounding device

For the grounding purpose, #110 tab is equipped with this connector.

## Specifications

- Current rating: Signal circuit 1.0A AC, DC (AWG #26)  
Power supply circuit 15A AC, DC (AWG #14)  
Tab 10A AC, DC (PS connector AWG #16)
- Voltage rating: Signal circuit 50V AC, DC  
Power supply circuit 250V AC, DC
- Temperature range: -25°C to +85°C  
(including temperature rise in applying electrical current)
- Contact resistance: Signal circuit Initial value/40m Ω max.  
After environmental testing/60m Ω max.  
Power supply circuit Initial value/10m Ω max.  
After environmental testing/20m Ω max.
- Insulation resistance: 500M Ω min.
- Withstanding voltage: Power-Signal 3,000V AC/minute  
Power-Grounding 1,500V AC/minute  
Power-Shell 1,500V AC/minute
- Applicable wire: Conductor Power supply circuit AWG #24 to #14  
Tab(PS connector) AWG #24 to #16  
Insulation O.D. Power supply circuit 1.4 to 3.6mm  
Tab(PS connector) 1.0 to 3.4mm

\* Compliant with RoHS.

\* Refer to "General Instruction and Notice when using Terminals and Connectors" at the end of this catalog.

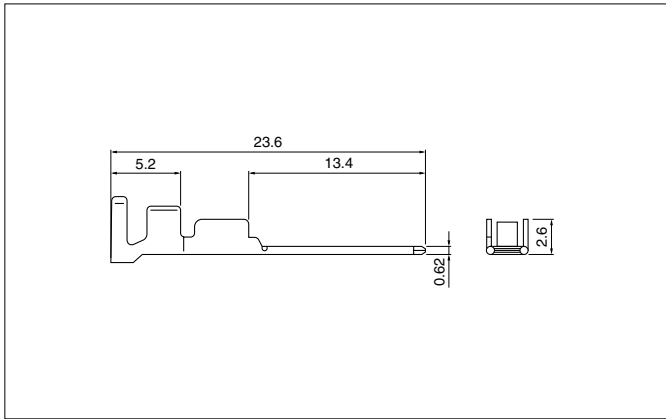
\* Contact JST for details.

## Standards

Recognized E 60389

Certified LR 20812

## Power supply circuit contact plug



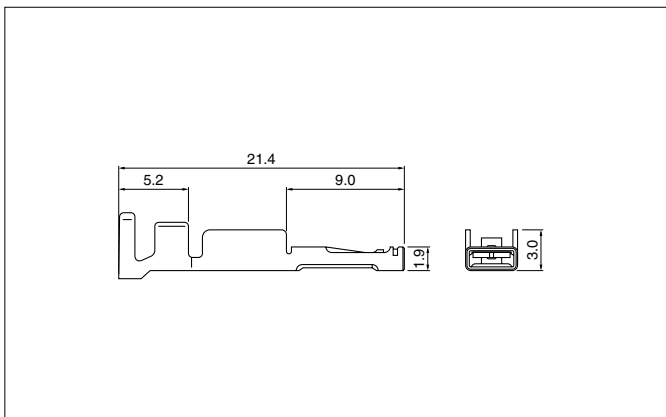
Model No.	Applicable wire			Q'ty / reel
	mm <sup>2</sup>	AWG #	Insulation O.D. (mm)	
<b>SRPM-61GG-P0.6</b>	0.75 to 2.0	18 to 14	2.0 to 3.6	3,000
<b>SRPM-01GG-P0.6</b>	0.2 to 0.5	24 to 20	1.4 to 1.9	4,000

### Material and Finish

Copper alloy, nickel-undercoated, Mating part; gold-plated  
Crimping part; tin-plated (reflow treatment)

**RoHS compliance** This product displays (LF)(SN) on a label.

## Power supply circuit contact receptacle



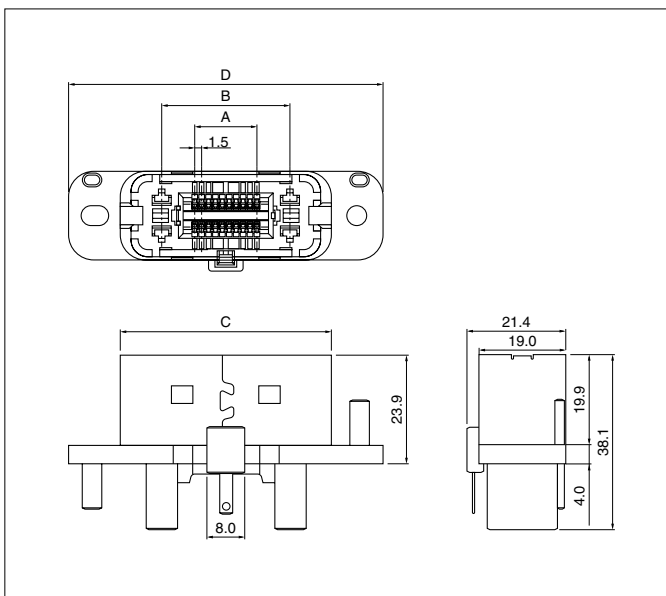
Model No.	Applicable wire			Q'ty / reel
	mm <sup>2</sup>	AWG #	Insulation O.D. (mm)	
<b>SRPF-61GG-P0.6</b>	0.75 to 2.0	18 to 14	2.0 to 3.6	3,000
<b>SRPF-01GG-P0.6</b>	0.2 to 0.5	24 to 20	1.4 to 1.9	4,000

### Material and Finish

Copper alloy, nickel-undercoated, Mating part; gold-plated  
Crimping part; tin-plated (reflow treatment)

**RoHS compliance** This product displays (LF)(SN) on a label.

## Plug



Circuits	Model No.	Dimensions (mm)							Q'ty/box
		A	B	C	D	E	F	G	
20	<b>20P-RPZV-K4GG</b>	13.5	27.5	45.6	67.5	35.1	56.5	46.6	120
24	<b>24P-RPZV-K4GG</b>	16.5	30.5	48.6	70.5	38.1	59.5	49.6	120
26	<b>26P-RPZV-K4GG</b>	18.0	32.0	50.1	72.0	39.6	61.0	51.1	120
32	<b>32P-RPZV-K4GG</b>	22.5	36.5	54.6	76.5	44.1	65.5	55.6	120
40	<b>40P-RPZV-K4GG</b>	28.5	42.5	60.6	82.5	50.1	71.5	61.6	120

### Material and Finish

Contact: Copper alloy, nickel-undercoated, selective gold-plated, tin-plated (reflow treatment)  
Housing: PBT, UL94V-0

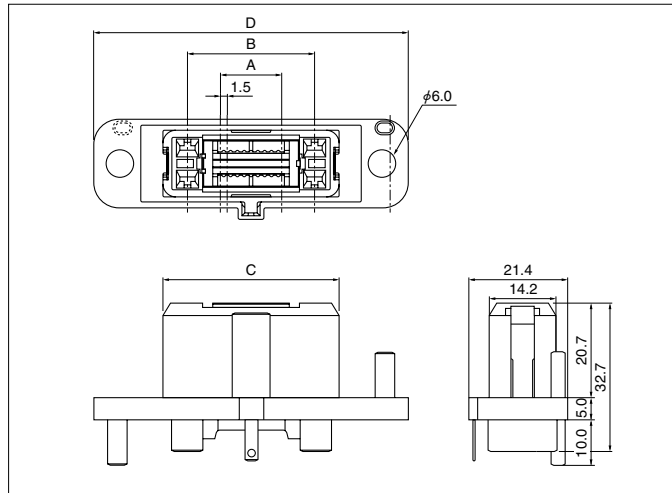
Solder tab: Copper alloy, nickel-plated

Shell: Copper alloy, nickel-plated

**RoHS compliance** This product displays (LF)(SN) on a label.

# RPZ CONNECTOR

## Receptacle



Circuits	Model No.	Dimensions (mm)							Q'ty / box
		A	B	C	D	E	F	G	
20	20R-RPZV-K2GG	13.5	27.5	37.5	69.5	49.6	58.5	40.5	120
24	24R-RPZV-K2GG	16.5	30.5	40.5	72.5	52.6	61.5	43.5	120
26	26R-RPZV-K2GG	18.0	32.0	42.0	74.0	54.1	63.0	45.0	120
32	32R-RPZV-K2GG	22.5	36.5	46.5	78.5	58.6	67.5	49.5	120
40	40R-RPZV-K2GG	28.5	42.5	52.5	84.5	64.6	73.5	55.5	120

### Material and Finish

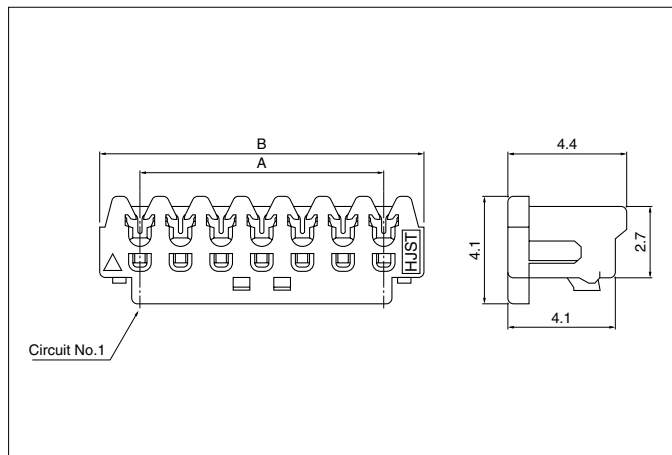
Contact: Copper alloy, nickel-undercoated, selective gold-plated, tin-plated (reflow treatment)

Housing: PBT, UL94V-0

Shell: Copper alloy, nickel-plated

**RoHS compliance** This product displays (LF)(SN) on a label.

## CZ connector socket



Circuits	Model No.		Dimensions (mm)		Q'ty / box
	Gray	Yellow	A	B	
10	10CZ-6H	10CZ-6Y	13.5	16.5	1,000
12	12CZ-6H	12CZ-6Y	16.5	19.5	1,000
13	13CZ-6H	13CZ-6Y	18.0	21.0	1,000
16	16CZ-6H	16CZ-6Y	22.5	25.5	1,000
20	20CZ-6H	20CZ-6Y	28.5	31.5	1,000

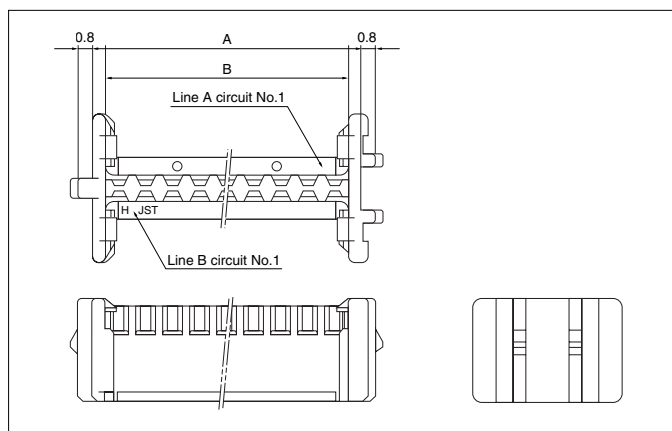
### Material and Finish

Contact: Copper alloy, tin-plated (reflow treatment)

Housing: Glass-filled PA 66, UL94V-0

**RoHS compliance**

## CZW connector socket holder



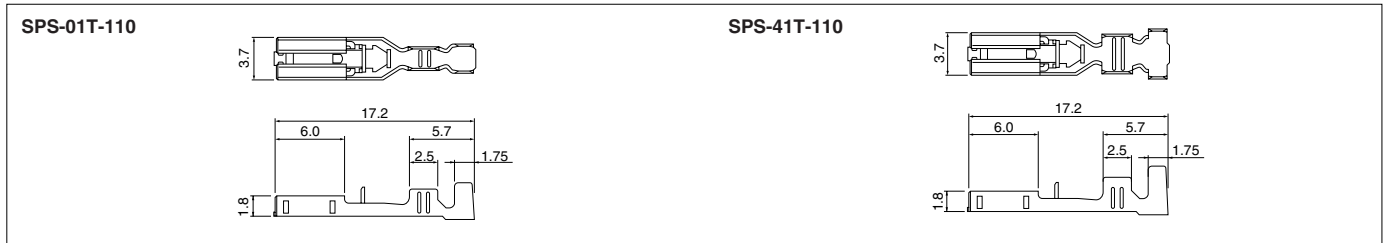
Circuits	Model No.	Dimensions (mm)		Q'ty / box
		A	B	
20	CZWH-20-S	17.9	16.5	1,000
24	CZWH-24-S	20.9	19.5	1,000
26	CZWH-26-S	22.4	21.0	1,000
32	CZWH-32-S	26.9	25.5	1,000
40	CZWH-40-S	32.9	31.5	1,000

### Material

PBT, UL94V-0

**RoHS compliance**

## PS contact



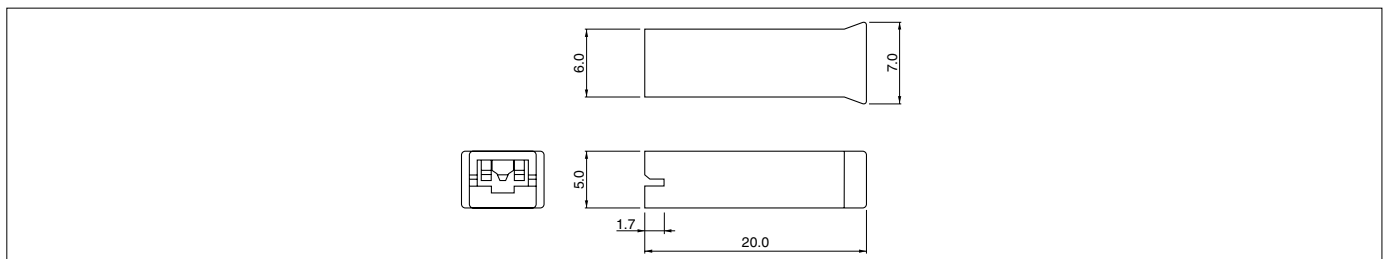
Model No.	Applicable wire			Q'ty / reel
	mm <sup>2</sup>	AWG #	Insulation O.D. (mm)	
SPS-01T-110	0.21 to 0.5	24 to 20	1.0 to 2.5	10,000
SPS-41T-110	0.5 to 1.25	20 to 16	1.9 to 3.4	10,000

### Material and Finish

Brass, tin-plated (reflow treatment)

RoHS compliance

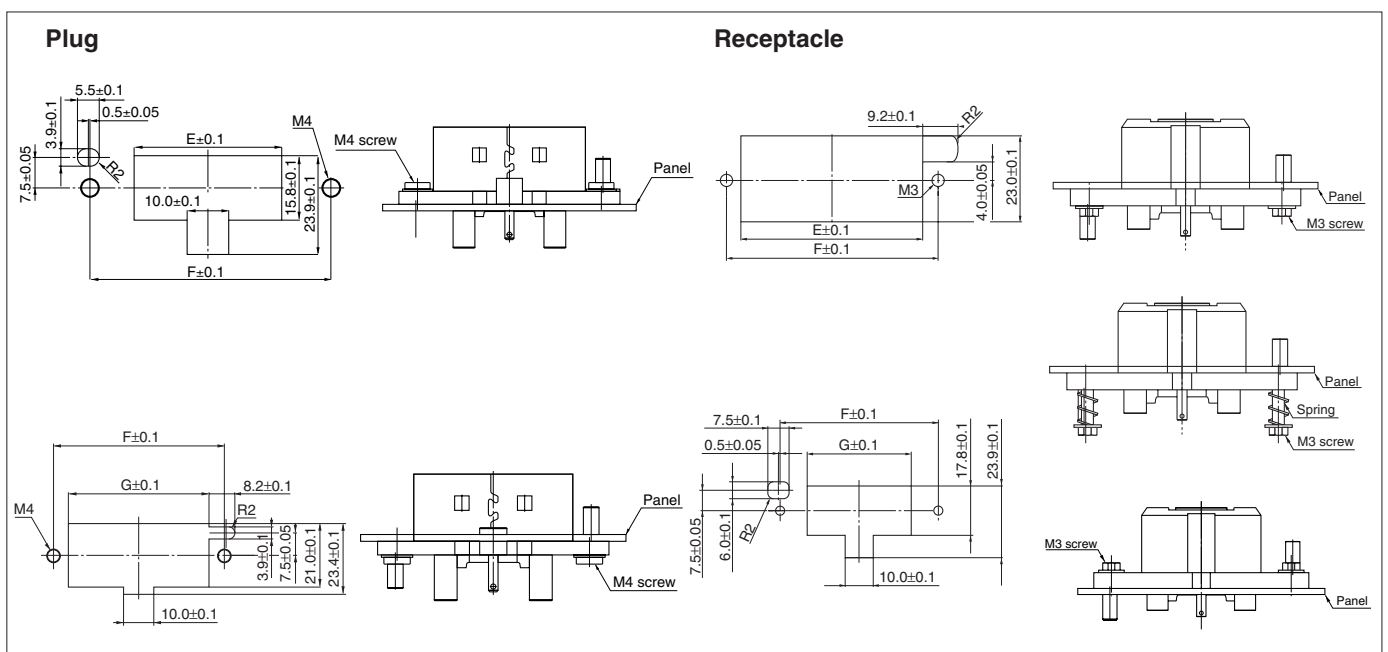
## PS housing



Model No.	Material	Q'ty / bag
PS-110	PA 66, UL94V-0, natural (white)	1,000

RoHS compliance

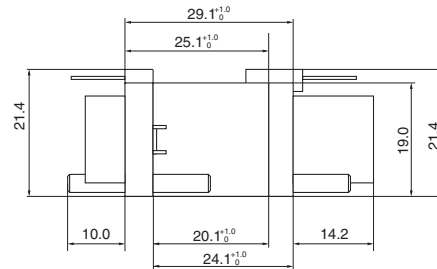
## Panel layout



- Note: 1. Reference layout when misalignment of the mating axis is to be absorbed.  
 2. Punch holes in the panel according to the sketch and table shown above. Burrs must be removed.  
 3. The strength of the panel must be considered when punching two or more holes.  
 4. The connector must be inserted from the same side as the hole is punched.

# RPZ CONNECTOR

## Assembly layout



## Crimping machine, Applicator

Contact	Crimping machine	Crimp applicator	Dies	Crimp applicator with dies
SPS-01T-110	AP-K2N	MKS-L-SPS	MK/SPS-01-110	APLMK SPS01-110
SPS-41T-110		MKS-L-SPS	MK/SPS-41-110	APLMK SPS41-110
SRPM-01GG-P0.6		MKS-L	MK/SRPF/M-01-06	APLMK SRPF/M01-06
SRPM-61GG-P0.6		MKS-L	MK/SRPF/M-61-06	APLMK SRPF/M61-06
SRPF-01GG-P0.6		MKS-L	MK/SRPF/M-01-06	APLMK SRPF/M01-06
SRPF-61GG-P0.6		MKS-L	MK/SRPF/M-61-06	APLMK SRPF/M61-06