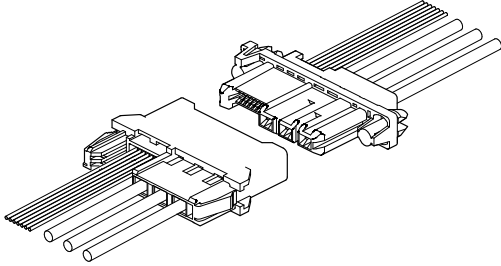


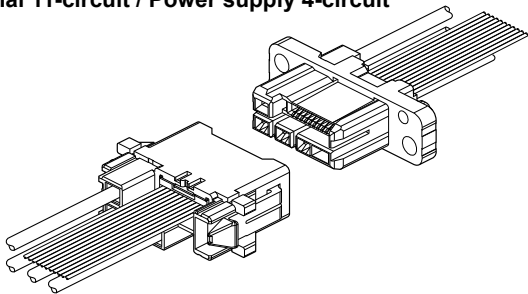
RVE CONNECTOR

Disconnectable Crimp style Wire-to-wire connectors

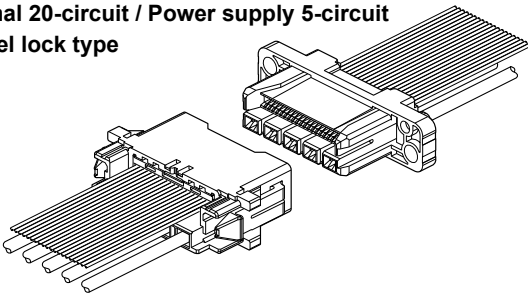
Signal 7-circuit / Power supply 3-circuit



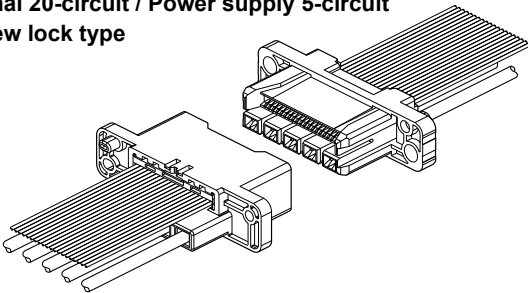
Signal 11-circuit / Power supply 4-circuit



Signal 20-circuit / Power supply 5-circuit
Panel lock type



Signal 20-circuit / Power supply 5-circuit
Screw lock type



This connector is a hybrid type drawer connector to connect the units, absorbs misalignment between units, and it is possible to install with panel lock on plug side. This is drawer connector suitable for the place which is few in insertion and withdrawal cycles.

Specifications

- Current rating: Signal circuit; 1.0 A AC/DC (AWG #26)
Power supply circuit; 15 A AC/DC (AWG #14)
- Voltage rating: Signal circuit; 50 V AC/DC
Power supply circuit; 250 V AC/DC
- Temperature range: -25°C to +85°C
(including temperature rise in applying electrical current)
- Contact resistance:
 - Signal circuit Initial value/ 40 mΩ max.
After environmental tests/ 60 mΩ max.
 - Power supply circuit Initial value/ 10 mΩ max.
After environmental tests/ 20 mΩ max.
- Insulation resistance: 500 MΩ min.
- Withstanding voltage: Signal circuit 500 VAC
Power supply circuit 1,500 VAC
- Applicable wire: Power supply circuit
 - Conductor size/ AWG #24 to #14
 - Insulation O.D./ 01 type 1.4 to 1.9 mm
 - 61 type 2.0 to 3.6 mm
- Plug signal circuit
 - Conductor size/ AWG #28 to #26
 - Insulation O.D./ 0.78 to 1.1 mm
- Receptacle signal circuit
 - Applicable socket/ CZ, CZH connectors
- Guarantee of repeated mating/unmating performance: 100 cycles
- * In using the products, refer to "Handling Precaution for Terminal and Connector" described on our website (Technical documents of Product information page).
- * Contact JST for details.
- * RoHS2 compliance

Standards

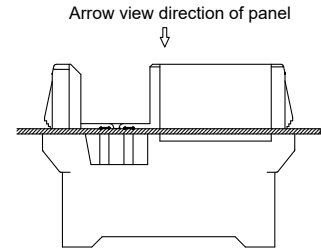
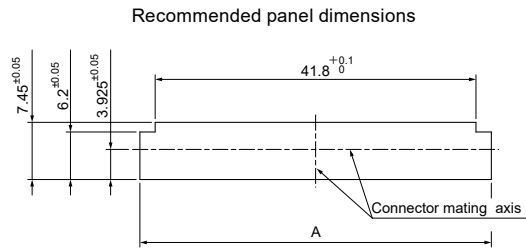
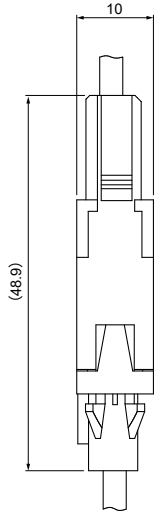
- Ⓜ Recognized E60389
- ⚠ R 50272137

Panel layout and Assembly layout

Signal 7-circuit / power supply 3-circuit

● Plug

Panel thickness: See the table on the right.

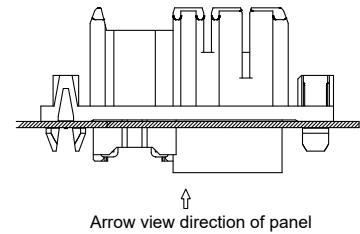
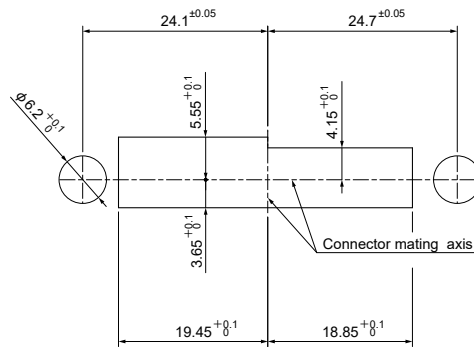


Panel thickness	A dimensions
t=1.2	45.8 ± 0.05
t=1.6, 2.0	46.1 ± 0.05

● Receptacle

Panel thickness: t0.8 to 2.0 mm

Recommended panel dimensions (Panel thickness : 1.2mm)



● Mating circuit

	Circuits
Plug signal unit	1
RVE Receptacle	1
CZH/CZ	1
	Circuits
Plug contact for power suply circuit	1
Receptacle contact for power supply circuits	1

- Note: 1. Punch holes in the panel according to the figures shown above. Burrs must be removed.
 2. The strength of the panel must be considered when punching two or more holes.
 3. The connector must be inserted from the same side as the hole is punched.

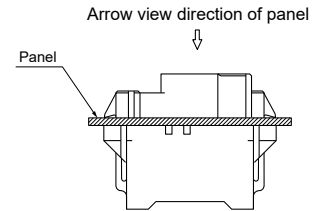
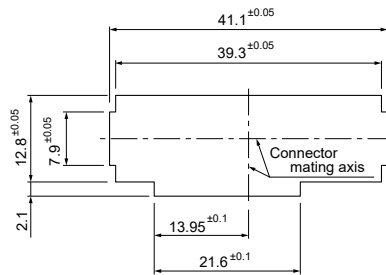
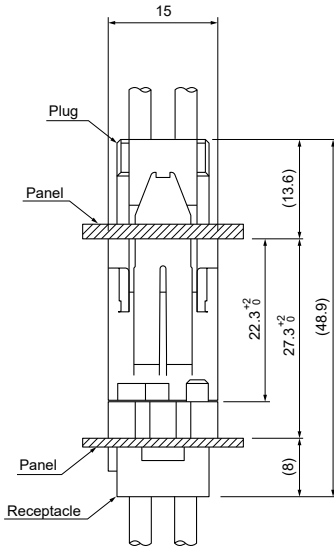
RVE CONNECTOR

Panel layout and Assembly layout

Signal 11-circuit / Power supply 4-circuit Panel lock type

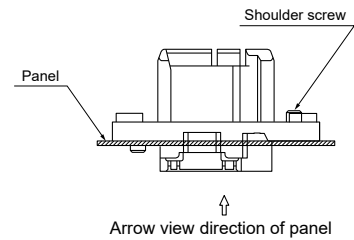
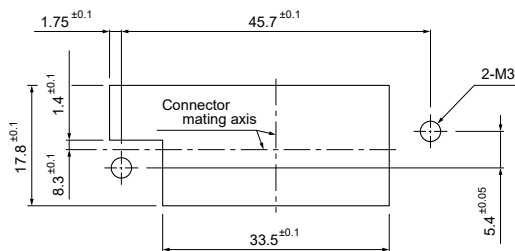
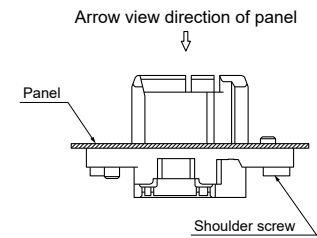
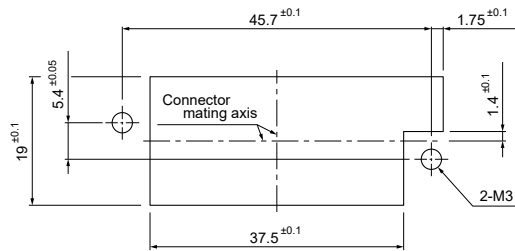
● Plug

Panel thickness: 2.0 mm



● Receptacle

Panel thickness: 0.8 to 2.0 mm



● Mating circuit

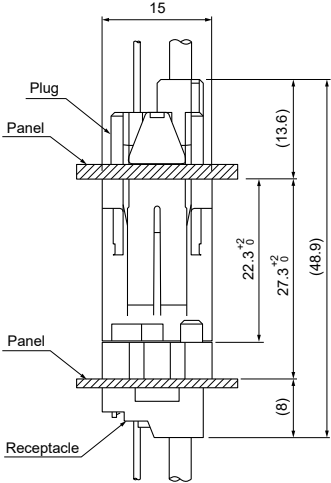
	Circuits
Plug signal unit	1
RVE Receptacle	1
CZH/CZ	1

	Circuits
Plug contact for power supply circuit	1
Receptacle contact for power supply circuit	1

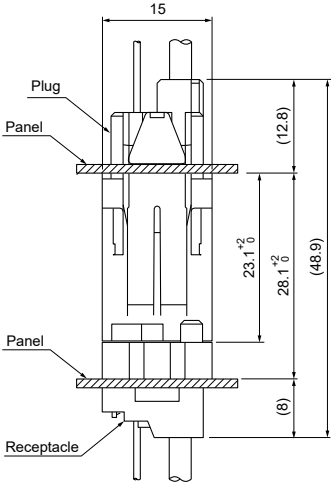
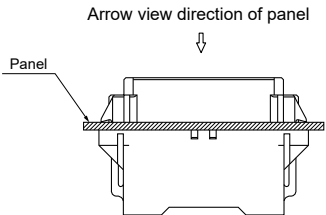
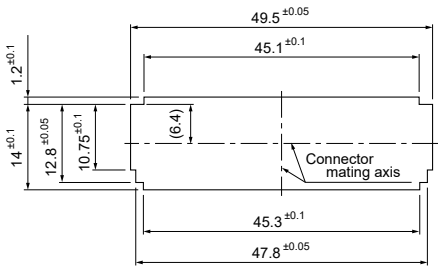
- Note: 1. Punch holes in the panel according to the figures shown above. Burrs must be removed.
2. The strength of the panel must be considered when punching two or more holes.
3. The connector must be inserted from the same side as the hole is punched.

Panel layout and Assembly layout

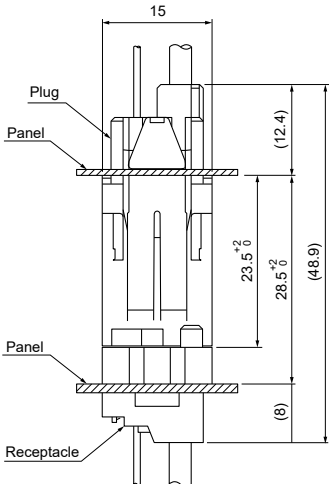
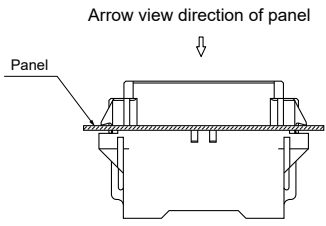
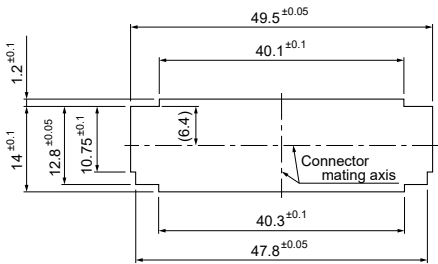
Signal 20-circuit / Power supply 5-circuit Panel lock type



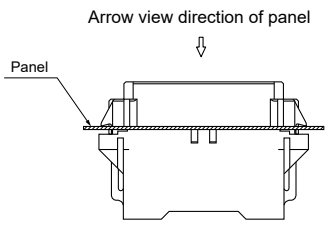
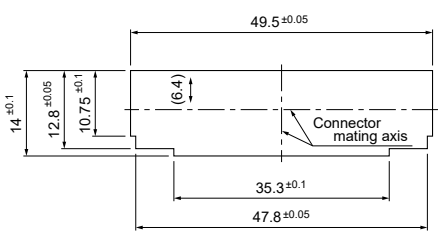
● Plug (Panel lock type) Panel thickness: 2.0 mm



Panel thickness: 1.2 or 1.0 mm



Panel thickness: 0.8 mm



- Note: 1. Punch holes in the panel according to the figures shown above. Burrs must be removed.
 2. The strength of the panel must be considered when punching two or more holes.
 3. The connector must be inserted from the same side as the hole is punched.

● Mating circuit

	Circuits
Plug signal unit	1
RVE Receptacle	1
CZH/CZ	1

	Circuits
Plug contact for power supply circuit	1
Receptacle contact for power supply circuit	1

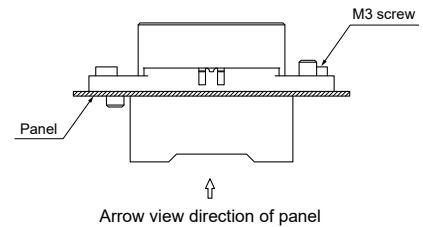
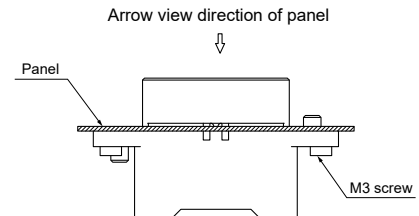
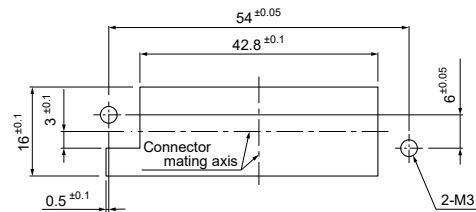
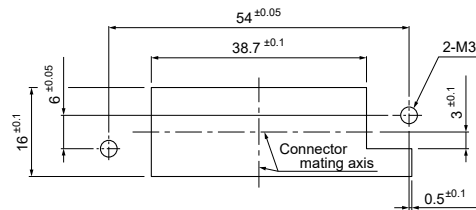
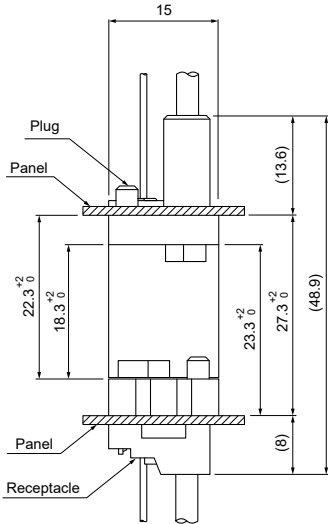
RVE CONNECTOR

Panel layout and Assembly layout

Signal 20-circuit / Power supply 5-circuit
Screw lock type

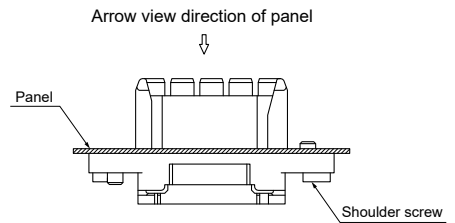
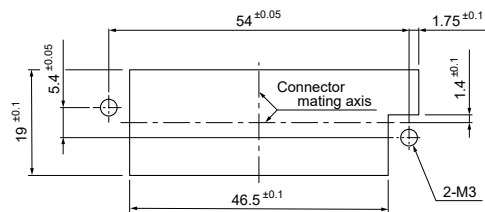
● Plug (Screw lock type)

Panel thickness: 0.8 to 2.0 mm

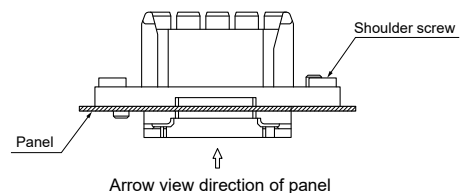
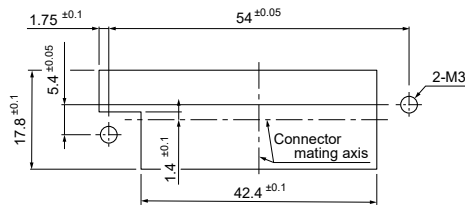


● Receptacle

Panel thickness: 0.8 to 2.0 mm



Panel thickness: 0.8 mm



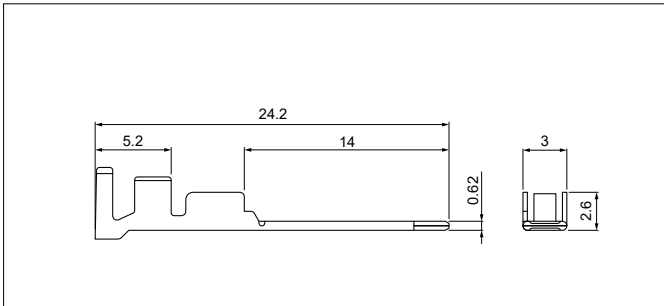
● Mating circuit

	Circuits
Plug signal unit	1
RVE Receptacle	1
CZH/CZ	1

	Circuits
Plug contact for power supply circuit	1
Receptacle contact for power supply circuit	1

- Note: 1. Punch holes in the panel according to the figures shown above. Burrs must be removed.
2. The strength of the panel must be considered when punching two or more holes.
3. The connector must be inserted from the same side as the hole is punched.

Plug contact for power supply circuit



Model No.	Applicable wire		Insulation O.D. (mm)	Q'ty/reel
	mm ²	AWG #		
SRICM-01T-S0.6	0.2~0.5	24~20	1.4~1.9	4,000
SRICM-61T-S0.6	0.75~2.0	18~14	2.0~3.6	3,000

Material and Finish

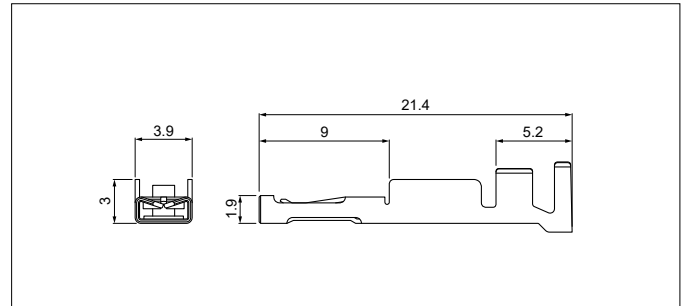
Copper alloy, tin-plated (reflow treatment)

RoHS2 compliance

Contact	Crimping machine	Applicator		
		Crimp applicator	Dies	Crimp applicator with dies
SRICM-01T-S0.6	AP-K2N	MKS-L	MK/SRPF/IC/M-01-06	APLMK SRPF/IC/M01-06
SRICM-61T-S0.6			MK/SRPF/IC/M-61-06	APLMK SRPF/IC/M61-06

Note: Contact JST for fully automatic crimping applicator.

Receptacle contact for power supply circuit



Model No.	Applicable wire		Insulation O.D. (mm)	Q'ty/reel
	mm ²	AWG #		
SRWF-01T-M0.6	0.2~0.5	24~20	1.4~1.9	4,000
SRWF-61T-M0.6	0.75~2.0	18~14	2.0~3.6	3,000

Material and Finish

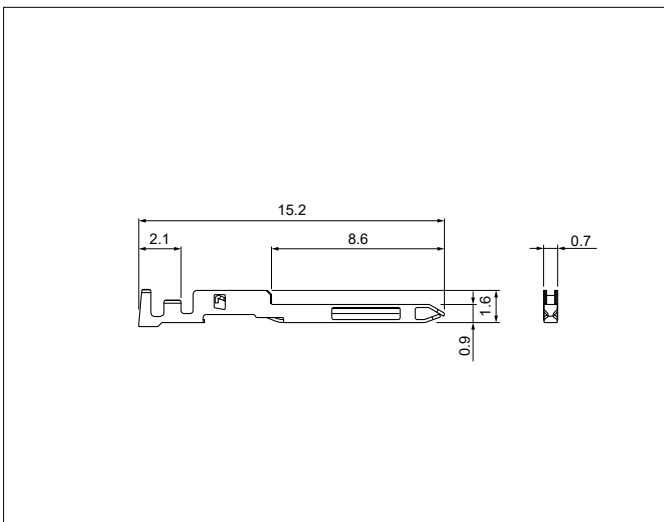
Copper alloy, tin-plated (reflow treatment)

RoHS2 compliance

Contact	Crimping machine	Applicator		
		Crimp applicator	Dies	Crimp applicator with dies
SRWF-01T-M0.6	AP-K2N	MKS-L	MK/SRPF/M-01-06	APLMK SRPF/M01-06
SRWF-61T-M0.6			MK/SRPF/M-61-06	APLMK SRPF/M61-06

Note: Contact JST for fully automatic crimping applicator.

Plug contact for signal circuit



Model No.	Applicable wire		Insulation O.D. (mm)	Q'ty/reel
	mm ²	AWG #		
SRWMP-002T-M0.9	0.08~0.13	28~26	0.78~1.1	18,000

Material and Finish

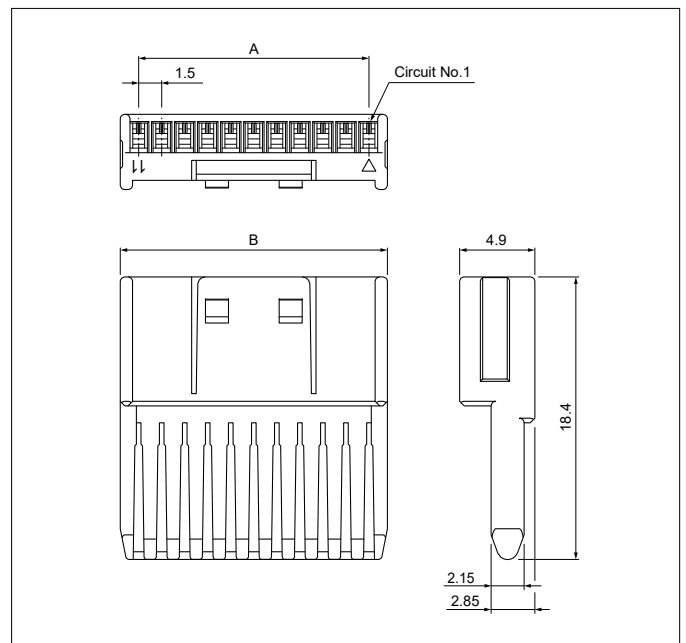
Copper alloy, nickel-undercoated, overall tin-plated (reflow treatment)

RoHS2 compliance This product displays (LF)(SN) on a label.

Contact	Crimping machine	Applicator		
		Crimp applicator	Dies	Crimp applicator with dies
SRWMP-002T-M0.9	AP-K2N	MKS-L-10-3	MK/SRWMP-002-09	APLMK SRWMP002-09

Note: Contact JST for fully automatic crimping applicator.

Plug signal unit



No. of circuits	Model No.	Dimensions (mm)		Q'ty/box
		A	B	
7	RWMYP-07-K	9.0	11.4	1,200
11	RWMYP-11-K	15.0	17.4	1,000
20	RWMYP-20-K	28.5	30.9	500

Material and Finish

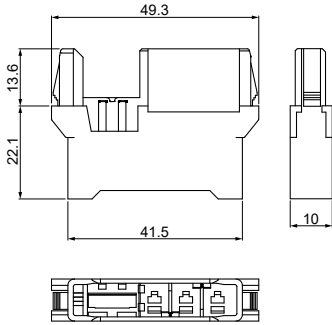
PBT, UL94V-0, black

RoHS2 compliance

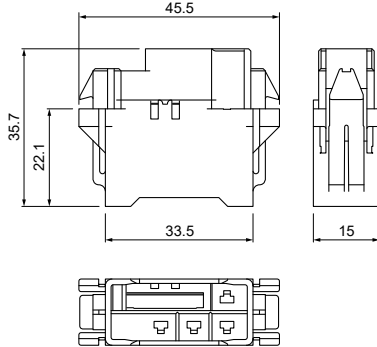
RVE CONNECTOR

Plug

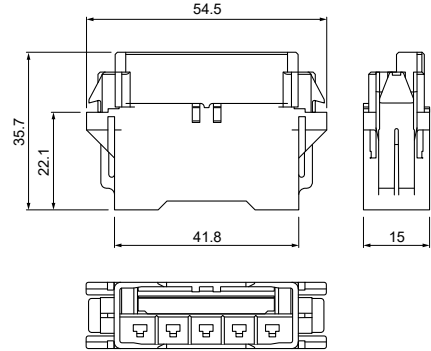
**Signal 7-circuit /
Power supply 3-circuit
(Panel lock type)**



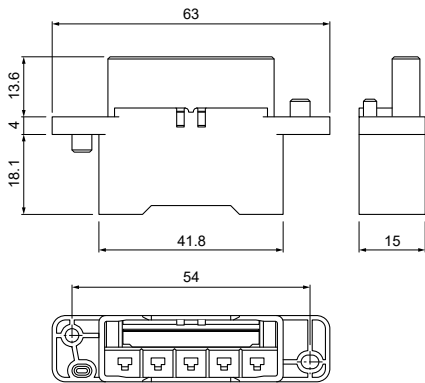
**Signal 11-circuit /
Power supply 4-circuit
(Panel lock type)**



**Signal 20-circuit /
Power supply 5-circuit
(Panel lock type)**



**Signal 20-circuit /
Power supply 5-circuit
(Screw lock type)**



Panel lock type

No. of circuits		Model No.	Q'ty/box
Power supply	Signal		
3	7	RVEP-07S3-K-RA-S	210
4	11	RVEP-11S4-K-R	216
5	20	RVEP-20S5-K-RA	168

Material and Finish

PBT, UL94V-0, black

RoHS2 compliance

Screw lock type

No. of circuits		Model No.	Q'ty/box
Power supply	Signal		
5	20	RVEP-20S5-K-N	168

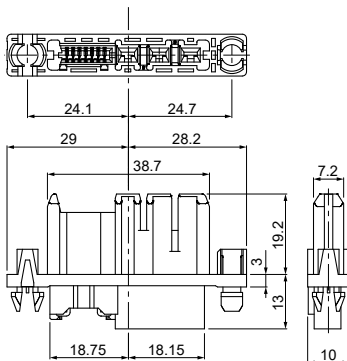
Material and Finish

PBT, UL94V-0, black

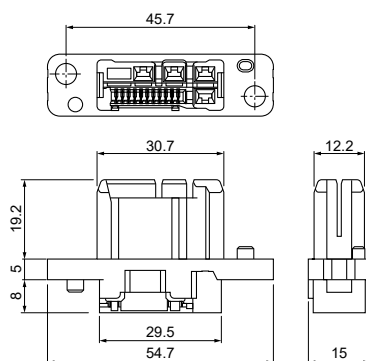
RoHS2 compliance

Receptacle

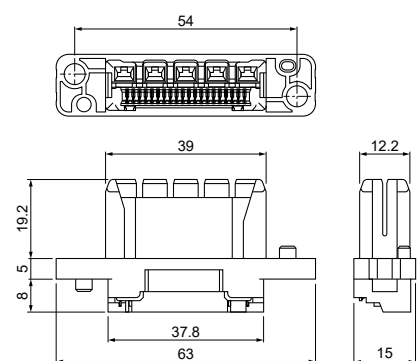
**Signal 7-circuit /
Power supply 3-circuit
(Screw lock type)**



**Signal 11-circuit /
Power supply 4-circuit
(Screw lock type)**



**Signal 20-circuit /
Power supply 5-circuit
(Screw lock type)**



No. of circuits		Model No.	Q'ty/box
Power supply	Signal		
3	7	07S3R-RVE-K-RF1.2T-S	210
4	11	11S4R-RVE-K-NT-4G	216
5	20	20S5R-RVE-K-NT-1G	168

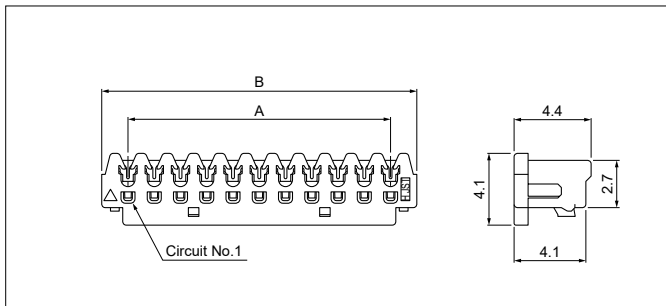
Material and Finish

Contact: Copper alloy, nickel-undercoated, overall tin-plated (reflow-treatment)
Housing: PBT, UL94V-0, black

RoHS2 compliance

RVE CONNECTOR

CZ Connector Socket



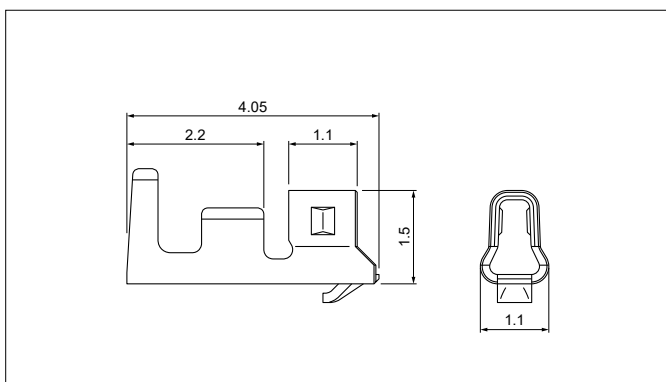
No. of circuits	Model No.		Dimensions (mm)		Q'ty/box
	Gray	Yellow	A	B	
7	07CZ-6H	07CZ-6Y	9.0	12.0	2,000
11	11CZ-6H	11CZ-6Y	15.0	18.0	1,000
20	20CZ-6H	20CZ-6Y	28.5	31.5	1,000

Material and Finish

Contact: Phosphor bronze, tin-plated (reflow treatment)
Housing: Glass-filled PA 66, UL94V-0

RoHS2 compliance

CZH Connector Contact



Model No.	Applicable wire		Insulation O.D. (mm)	Q'ty/reel
	mm ²	AWG #		
SCZH-002T-P0.5	0.08~0.13	28~26	0.8~1.1	13,000

Material and Finish

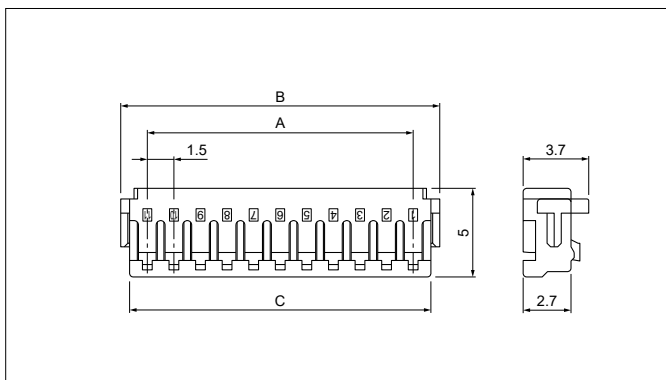
Phosphor bronze, tin-plated (reflow treatment)

RoHS2 compliance

Contact	Crimping machine	Applicator		
		Crimp applicator	Dies	Crimp applicator with dies
SCZH-002T-P0.5	AP-K2N	MKS-L	MK/SCZH-002-05	APLMK SCZH002-05

Note: Contact JST for fully automatic crimping applicator.

CZH Connector Housing



No. of circuits	Model No.	Dimensions (mm)			Q'ty/box
		A	B	C	
7	CZHR-07V-S	9.0	12.0	11.0	1,000
11	CZHR-11V-S	15.0	18.0	17.0	1,000
20	CZHR-20V-S	28.5	31.5	30.5	1,000

Material and Finish

PBT, UL94V-0, natural (white)

RoHS2 compliance