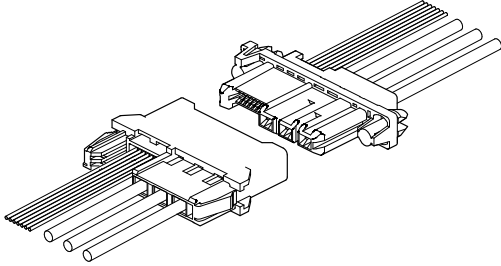


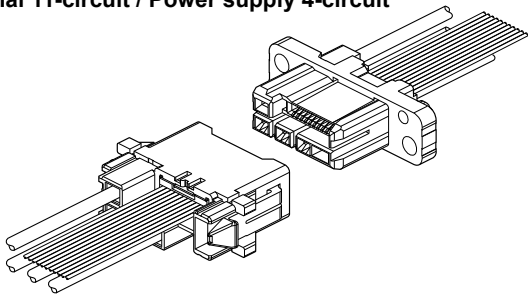
RVE CONNECTOR

Wire-to-Wire connectors

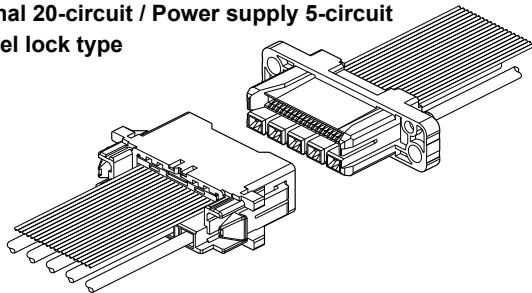
Signal 7-circuit / Power supply 3-circuit



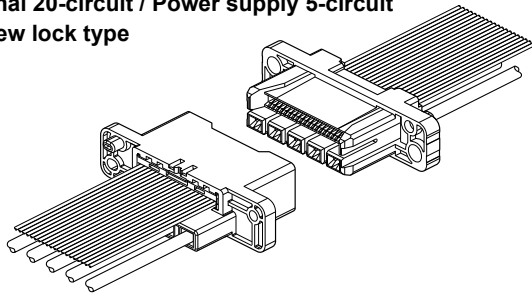
Signal 11-circuit / Power supply 4-circuit



Signal 20-circuit / Power supply 5-circuit
Panel lock type



Signal 20-circuit / Power supply 5-circuit
Screw lock type



This is a hybrid type drawer connector for unit connection. It has a function to absorb misalignment between units and the plug side can be installed with a panel lock. This drawer connector is ideal for locations with few insertion and withdrawal cycles.

Specifications

- Current rating: Signal circuit: 1.0 A AC/DC (AWG #26)
Power supply circuit: 15 A AC/DC (AWG #14)
- Voltage rating: Signal circuit: 50 V AC/DC
Power supply circuit: 250 V AC/DC
- Temperature range: -25°C to +85°C
(including temperature rise in applying electrical current)
- Contact resistance:

Signal circuit	Initial value/40 mΩ max. After environmental tests/60 mΩ max.
Power supply circuit	Initial value/10 mΩ max. After environmental tests/20 mΩ max.
- Insulation resistance: 500 MΩ min.
- Withstanding voltage: Signal circuit/500 VAC
Power supply circuit/1,500 VAC
- Applicable wire range:

Power supply circuit	Conductor size/AWG #24 to #14 Insulation O.D./01 type φ 1.4 to φ 1.9 mm 61 type φ 2.0 to φ 3.6 mm
Plug signal circuit	Conductor size/ AWG #28 to #26 Insulation O.D./ φ 0.78 mm to φ 1.1 mm
Receptacle signal circuit	Applicable socket/CZ, CZH connectors
- Guaranteed 100 mating cycles
- * Please refer to the "Handling Precautions for Terminals and Connectors" on our website (listed in the "Technical Documents" column on the Product Information page) before use.
- * RoHS2 compliance
- * Dimensional unit : mm
- * Contact JST for details.

Standards

For information on overseas standard registrations, please refer to the "List of Registered Overseas Standards" on our website (listed in the "Technical Documents" column on the Product Information page).

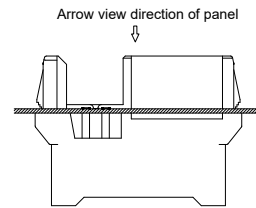
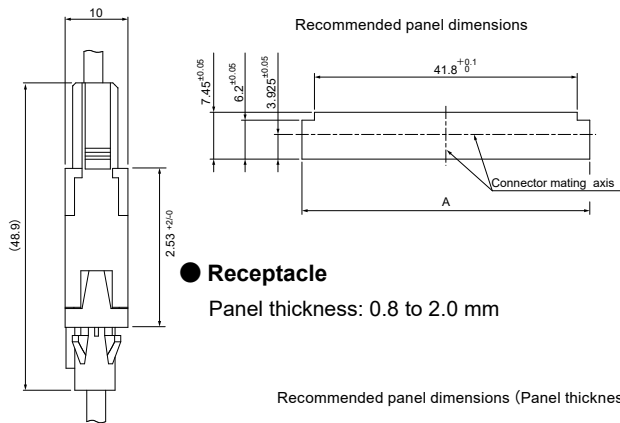
※ The general specifications mentioned above are defined in the product specifications for this series. Please note that registered standards may differ.

Panel layout and Assembly layout

Signal 7-circuit / Power supply 3-circuit

● Plug

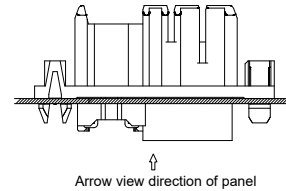
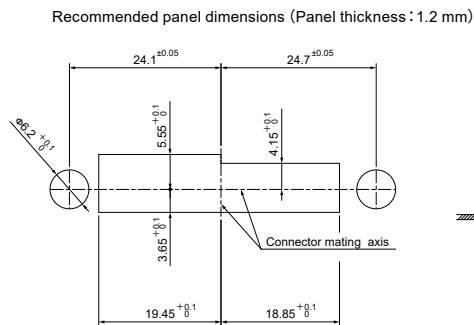
Panel thickness: See the table on the right.



Panel thickness	Dimension A
t=1.2	45.8 ± 0.05
t=1.6, 2.0	46.1 ± 0.05

● Receptacle

Panel thickness: 0.8 to 2.0 mm



● Mating circuit

	Circuit No.
Plug signal unit	1
RVE Receptacle	1
CZH/CZ	1
	Circuit No.
Plug contact for power supply circuit	1
Receptacle contact for power supply circuits	1

- Note: 1. Drill holes in the panel according to the sketch and table shown above. Burrs must be removed.
 2. The strength of the panel must be considered when punching two or more holes.
 3. The connector must be inserted from the same side as the hole is punched.

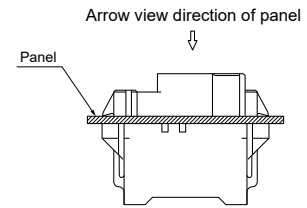
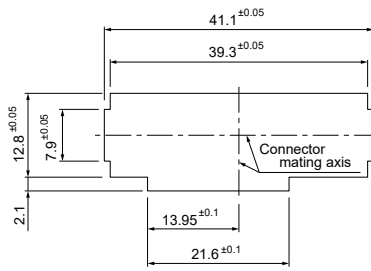
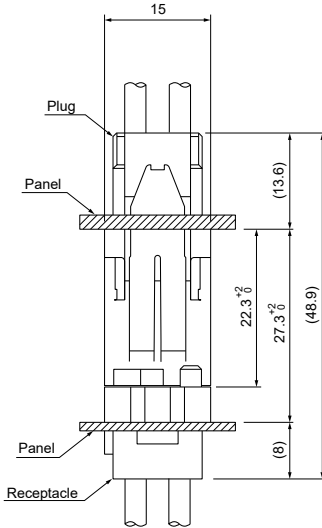
RVE CONNECTOR

Panel layout and Assembly layout

Signal 11-circuit / Power supply 4-circuit Panel lock type

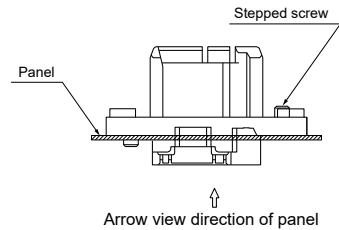
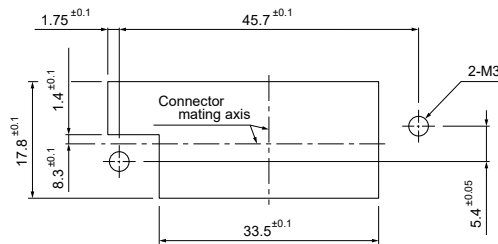
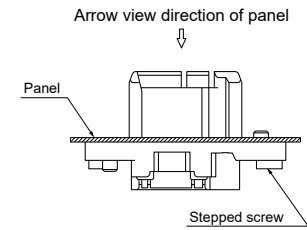
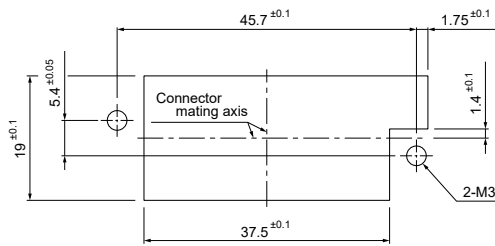
● Plug

Panel thickness: 2.0 mm



● Receptacle

Panel thickness: 0.8 to 2.0 mm



● Mating circuit

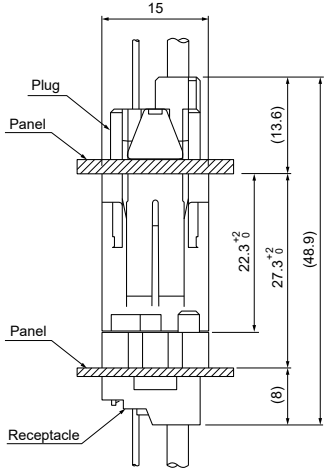
	Circuit No.
Plug signal unit	1
RVE Receptacle	1
CZH/CZ	1

	Circuit No.
Plug contact for power supply circuit	1
Receptacle contact for power supply circuit	1

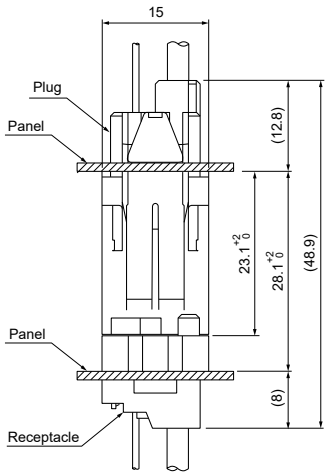
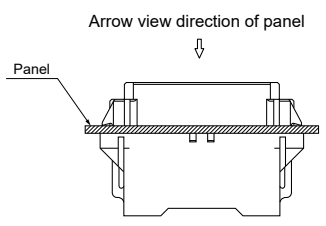
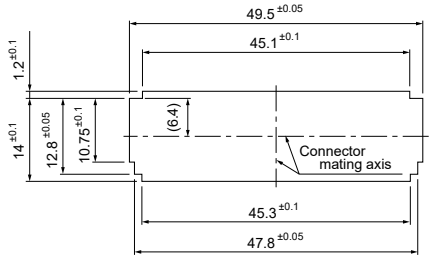
- Note: 1. Drill holes in the panel according to the sketch and table shown above. Burrs must be removed.
2. The strength of the panel must be considered when punching two or more holes.
3. The connector must be inserted from the same side as the hole is punched.

Panel layout and Assembly layout

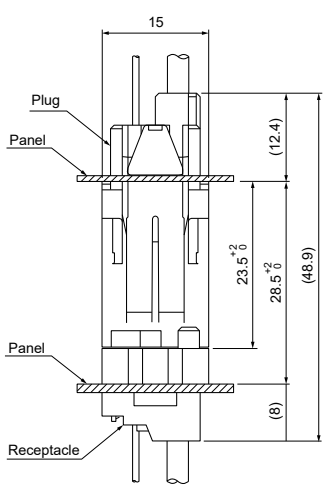
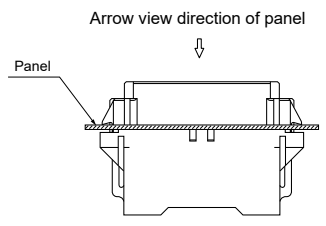
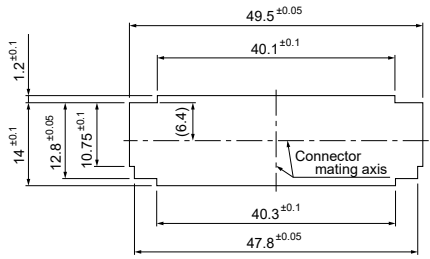
Signal 20-circuit / Power supply 5-circuit Panel lock type



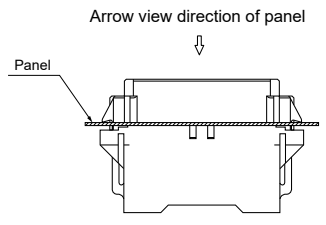
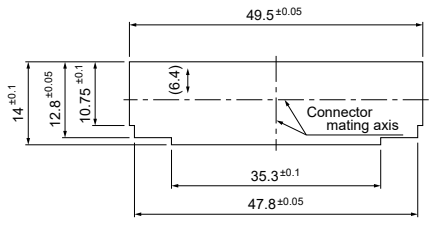
● Plug (Panel lock type) Panel thickness: 2.0 mm



Panel thickness: 1.2 or 1.0 mm



Panel thickness: 0.8 mm



● Mating circuit

	Circuit No.
Plug signal unit	1
RVE Receptacle	1
CZH/CZ	1

	Circuit No.
Plug contact for power supply circuit	1
Receptacle contact for power supply circuit	1

- Note: 1. Drill holes in the panel according to the sketch and table shown above. Burrs must be removed.
 2. The strength of the panel must be considered when punching two or more holes.
 3. The connector must be inserted from the same side as the hole is punched.

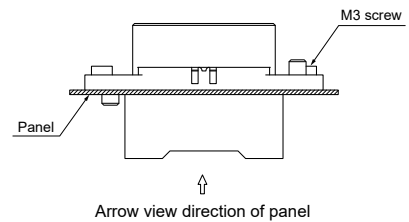
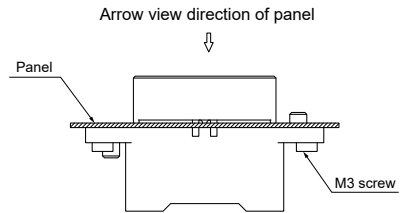
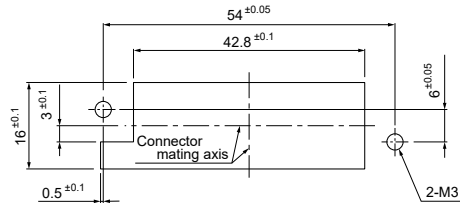
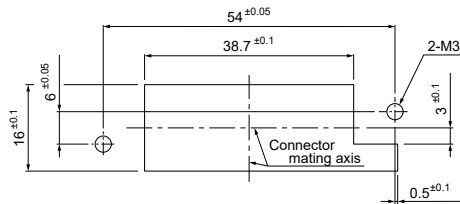
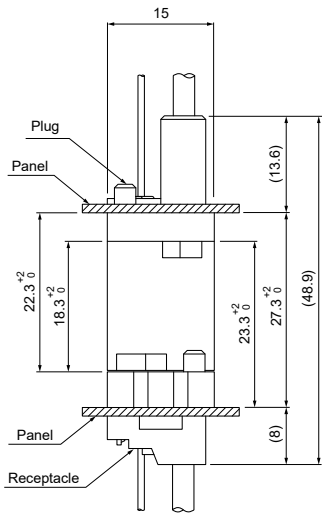
RVE CONNECTOR

Panel layout and Assembly layout

Signal 20-circuit / Power supply 5-circuit
Screw lock type

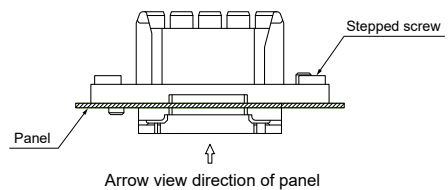
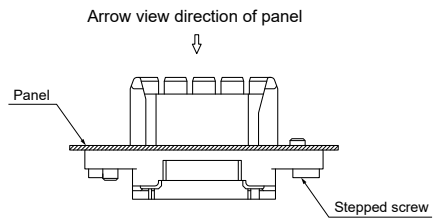
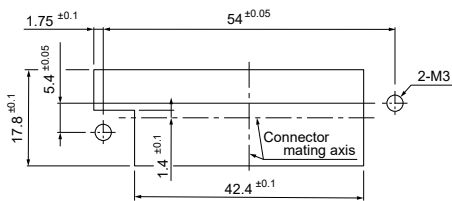
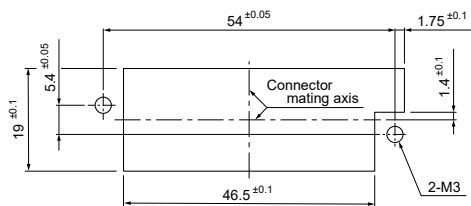
● Plug (Screw lock type)

Panel thickness: 0.8 to 2.0 mm



● Receptacle

Panel thickness: 0.8 to 2.0 mm



- Note: 1. Drill holes in the panel according to the sketch and table shown above. Burrs must be removed.
2. The strength of the panel must be considered when punching two or more holes.
3. The connector must be inserted from the same side as the hole is punched.

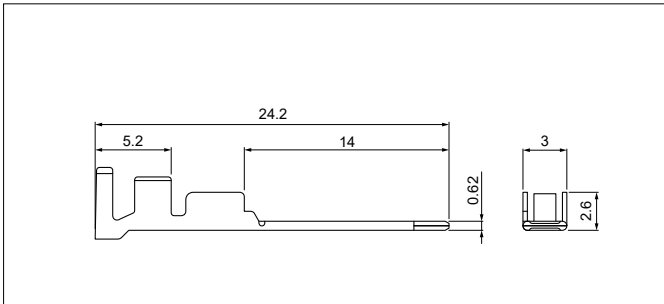
● Mating circuit

	Circuit No.
Plug signal unit	1
RVE Receptacle	1
CZH/CZ	1

	Circuit No.
Plug contact for power supply circuit	1
Receptacle contact for power supply circuit	1

RVE CONNECTOR

Plug contact for power supply circuit



Model No.	Applicable wire		Insulation O.D. (mm)	Q'ty/reel
	mm ²	AWG #		
SRICM-01T-S0.6	0.2 to 0.5	24 to 20	1.4 to 1.9	4,000
SRICM-61T-S0.6	0.7 to 2.0	18 to 14	2.0 to 3.6	3,000

Material and Surface finish, etc.

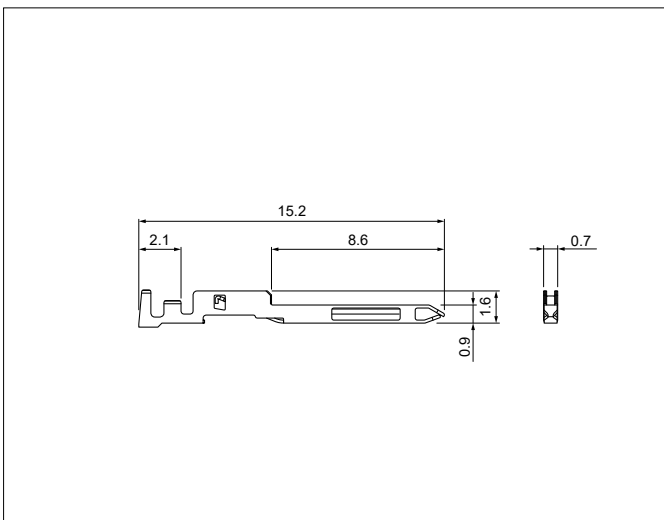
Copper alloy, tin-plated

RoHS2 compliance

Contact	Crimping machine	Applicator		
		Crimp applicator	Dies	Crimp applicator with dies
SRICM-01T-S0.6	AP-K2N	MKS-L	MK/SRPF/IC/M-01-06	APLMK SRPF/IC/M01-06
SRICM-61T-S0.6			MK/SRPF/IC/M-61-06	APLMK SRPF/IC/M61-06

Note: Contact JST for fully automatic crimping applicator.

Plug contact for signal circuit



Model No.	Applicable wire		Insulation O.D. (mm)	Q'ty/reel
	mm ²	AWG #		
SRWMP-002T-M0.9	0.08 to 0.13	28 to 26	0.78 to 1.1	18,000

Material and Surface finish, etc.

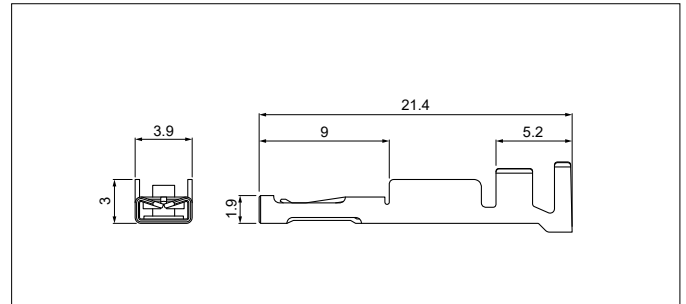
Copper alloy, nickel-undercoated, overall tin-plated

RoHS2 compliance This product displays (LF)(SN) on a label.

Contact	Crimping machine	Applicator		
		Crimp applicator	Dies	Crimp applicator with dies
SRWMP-002T-M0.9	AP-K2N	MKS-L-10-3	MK/SRWMP-002-09	APLMK SRWMP002-09

Note: Contact JST for fully automatic crimping applicator.

Receptacle contact for power supply circuit



Model No.	Applicable wire		Insulation O.D. (mm)	Q'ty/reel
	mm ²	AWG #		
SRWF-01T-M0.6	0.2 to 0.5	24 to 20	1.4 to 1.9	4,000
SRWF-61T-M0.6	0.75 to 2.0	18 to 14	2.0 to 3.6	3,000

Material and Surface finish, etc.

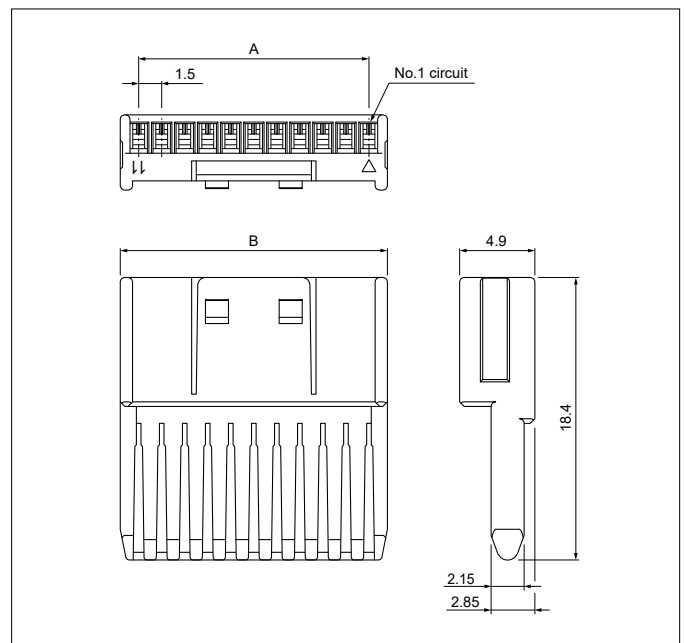
Copper alloy, tin-plated

RoHS2 compliance

Contact	Crimping machine	Applicator		
		Crimp applicator	Dies	Crimp applicator with dies
SRWF-01T-M0.6	AP-K2N	MKS-L	MK/SRPF/M-01-06	APLMK SRPF/M01-06
SRWF-61T-M0.6			MK/SRPF/M-61-06	APLMK SRPF/M61-06

Note: Contact JST for fully automatic crimping applicator.

Plug signal unit



No. of circuits	Model No.	Dimensions (mm)		Q'ty/box
		A	B	
7	RWMYP-07-K	9.0	11.4	1,200
11	RWMYP-11-K	15.0	17.4	1,000
20	RWMYP-20-K	28.5	30.9	500

Material and Surface finish, etc.

Thermoplastic resin, black

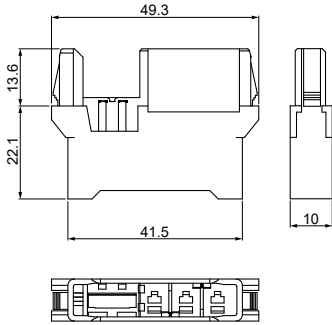
RoHS2 compliance

For flame retardant grade of resin material used, please refer to the "List of Registered Overseas Standards" on our website (listed in the "Technical Documents" column on the Product Information page).

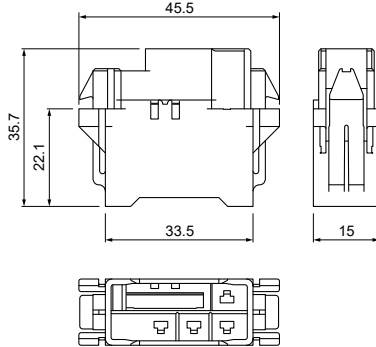
RVE CONNECTOR

Plug

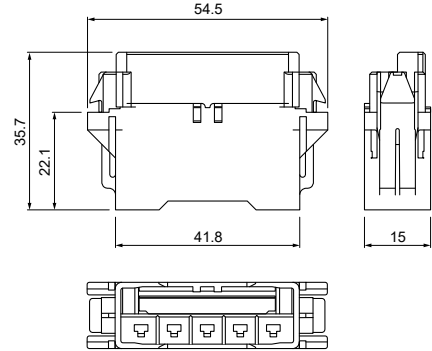
**Signal 7-circuit /
Power supply 3-circuit
(Panel lock type)**



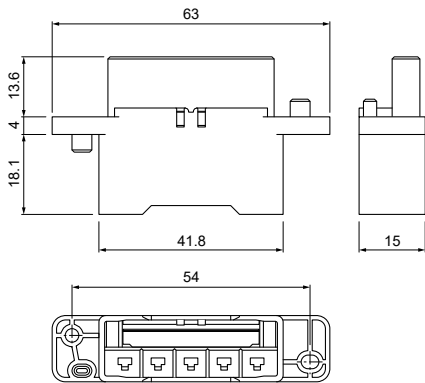
**Signal 11-circuit /
Power supply 4-circuit
(Panel lock type)**



**Signal 20-circuit /
Power supply 5-circuit
(Panel lock type)**



**Signal 20-circuit /
Power supply 5-circuit
(Screw lock type)**



Panel lock type

No. of circuits		Model No.	Q'ty/box
Power supply	Signal		
3	7	RVEP-07S3-K-RA-S	210
4	11	RVEP-11S4-K-R	216
5	20	RVEP-20S5-K-RA	168

Material and Surface finish, etc.

Thermoplastic resin, black

RoHS2 compliance

For flame retardant grade of resin material used, please refer to the "List of Registered Overseas Standards" on our website (listed in the "Technical Documents" column on the Product Information page).

Screw lock type

No. of circuits		Model No.	Q'ty/box
Power supply	Signal		
5	20	RVEP-20S5-K-N	168

Material and Surface finish, etc.

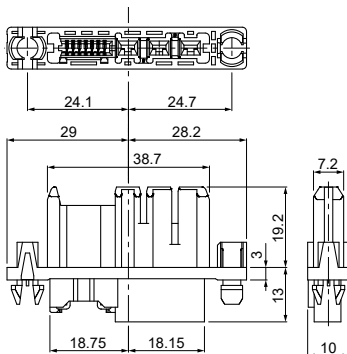
Thermoplastic resin, black

RoHS2 compliance

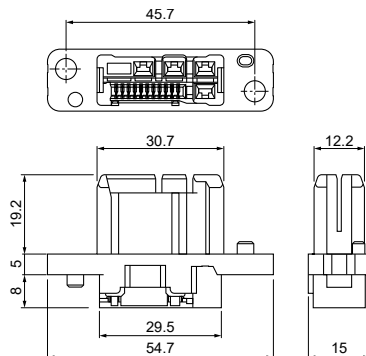
For flame retardant grade of resin material used, please refer to the "List of Registered Overseas Standards" on our website (listed in the "Technical Documents" column on the Product Information page).

Receptacle

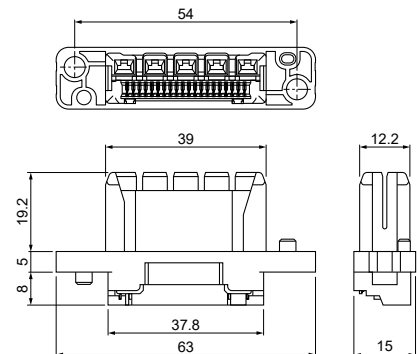
**Signal 7-circuit /
Power supply 3-circuit
(Panel lock type)**



**Signal 11-circuit /
Power supply 4-circuit
(Screw lock type)**



**Signal 20-circuit /
Power supply 5-circuit
(Screw lock type)**



Panel lock type

No. of circuits		Model No.	Q'ty/box
Power supply	Signal		
3	7	07S3R-RVE-K-RF1.2T-S	210

Material and Surface finish, etc.

Contact: Copper alloy, nickel-undercoated, overall tin-plated
Housing: Thermoplastic resin, black

RoHS2 compliance

For flame retardant grade of resin material used, please refer to the "List of Registered Overseas Standards" on our website (listed in the "Technical Documents" column on the Product Information page).

JST

Screw lock type

No. of circuits		Model No.	Q'ty/box
Power supply	Signal		
4	11	11S4R-RVE-K-NT-4G	216
5	20	20S5R-RVE-K-NT-1G	192

Material and Surface finish, etc.

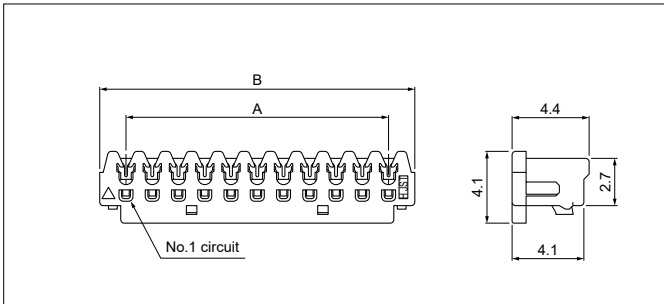
Contact: Copper alloy, nickel-undercoated, overall tin-plated
Housing: Thermoplastic resin, black

RoHS2 compliance

For flame retardant grade of resin material used, please refer to the "List of Registered Overseas Standards" on our website (listed in the "Technical Documents" column on the Product Information page).

RVE CONNECTOR

CZ Connector Socket



No. of circuits	Model No.	Dimensions (mm)		Q'ty/box
		A	B	
7	07CZ-6H	9.0	12.0	2,000
11	11CZ-6H	15.0	18.0	1,000
20	20CZ-6H	28.5	31.5	1,000

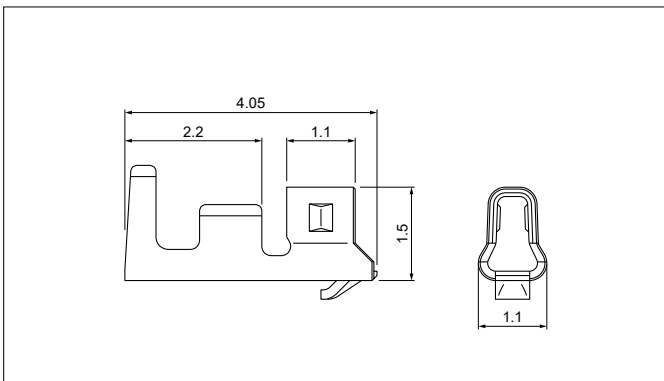
Material and Surface finish, etc.

Contact: Copper alloy, tin-plated
Housing: Thermoplastic resin, natural

RoHS2 compliance

For flame retardant grade of resin material used, please refer to the "List of Registered Overseas Standards" on our website (listed in the "Technical Documents" column on the Product Information page).

CZH Connector Contact



Model No.	Applicable wire		Insulation O.D. (mm)	Q'ty/reel
	mm ²	AWG #		
SCZH-002T-P0.5	0.08 to 0.13	28 to 26	0.8 to 1.1	13,000

Material and Surface finish, etc.

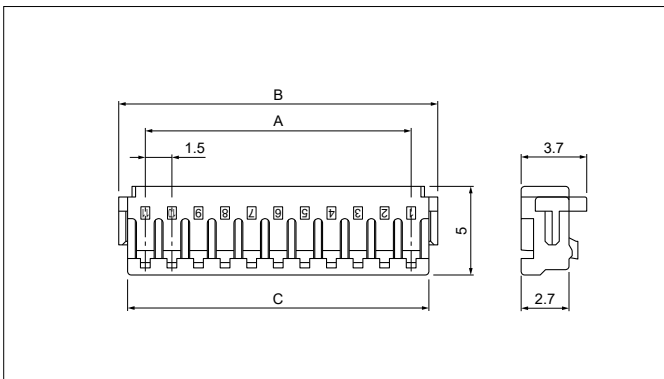
Copper alloy, tin-plated

RoHS2 compliance

Contact	Crimping machine	Applicator		
		Crimp applicator	Dies	Crimp applicator with dies
SCZH-002T-P0.5	AP-K2N	MKS-L	MK/SCZH-002-05	APLMK SCZH002-05

Note: Contact JST for fully automatic crimping applicator.

CZH Connector Housing



No. of circuits	Model No.	Dimensions (mm)			Q'ty/box
		A	B	C	
7	CZHR-07V-S	9.0	12.0	11.0	1,000
11	CZHR-11V-S	15.0	18.0	17.0	1,000
20	CZHR-20V-S	28.5	31.5	30.5	1,000

Material and Surface finish, etc.

Thermoplastic resin, natural

RoHS2 compliance

For flame retardant grade of resin material used, please refer to the "List of Registered Overseas Standards" on our website (listed in the "Technical Documents" column on the Product Information page).