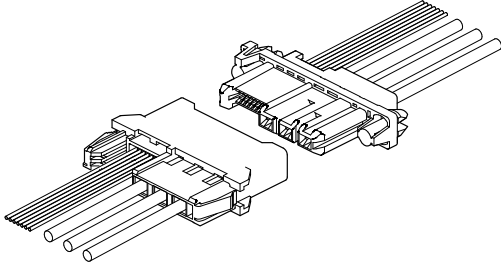


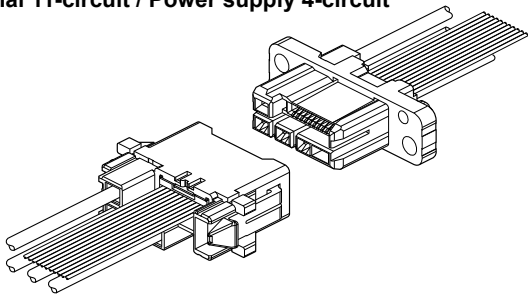
RVE CONNECTOR

Wire-to-Wire connectors

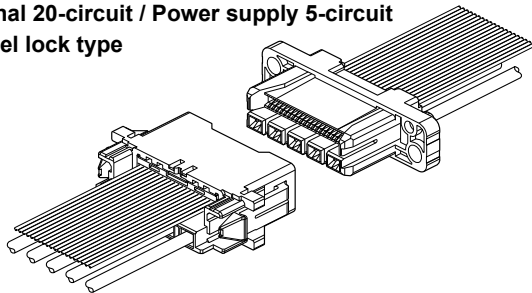
Signal 7-circuit / Power supply 3-circuit



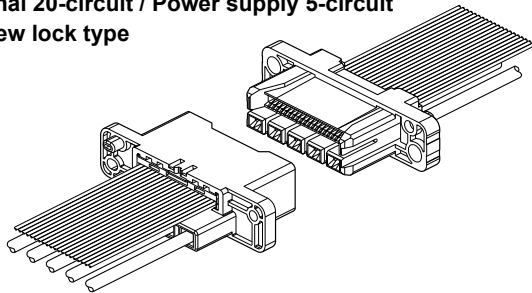
Signal 11-circuit / Power supply 4-circuit



Signal 20-circuit / Power supply 5-circuit
Panel lock type



Signal 20-circuit / Power supply 5-circuit
Screw lock type



This is a hybrid type drawer connector for unit connection. It has a function to absorb misalignment between units and the plug side can be installed with a panel lock. This drawer connector is ideal for locations with few insertion and withdrawal cycles.

Specifications

- Current rating: Signal circuit: 1.0 A AC/DC (AWG #26)
Power supply circuit: 15 A AC/DC (AWG #14)
- Voltage rating: Signal circuit: 50 V AC/DC
Power supply circuit: 250 V AC/DC
- Temperature range: -25°C to +85°C
(including temperature rise in applying electrical current)
- Contact resistance:

Signal circuit	Initial value/40 mΩ max. After environmental tests/60 mΩ max.
Power supply circuit	Initial value/10 mΩ max. After environmental tests/20 mΩ max.
- Insulation resistance: 500 MΩ min.
- Withstanding voltage: Signal circuit/500 VAC
Power supply circuit/1,500 VAC
- Applicable wire range:

Power supply circuit	Conductor size/AWG #24 to #14 Insulation O.D./01 type φ 1.4 to φ 1.9 mm 61 type φ 2.0 to φ 3.6 mm
Plug signal circuit	Conductor size/ AWG #28 to #26 Insulation O.D./ φ 0.78 mm to φ 1.1 mm
Receptacle signal circuit	Applicable socket/CZ, CZH connectors
- Guaranteed 100 mating cycles
- * Please refer to the "Handling Precautions for Terminals and Connectors" on our website (listed in the "Technical Documents" column on the Product Information page) before use.
- * RoHS2 compliance
- * Dimensional unit : mm
- * Contact JST for details.

Standards

For information on overseas standard registrations, please refer to the "List of Registered Overseas Standards" on our website (listed in the "Technical Documents" column on the Product Information page).

※ The general specifications mentioned above are defined in the product specifications for this series. Please note that registered standards may differ.

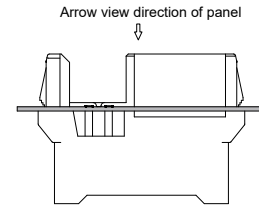
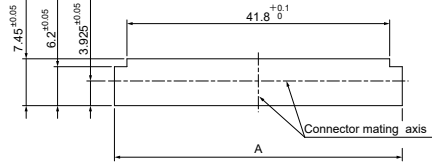
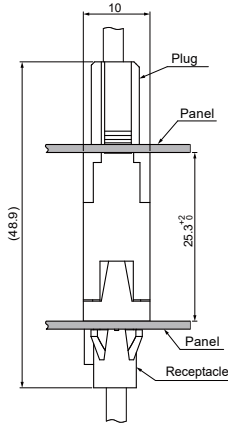
Panel layout and Assembly layout

Signal 7-circuit / Power supply 3-circuit

● Plug

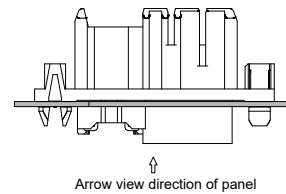
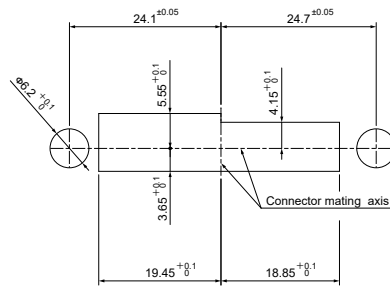
Panel thickness: See the table below.

Panel thickness	Dimension A
t=1.2	45.8 ± 0.05
t=1.6, 2.0	46.1 ± 0.05



● Receptacle

Panel thickness: t1.2

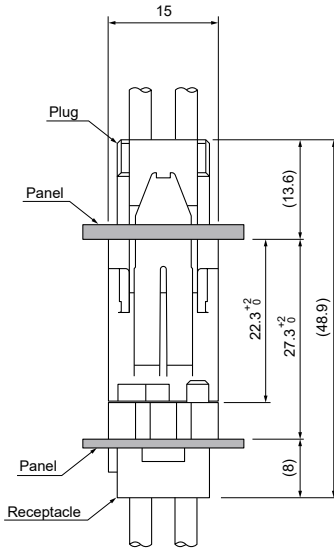


- Note: 1. Drill holes in the panel according to the sketch and table shown above. Burrs must be removed.
 2. The strength of the panel must be considered when punching two or more holes.
 3. The connector must be inserted from the same side as the hole is punched.
 4. Both signal and power connections support one-to-one connectivity.

RVE CONNECTOR

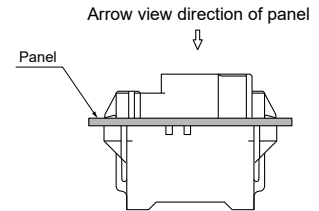
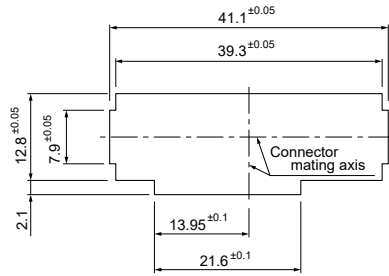
Panel layout and Assembly layout

Signal 11-circuit / Power supply 4-circuit Panel lock type



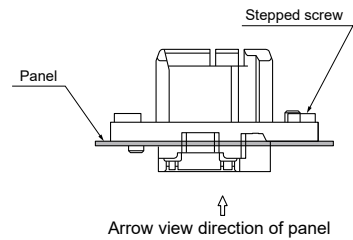
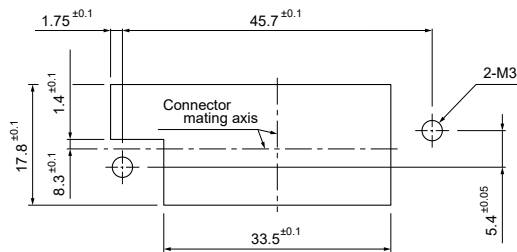
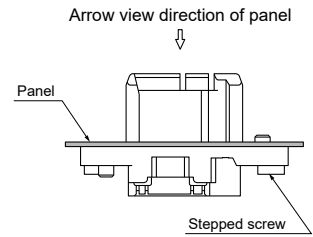
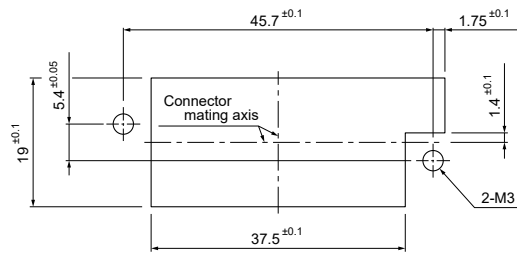
● Plug

Panel thickness: t2.0



● Receptacle

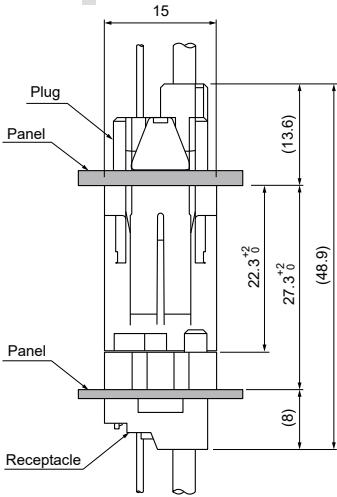
Panel thickness: t0.8 to 2.0



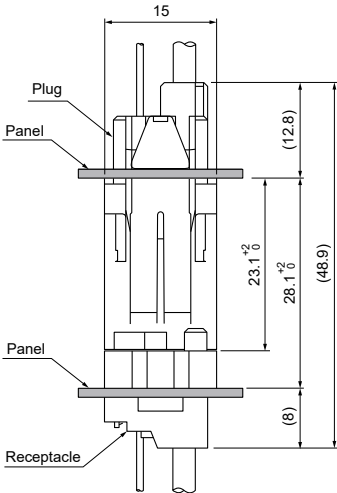
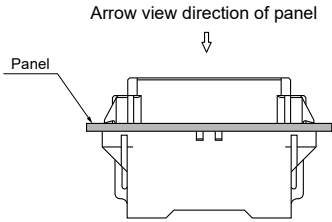
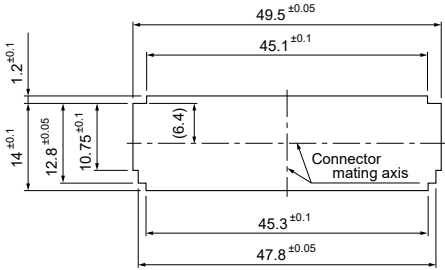
- Note: 1. Drill holes in the panel according to the sketch and table shown above. Burrs must be removed.
 2. The strength of the panel must be considered when punching two or more holes.
 3. The connector must be inserted from the same side as the hole is punched.
 4. Both signal and power connections support one-to-one connectivity.

Panel layout and Assembly layout

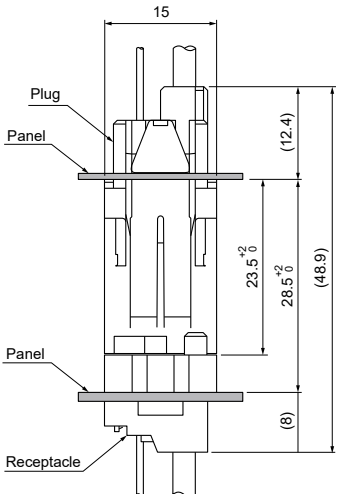
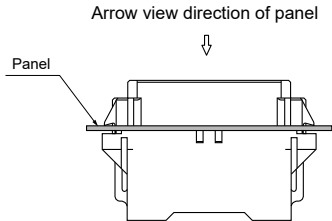
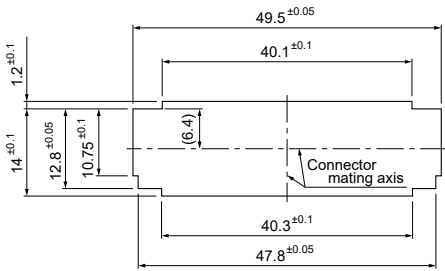
Signal 20-circuit / Power supply 5-circuit Panel lock type



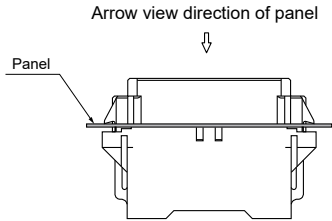
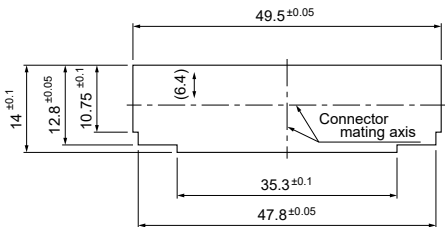
● Plug (Panel lock type) Panel thickness: t2.0



Panel thickness: t1.2 to 1.0



Panel thickness: t0.8



- Note: 1. Drill holes in the panel according to the sketch and table shown above. Burrs must be removed.
 2. The strength of the panel must be considered when punching two or more holes.
 3. The connector must be inserted from the same side as the hole is punched.
 4. Both signal and power connections support one-to-one connectivity.

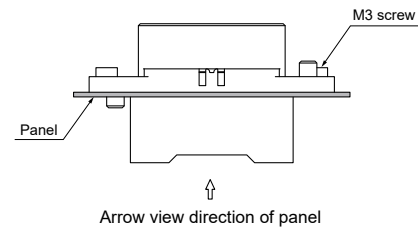
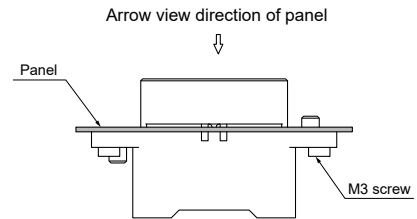
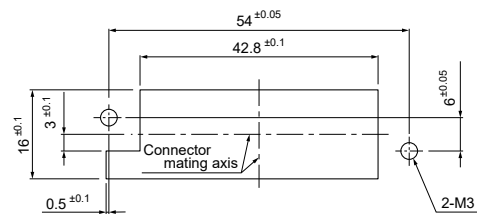
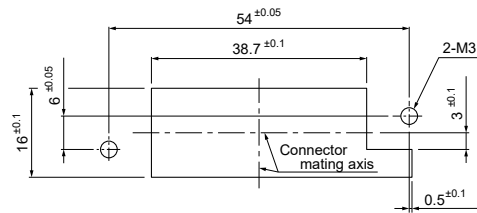
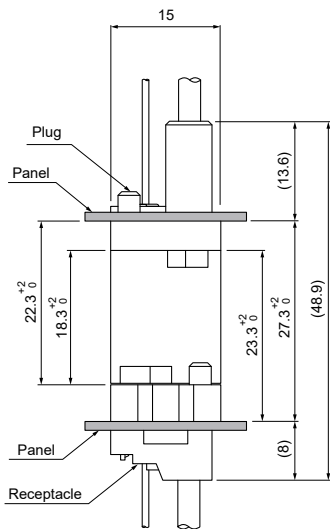
RVE CONNECTOR

Panel layout and Assembly layout

Signal 20-circuit / Power supply 5-circuit
Screw lock type

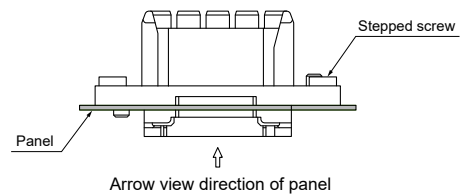
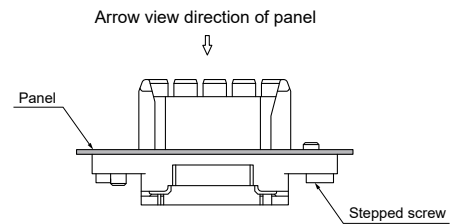
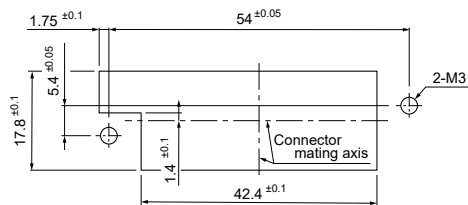
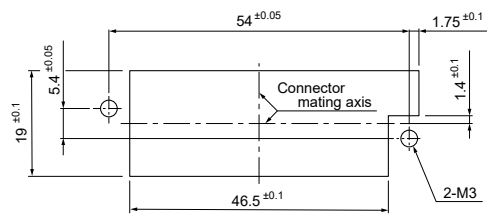
● Plug (Screw lock type)

Panel thickness: t0.8 to 2.0



● Receptacle

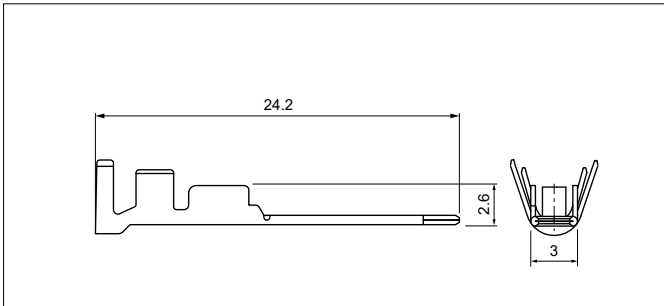
Panel thickness: t0.8 to 2.0



- Note: 1. Drill holes in the panel according to the sketch and table shown above. Burrs must be removed.
2. The strength of the panel must be considered when punching two or more holes.
3. The connector must be inserted from the same side as the hole is punched.
4. Both signal and power connections support one-to-one connectivity.

RVE CONNECTOR

Plug contact for power supply circuit



Model No.	Applicable wire		Insulation O.D. (mm)	Q'ty/reel
	mm ²	AWG #		
SRICM-01T-S0.6	0.2 to 0.5	24 to 20	1.4 to 1.9	4,000
SRICM-61T-S0.6	0.7 to 2.0	18 to 14	2.0 to 3.6	3,000

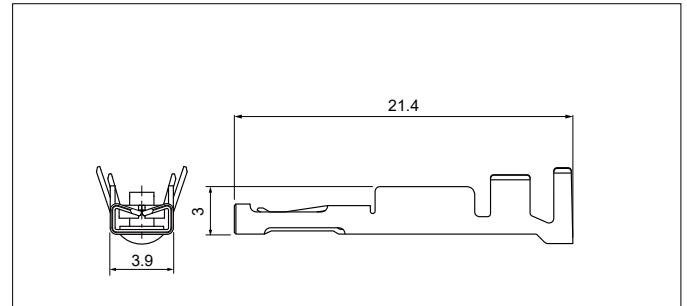
Material and Surface finish, etc.

Copper alloy, tin-plated

Contact	Crimping machine	Applicator		
		Crimp applicator	Dies	Crimp applicator with dies
SRICM-01T-S0.6	AP-K2N	MKS-L	MK/SRPF/IC/M-01-06	APLMK SRPF/IC/M01-06
SRICM-61T-S0.6			MK/SRPF/IC/M-61-06	APLMK SRPF/IC/M61-06

Note: Contact JST for fully automatic crimping applicator.

Receptacle contact for power supply circuit



Model No.	Applicable wire		Insulation O.D. (mm)	Q'ty/reel
	mm ²	AWG #		
SRWF-01T-M0.6	0.2 to 0.5	24 to 20	1.4 to 1.9	4,000
SRWF-61T-M0.6	0.75 to 2.0	18 to 14	2.0 to 3.6	3,000

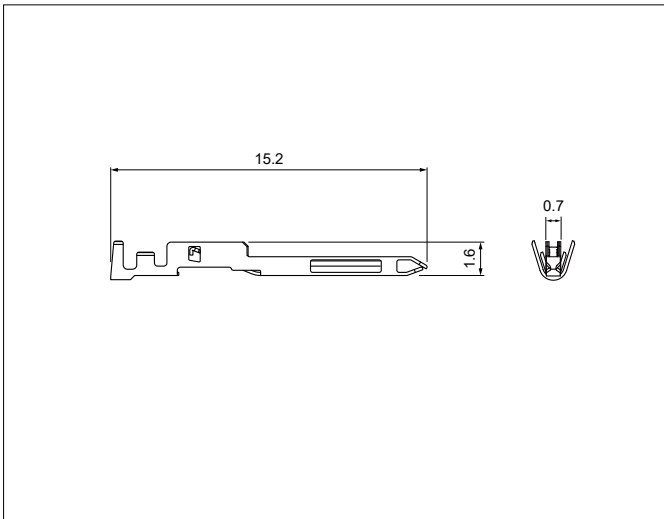
Material and Surface finish, etc.

Copper alloy, tin-plated

Contact	Crimping machine	Applicator		
		Crimp applicator	Dies	Crimp applicator with dies
SRWF-01T-M0.6	AP-K2N	MKS-L	MK/SRPF/M-01-06	APLMK SRPF/M01-06
SRWF-61T-M0.6			MK/SRPF/M-61-06	APLMK SRPF/M61-06

Note: Contact JST for fully automatic crimping applicator.

Plug contact for signal circuit



Model No.	Applicable wire		Insulation O.D. (mm)	Q'ty/reel
	mm ²	AWG #		
SRWMP-002T-M0.9	0.08 to 0.13	28 to 26	0.78 to 1.1	18,000

Material and Surface finish, etc.

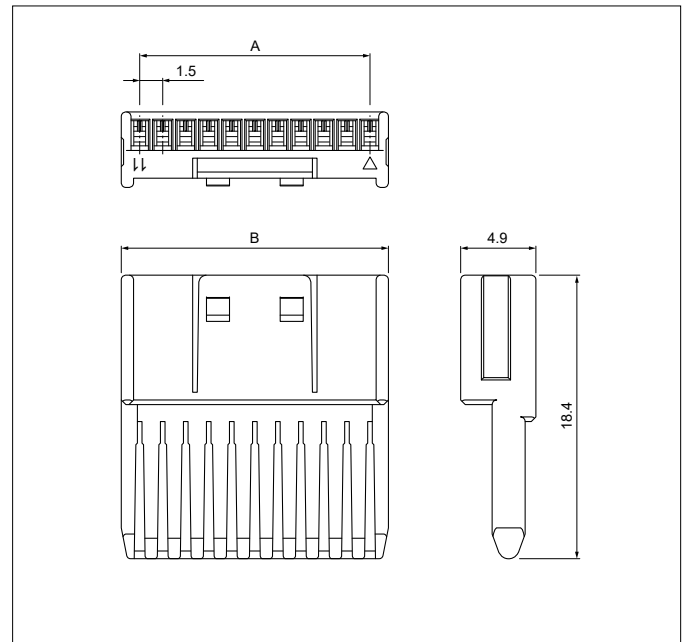
Copper alloy, tin-plated

This product displays (LF)(SN) on a label.

Contact	Crimping machine	Applicator		
		Crimp applicator	Dies	Crimp applicator with dies
SRWMP-002T-M0.9	AP-K2N	MKS-L-10-3	MK/SRWMP-002-09	APLMK SRWMP002-09

Note: Contact JST for fully automatic crimping applicator.

Plug signal unit



No. of circuits	Model No.	Dimensions (mm)		Q'ty/box
		A	B	
7	RWMYP-07-K	9.0	11.4	1,200
11	RWMYP-11-K	15.0	17.4	1,000
20	RWMYP-20-K	28.5	30.9	500

Material and Surface finish, etc.

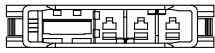
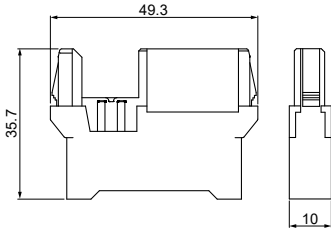
PBT (GF), black

For flame retardant grade of resin material used, please refer to the "List of Registered Overseas Standards" on our website (listed in the "Technical Documents" column on the Product Information page).

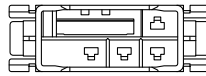
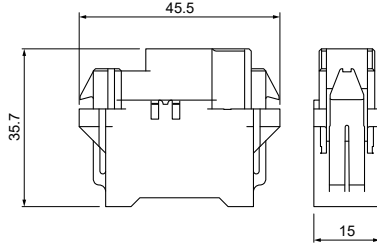
RVE CONNECTOR

Plug

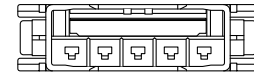
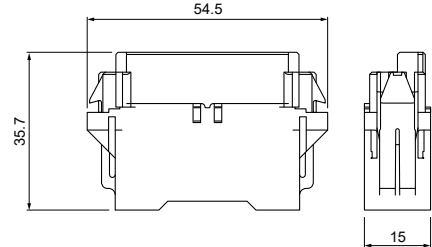
**Signal 7-circuit /
Power supply 3-circuit
(Panel lock type)**



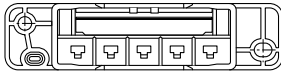
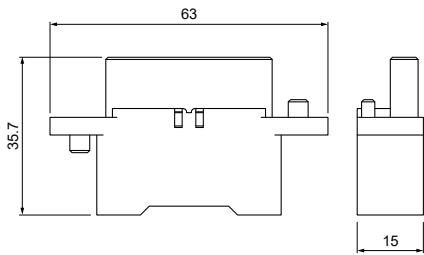
**Signal 11-circuit /
Power supply 4-circuit
(Panel lock type)**



**Signal 20-circuit /
Power supply 5-circuit
(Panel lock type)**



**Signal 20-circuit /
Power supply 5-circuit
(Screw lock type)**



Panel lock type

No. of circuits		Model No.	Q'ty/box
Power supply	Signal		
3	7	RVEP-07S3-K-RA-S	210
4	11	RVEP-11S4-K-R	216
5	20	RVEP-20S5-K-RA	168

Material and Surface finish, etc.

PBT(GF), black

For flame retardant grade of resin material used, please refer to the "List of Registered Overseas Standards" on our website (listed in the "Technical Documents" column on the Product Information page).

Screw lock type

No. of circuits		Model No.	Q'ty/box
Power supply	Signal		
5	20	RVEP-20S5-K-N	168

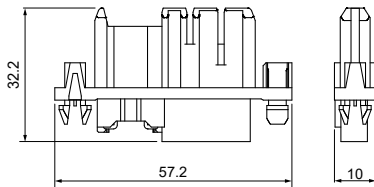
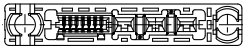
Material and Surface finish, etc.

PBT (GF), black

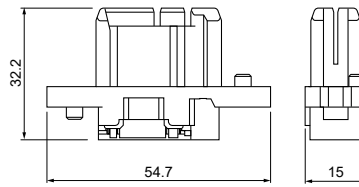
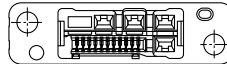
For flame retardant grade of resin material used, please refer to the "List of Registered Overseas Standards" on our website (listed in the "Technical Documents" column on the Product Information page).

Receptacle

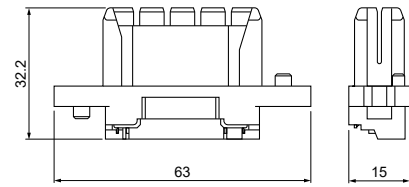
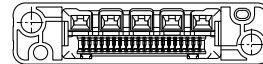
**Signal 7-circuit /
Power supply 3-circuit
(Panel lock type)**



**Signal 11-circuit /
Power supply 4-circuit
(Screw lock type)**



**Signal 20-circuit /
Power supply 5-circuit
(Screw lock type)**



Panel lock type

No. of circuits		Model No.	Q'ty/box
Power supply	Signal		
3	7	07S3R-RVE-K-RF1.2T-S	210

Material and Surface finish, etc.

Contact: Copper alloy, tin-plated
Housing: PBT (GF), black

For flame retardant grade of resin material used, please refer to the "List of Registered Overseas Standards" on our website (listed in the "Technical Documents" column on the Product Information page).

Screw lock type

No. of circuits		Model No.	Q'ty/box
Power supply	Signal		
4	11	11S4R-RVE-K-NT-4G	216
5	20	20S5R-RVE-K-NT-1G	192

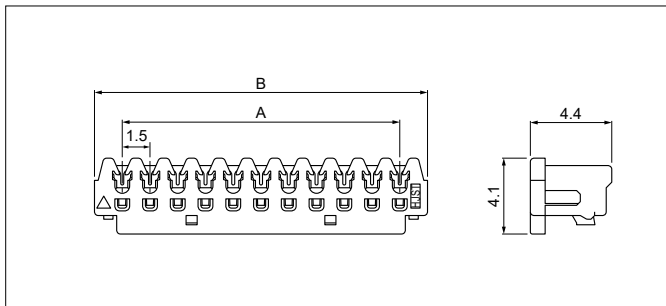
Material and Surface finish, etc.

Contact: Copper alloy, tin-plated
Housing: PBT (GF), black

For flame retardant grade of resin material used, please refer to the "List of Registered Overseas Standards" on our website (listed in the "Technical Documents" column on the Product Information page).

RVE CONNECTOR

CZ Connector Socket



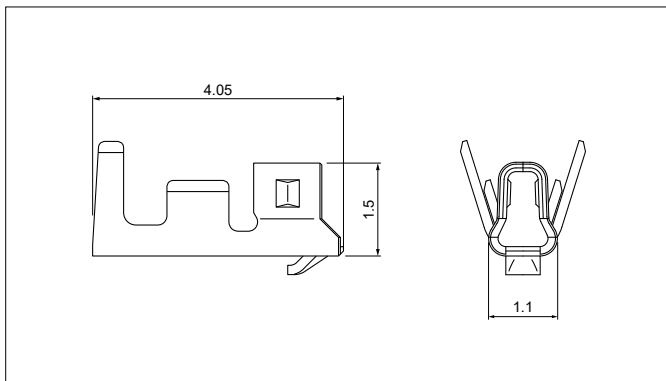
No. of circuits	Model No.	Dimensions (mm)		Q'ty/box
		A	B	
7	07CZ-6H	9.0	12.0	2,000
11	11CZ-6H	15.0	18.0	1,000
20	20CZ-6H	28.5	31.5	1,000

Material and Surface finish, etc.

Contact: Copper alloy, tin-plated
Housing: PA (GF), natural

For flame retardant grade of resin material used, please refer to the "List of Registered Overseas Standards" on our website (listed in the "Technical Documents" column on the Product Information page).

CZH Connector Contact



Model No.	Applicable wire		Insulation O.D. (mm)	Q'ty/reel
	mm ²	AWG #		
SCZH-002T-P0.5	0.08 to 0.13	28 to 26	0.8 to 1.1	13,000

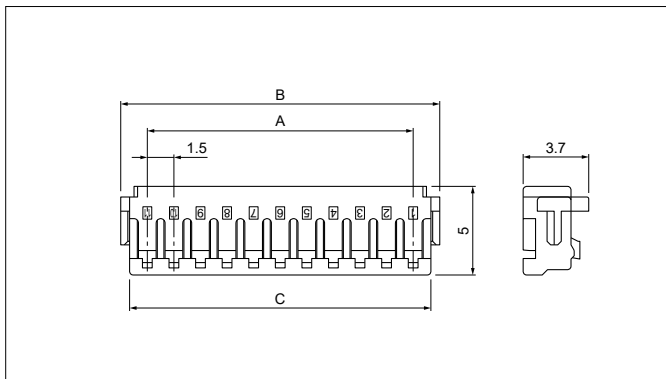
Material and Surface finish, etc.

Copper alloy, tin-plated

Contact	Crimping machine	Applicator		
		Crimp applicator	Dies	Crimp applicator with dies
SCZH-002T-P0.5	AP-K2N	MKS-L	MK/SCZH-002-05	APLMK SCZH002-05

Note: Contact JST for fully automatic crimping applicator.

CZH Connector Housing



No. of circuits	Model No.	Dimensions (mm)			Q'ty/box
		A	B	C	
7	CZHR-07V-S	9.0	12.0	11.0	1,000
11	CZHR-11V-S	15.0	18.0	17.0	1,000
20	CZHR-20V-S	28.5	31.5	30.5	1,000

Material and Surface finish, etc.

PBT, natural

For flame retardant grade of resin material used, please refer to the "List of Registered Overseas Standards" on our website (listed in the "Technical Documents" column on the Product Information page).