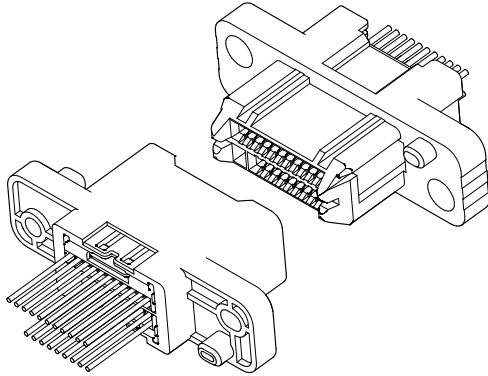


RWM CONNECTOR

Wire-to-Wire connectors

Signal 20-circuit



This is a dual-row, signal drawer connector for unit connection. It features a mechanism to absorb misalignment between units and is ideal for locations with few insertion and withdrawal cycles.

■ Specifications

- Current rating: Signal circuit: 1.0 A AC/DC (AWG #26)
- Voltage rating: Signal circuit: 50 V AC/DC
- Temperature range: -25°C to +85°C
(including temperature rise in applying electrical current)
- Contact resistance:

Signal circuit	Initial value/40 mΩ max.
	After environmental tests/60 mΩ max.
- Insulation resistance: 500 MΩ min.
- Withstanding voltage: Signal circuit/500 VAC
- Applicable wire range:

Plug signal circuit	Conductor size/AWG #28 to #26
	Insulation O.D./ φ 0.78 mm to φ 1.1 mm
Receptacle signal circuit	Applicable socket/CZ, CZH connectors
- Guaranteed 100 mating cycles
- * Please refer to the "Handling Precautions for Terminals and Connectors" on our website (listed in the "Technical Documents" column on the Product Information page) before use.
- * RoHS2 compliance
- * Dimensional unit: mm
- * Contact JST for details.

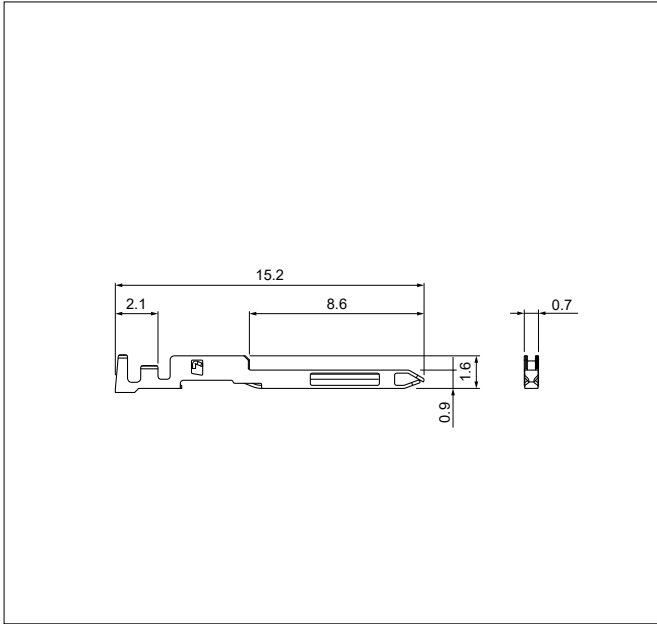
■ Standards

For information on overseas standard registrations, please refer to the "List of Registered Overseas Standards" on our website (listed in the "Technical Documents" column on the Product Information page).

※ The general specifications mentioned above are defined in the product specifications for this series. Please note that registered standards may differ.

RWM CONNECTOR

Plug contact for signal circuit



Model No.	Applicable wire		Insulation O.D. (mm)	Q'ty/ reel
	mm ²	AWG#		
SRWMP-002T-M0.9	0.08 to 0.13	28 to 26	0.78 to 1.1	18,000

Material and Surface finish, etc.

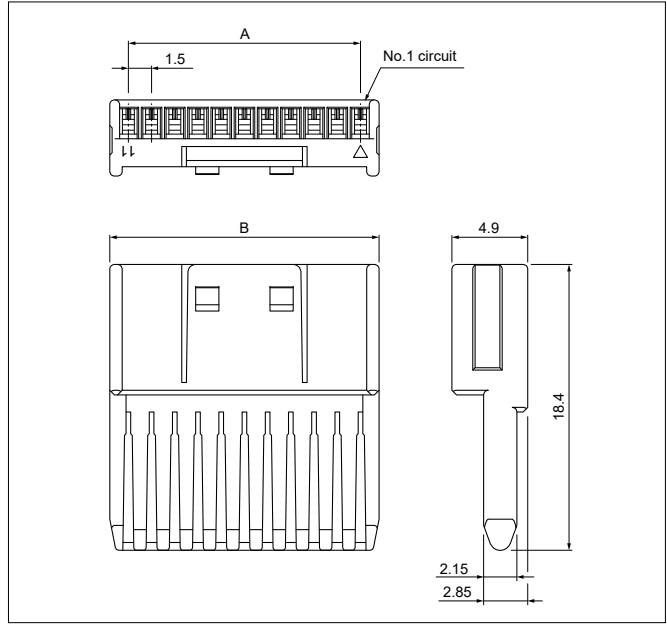
Copper alloy, nickel-undercoated, overall tin-plated

RoHS2 compliance This product displays (LF)(SN) on a label.

Contact	Crimping machine	Applicator		
		Crimp applicator	Dies	Crimp applicator with dies
SRWMP-002T-M0.9	AP-K2N	MKS-L-10-3	MK/SRWMP-002-09	APLMK SRWMP002-09

Note: Contact JST for fully automatic crimping applicator.

Plug signal unit



No. of circuits	Model No.	Dimensions (mm)		Q'ty/ box
		A	B	
9	RWMYP-09-K	12	14.4	1,000
11	RWMYP-11-K	15	17.4	1,000

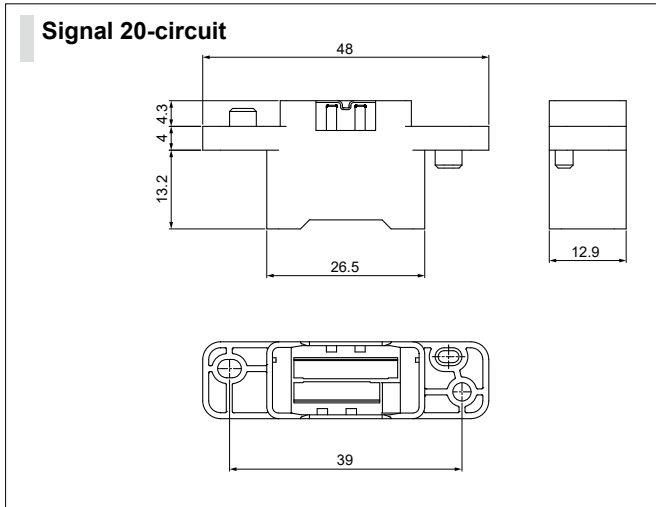
Material and Surface finish, etc.

Thermoplastic resin, black

RoHS2 compliance

For flame retardant grade of resin material used, please refer to the "List of Registered Overseas Standards" on our website (listed in the "Technical Documents" column on the Product Information page).

Plug



Panel lock type

No. of circuits	Model No.	Q'ty/box
20	RWMP-20S0-K	600

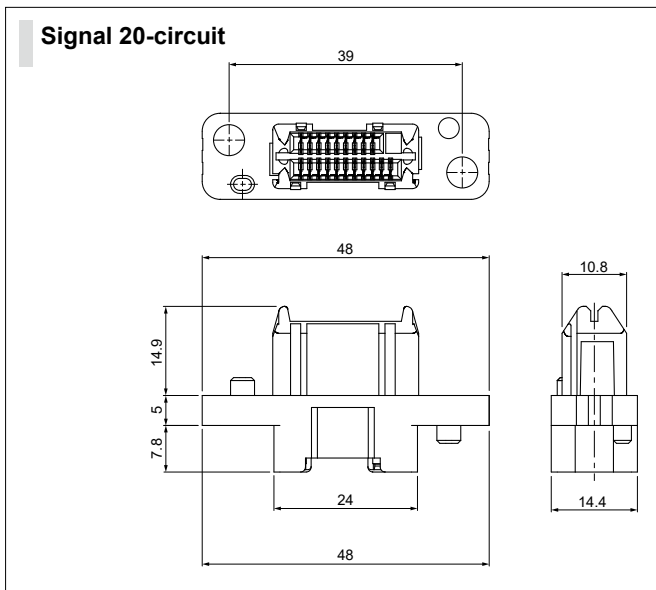
Material and Surface finish, etc.

Thermoplastic resin, black

RoHS2 compliance

For flame retardant grade of resin material used, please refer to the "List of Registered Overseas Standards" on our website (listed in the "Technical Documents" column on the Product Information page).

Receptacle



No. of circuits	Model No.	Q'ty/box
20	20S0R-RWM-KT	250

Material and Surface finish, etc.

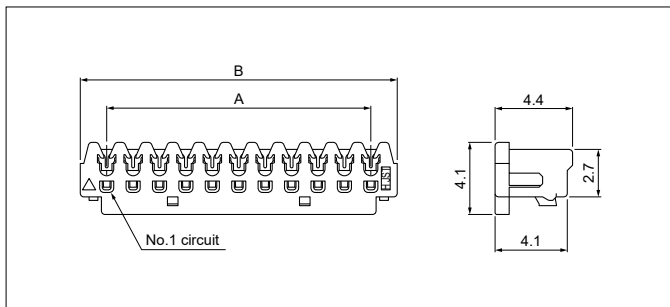
Contact: Copper alloy, nickel-undercoated, overall tin-plated
Housing: Thermoplastic resin, black

RoHS2 compliance

For flame retardant grade of resin material used, please refer to the "List of Registered Overseas Standards" on our website (listed in the "Technical Documents" column on the Product Information page).

RWM CONNECTOR

CZ connector Socket



No. of circuits	Model No.	Dimensions (mm)		Q'ty/box
		A	B	
9	09CZ-6H	12	15	1,000
11	11CZ-6H	15	18	1,000

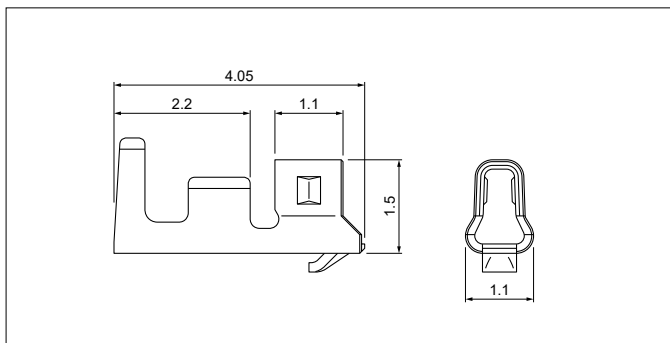
Material and Surface finish, etc.

Contact: Copper alloy, tin-plated
Housing: Thermoplastic resin, natural

RoHS2 compliance

For flame retardant grade of resin material used, please refer to the "List of Registered Overseas Standards" on our website (listed in the "Technical Documents" column on the Product Information page).

CZH connector Socket



Model No.	Applicable wire		Insulation O.D. (mm)	Q'ty/reel
	mm ²	AWG#		
SCZH-002T-P0.5	0.08 to 0.13	28 to 26	0.8 to 1.1	13,000

Material and Surface finish, etc.

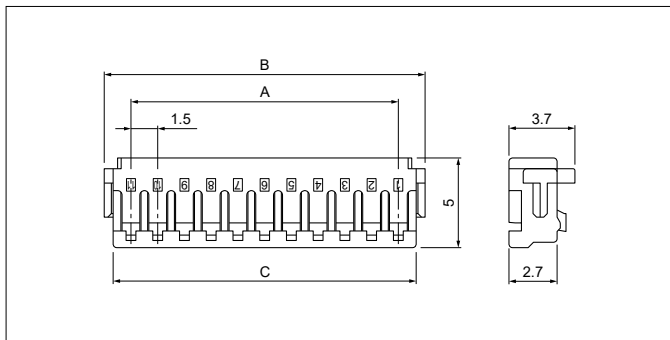
Copper alloy, tin-plated

RoHS2 compliance

Contact	Crimping machine	Applicator		
		Crimp applicator	Dies	Crimp applicator with dies
SCZH-002T-P0.5	AP-K2N	MKS-L	MK/SCZH-002-05	APLMK SCZH002-05

Note: Contact JST for fully automatic crimping applicator.

CZ connector Housing



No. of circuits	Model No.	Dimensions (mm)			Q'ty/box
		A	B	C	
9	CZHR-09V-S	12	15	14	1,000
11	CZHR-11V-S	15	18	17	1,000

Material and Surface finish, etc.

Thermoplastic resin, natural

RoHS2 compliance

For flame retardant grade of resin material used, please refer to the "List of Registered Overseas Standards" on our website (listed in the "Technical Documents" column on the Product Information page).