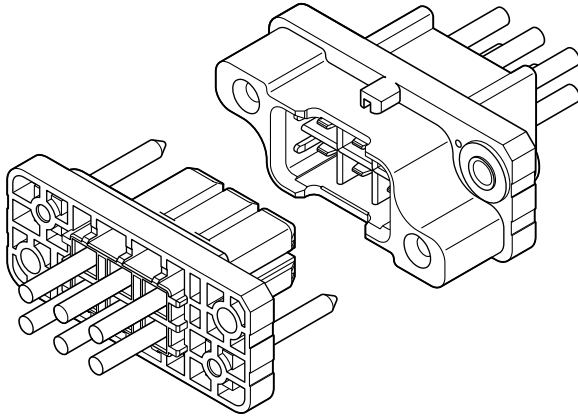




RWZ CONNECTOR (Power supply system structure reinforced type)

Disconnectable Crimp style Wire-to wire connectors



This is the power supply system drawer connector which realized excellent toughness and durability by performing the secure guide and positioning when mating with assembled metal pin to the receptacle. In addition to the ease of robust design of the connection in equipment, provide safety and security.

- ***Floating amount: ± 0.5 mm***
- ***Space saving design***
- ***High reliability contact***
- ***Using the standard M4 screws to securing board***

Specifications

- Current rating: The table below shows the current rating for each combination of number of circuits and wire.

No. of circuits	Wire size (AWG)					
	# 14	# 16	# 18	# 20	# 22	# 24
6	15	10	7	5	4	3

Current unit: A

Note: Notes on branch current in parallel connection.

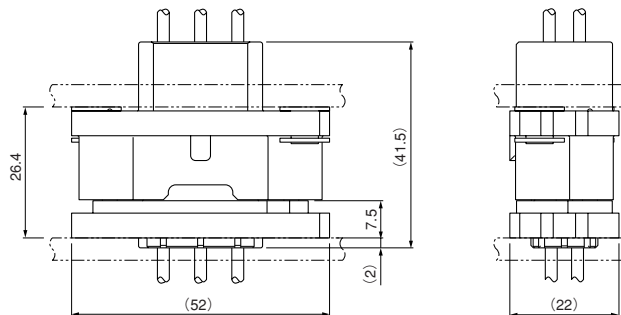
Do not branch in parallel current which exceeds the rated current to plurality of circuits. If branched in parallel, current imbalance or other problems may develop. If it is unavoidable to branch current in parallel, be sure to control imbalance during applying current. Design the circuits without causing imbalance and provide an extra margin for current.

- Voltage rating: 250 V AC, DC
 - Temperature range: -25°C to +85°C
(including temperature rise in applying electrical current)
 - Contact resistance: Initial value/ 10 mΩ max.
After environmental tests/ 20 mΩ max.
 - Insulation resistance: 500 MΩ min.
 - Withstanding voltage: 1,500 VAC/minute
 - Applicable wire: Conductor size/ AWG #24 to #14
Insulation O.D. / 1.4 to 3.6 mm
 - Mounting method: Screw
- * In using the products, refer to "Handling Precaution for Terminal and Connector" described on our website (Technical documents of Product information page).
- * Contact JST for details.
- * RoHS2 Compliance

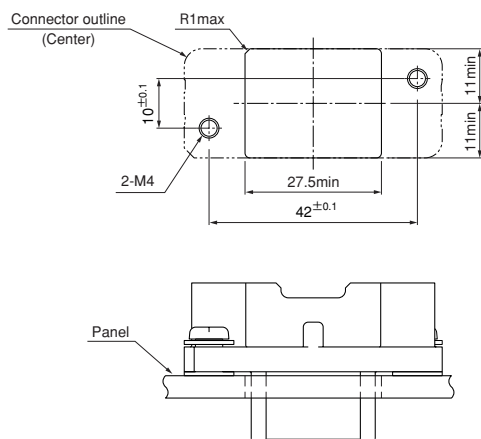
RWZ CONNECTOR (Power supply system structure reinforced type)

Panel layout and Assembly layout

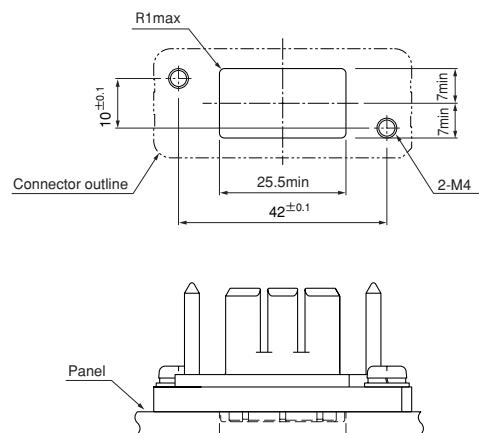
Assembly layout



Panel layout for Plug

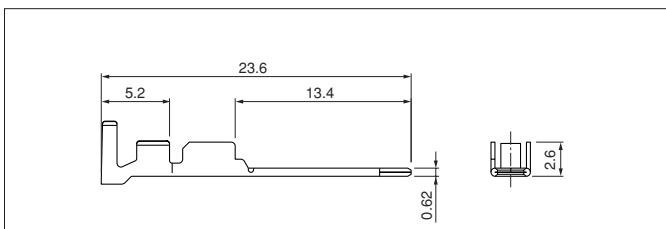


Panel layout for Receptacle



- Note: 1. The above figure is the figure viewed from the connector mounting side.
 2. Punch holes in the panel according to the figures shown above. Burrs must be removed.
 3. The strength of the panel must be considered when punching two or more holes.

Plug contact for power supply circuit



Model No.	Applicable wire		Insulation O.D. (mm)	Q'ty/ reel
	mm ²	AWG #		
SRWM-01GG-S0.6	0.2~0.5	24~20	1.4~1.9	4,000
SRWM-21GG-S0.6	0.2~0.75	24~18	1.4~3.1	3,000
SRWM-61GG-S0.6	0.75~2.0	18~14	2.0~3.6	3,000

Material and Finish

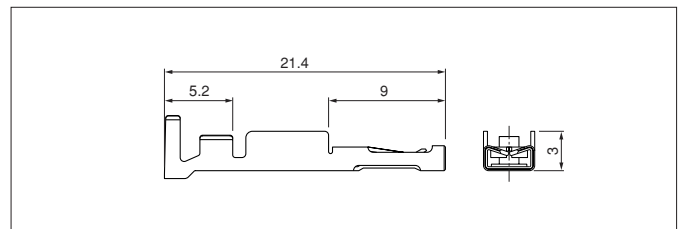
Copper alloy, nickel-undercoated, Contacting part; gold-plated
 Crimping part; tin-plated (reflow treatment)

RoHS2 compliance This product displays (LF)(SN) on a label.

Contact	Crimping machine	Applicator		
		Crimp applicator	Dies	Crimp applicator with dies
SRWM-01GG-M0.6	AP-K2N	MKS-L	MK/SRPF/M-01-06	APLMK SRPF/M01-06
		—	—	—
SRWM-21GG-M0.6		MKS-L	MK/SRPF/M-21-06	APLMK SRPF/M21-06
		—	—	—
SRWM-61GG-M0.6	MKS-L	MK/SRPF/M-61-06	APLMK SRPF/M61-06	
	—	—	—	

Note: Contact JST for fully automatic crimping applicator.

Receptacle contact for power supply circuit



Model No.	Applicable wire		Insulation O.D. (mm)	Q'ty/ reel
	mm ²	AWG #		
SRWF-01GG-M0.6	0.2~0.5	24~20	1.4~1.9	4,000
SRWF-21GG-M0.6	0.2~0.75	24~18	1.4~3.1	3,000
SRWF-61GG-M0.6	0.75~2.0	18~14	2.0~3.6	3,000

Material and Finish

Copper alloy, nickel-undercoated, Contacting part; gold-plated
 Crimping part; tin-plated (reflow treatment)

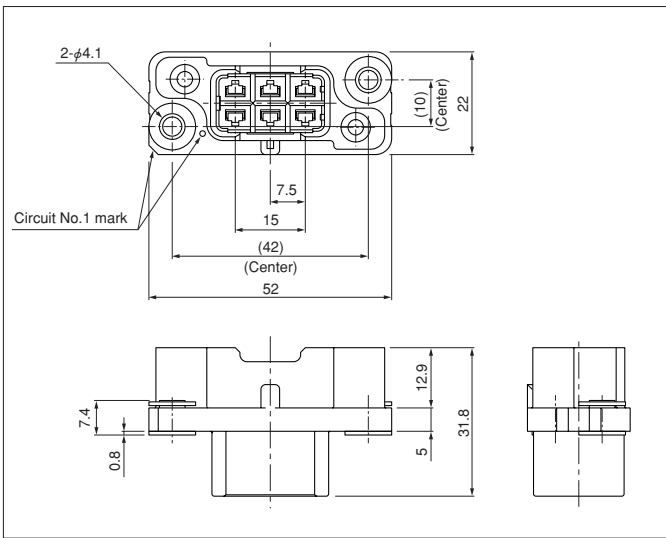
RoHS2 compliance This product displays (LF)(SN) on a label.

Contact	Crimping machine	Applicator		
		Crimp applicator	Dies	Crimp applicator with dies
SRWF-01GG-M0.6	AP-K2N	MKS-L	MK/SRPF/M-01-06	APLMK SRPF/M01-06
		—	—	—
SRWF-21GG-M0.6		MKS-L	MK/SRPF/M-21-06	APLMK SRPF/M21-06
		—	—	—
SRWF-61GG-M0.6	MKS-L	MK/SRPF/M-61-06	APLMK SRPF/M61-06	
	—	—	—	

Note: Contact JST for fully automatic crimping applicator.

RWZ CONNECTOR (Power supply system structure reinforced type)

Plug



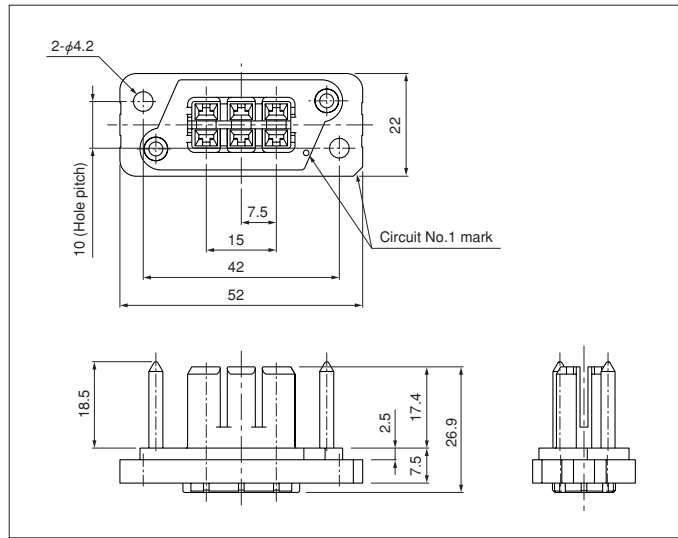
No. of circuits	Model No.	Q'ty/box
6	RWZP-P06V-S1-K-FB	320

Material and Finish

Washer, Floating rivet: Copper alloy, nickel-plated
Housing: Glass-filled PBT, UL94V-0, black

RoHS2 compliance

Riceptacle



No. of circuits	Model No.	Q'ty/box
6	RWZR-P06V-S1-K-PG	256

Material and Finish

Guide pin: Steel, nickel-plated
Housing: Glass-filled PBT, UL94V-0, black

RoHS2 compliance

Model number identification

Plug contact for power supply circuit

S RW M - 21 GG - S 0.6

Form: S --- Strip form
Series name: RW --- RWZ
Part name: M --- Plug contact
Applicable wire: 01 --- AWG #24 to #20
21 --- AWG #24 to #18
61 --- AWG #18 to #14
Surface finish: GG --- Nickel-undercoated, selective gold-plated
Material: S --- Copper alloy
Terminal size

Receptacle contact for power supply circuit

S RW F - 21 GG - M 0.6

Form: S --- Strip form
Series name: RW --- RWZ
Part name: F --- Receptacle contact
Applicable wire: 01 --- AWG #24 to #20
21 --- AWG #24 to #18
61 --- AWG #18 to #14
Surface finish: GG --- Nickel-undercoated, selective gold-plated
Material: M --- Copper alloy
Terminal size

Plug

RWZ P - P06 V - S1 - K - FB

Series name
Part name: P --- Plug
Indication of No. of circuits: P06 --- Power supply 6-circuit
Flammability: V --- UL94V-0
Type name: S1 --- S1 type
Color indication: K --- Black
Mounting arrangement: FB --- Floating bush

Receptacle

RWZ R - P06 V - S1 - K - PG

Series name
Part name: R --- Receptacle
Indication of No. of circuits: P06 --- Power supply 6-circuit
Flammability: V --- UL94V-0
Type name: S1 --- S1 type
Color indication: K --- Black
Supplementary symbol: PB --- Guide pin