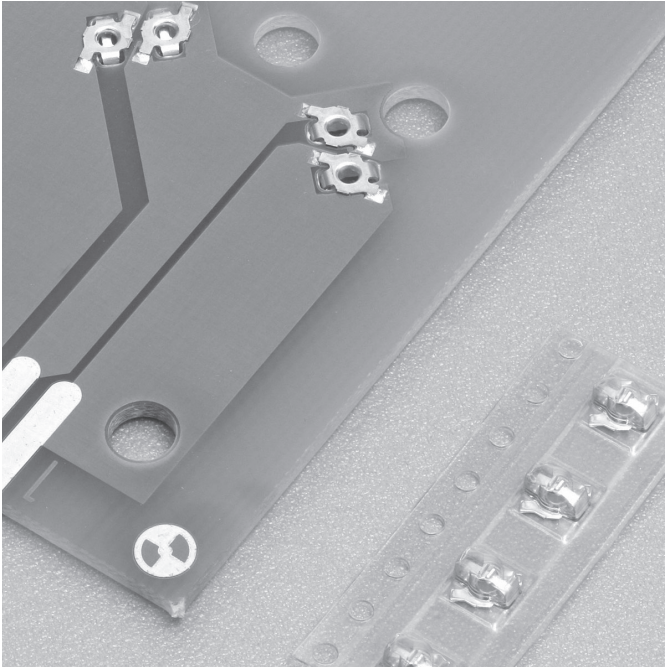


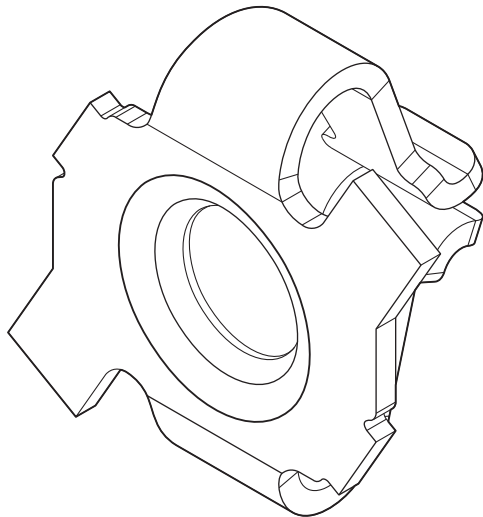
SBO CONNECTOR

Board-to-board



This contact can be placed anywhere on a PCB. This makes it flexible to connect with other male components with different pitches and different numbers of pins.

The receptacle is mainly designed inside the PCB thickness to have a low profile connector.



■ Features

- **Surface Mounting Type Connector for Automotive**
- **Low Profile**
Connector is partially inside thickness of PCB.
Height 2.34 mm.
- **Connecting with square 0.45 to 0.8 mm pins.**
- **Minimum pitch: 3.9 X 5.08 mm**
(Flexibility on PCB position.)

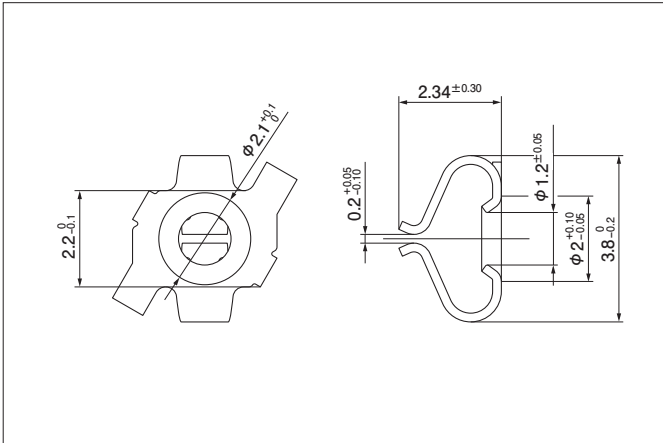
■ Specifications

- **Current rating: 3 A AC, DC**
- **Voltage rating: 24 V AC, DC**
- **Temperature range: -40°C to +105°C**
(including temperature rise in applying electrical current)
- **Contact resistance: Initial/ 8 mΩ max.**
After environmental tests/ 20 mΩ max.
- **Insulation resistance: 100 MΩ min.**
- **Withstanding voltage: 200 VAC/minute**
- **Counterpart: 0.45 to 0.8 mm square pins**
(Contact JST for other pin dimensions.)

* Compliant with ELV/RoHS.

* Contact JST for details.

Connector

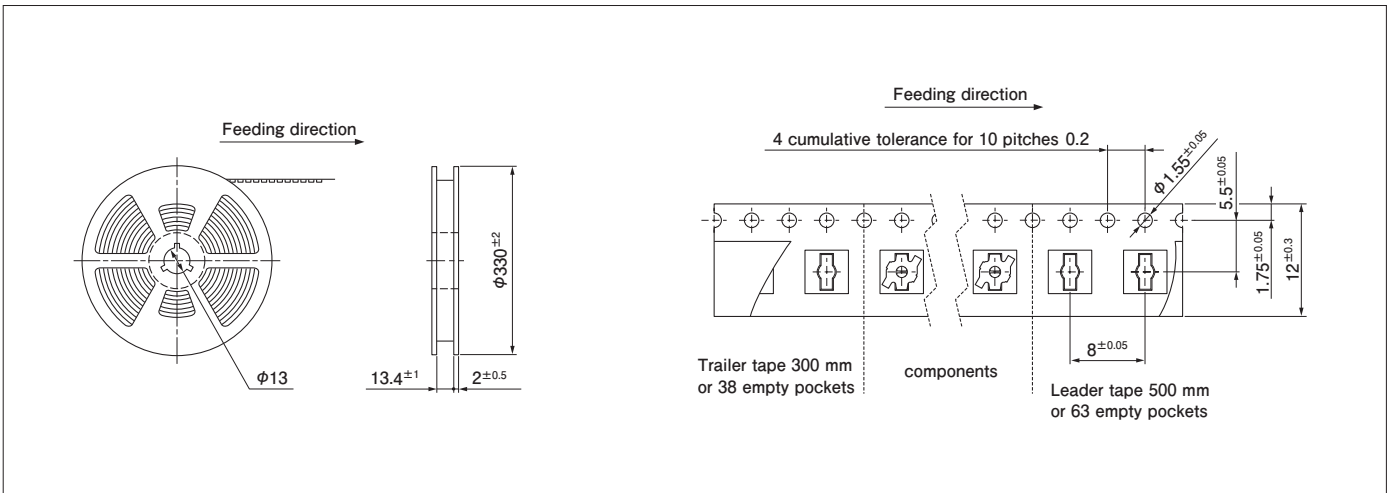


Circuits	Model No.	Q'ty/reel
Single	SSBO-0.2SPT-M0.55-L LF	3,500

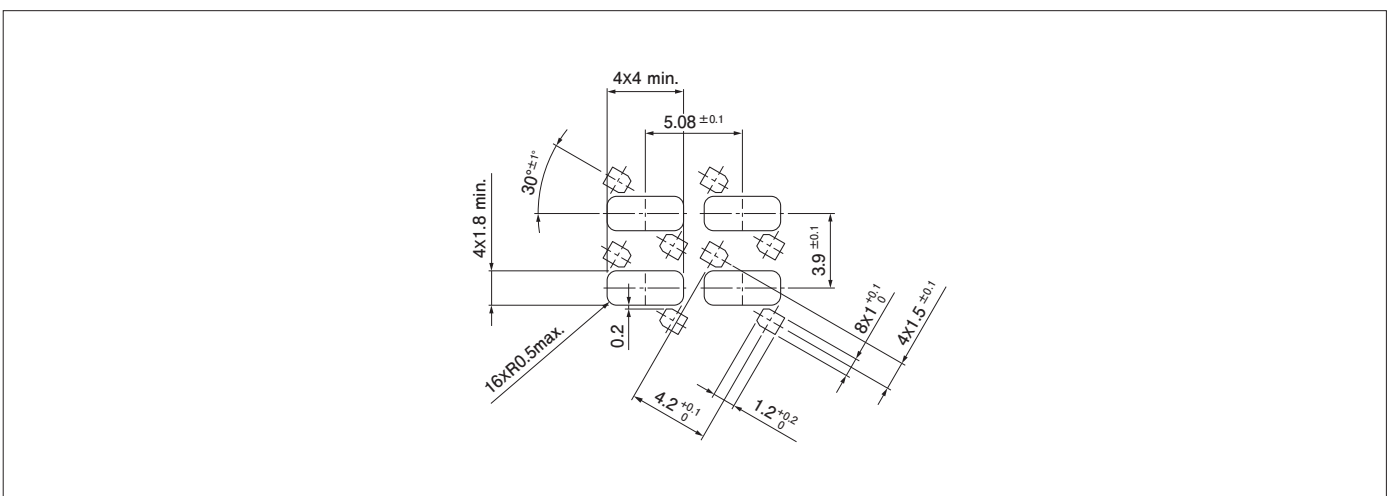
Material and Finish

Terminal: Copper alloy, tin-plated

Taping specifications



PC board layout



Note: 1. Tolerances are non-cumulative: 0.05mm for all centers.
2. The dimensions above should serve as guideline. Contact JST for details.