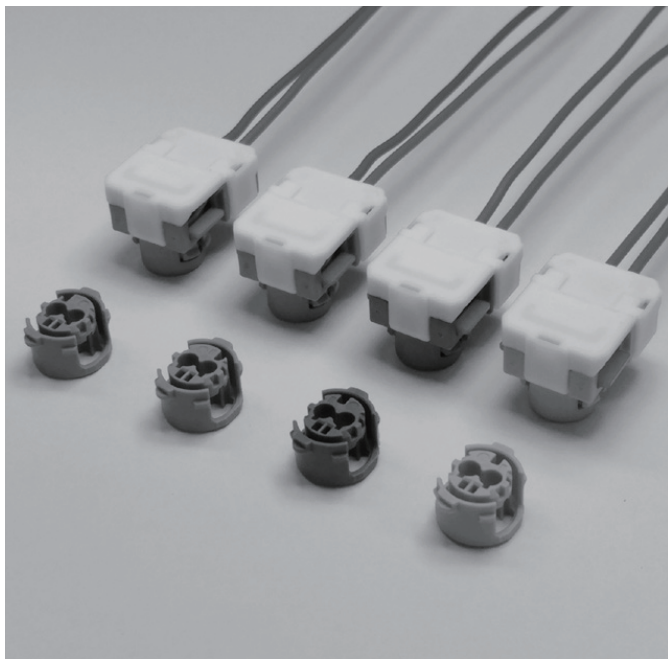
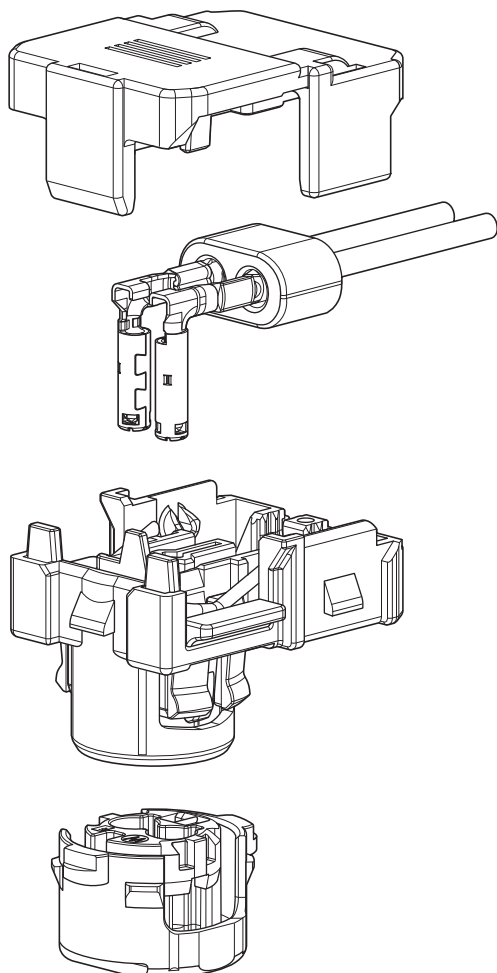


SQB CONNECTOR

Squib connectors



Shunt-less Squib Connector.
Connector for air-bag with Go/No-Go system, which allows locking connector and detect incomplete mating.



■ Features

- **Shunt-Less Squib Connector**
Mate with retainer without shorting bar.
- **Go / No-Go Mating System**
Self-rejection system to prevent incomplete mating.
Operation efficiency is improved by audible and tactile feeling of CPA clicking.
- **Stability of Electrical Connection**
Terminal has three contact points.
Prevent the deformation of contact area by covering ferrule to contact spring.
- **Noise Suppression**
Ferrite core provides simple and reliable noise suppression characteristics.

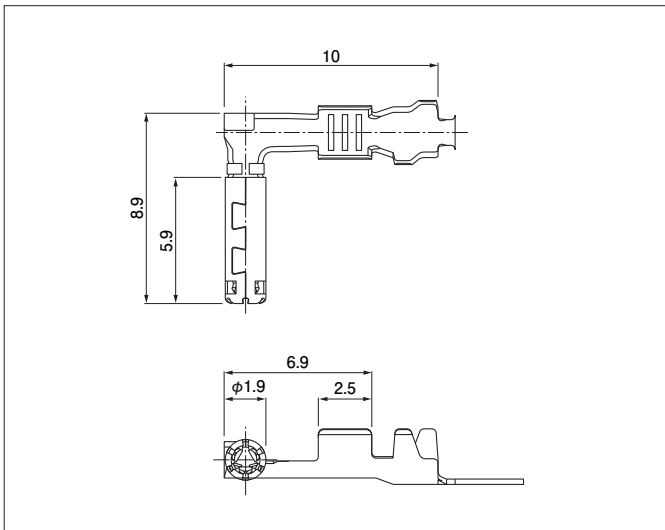
■ Specifications

- Current rating: 3 A AC, DC max.
- Temperature range: -40°C to +85°C
(including temperature rise in applying electrical current)
- Insulation resistance: 100 MΩ min.
- Applicable wire: AVSS
0.3 mm², 0.5 mm²
FLRY-A
0.35 mm², 0.5 mm²

* Compliant with ELV/RoHS.
* Contact JST for details.

SQB CONNECTOR

Female terminal

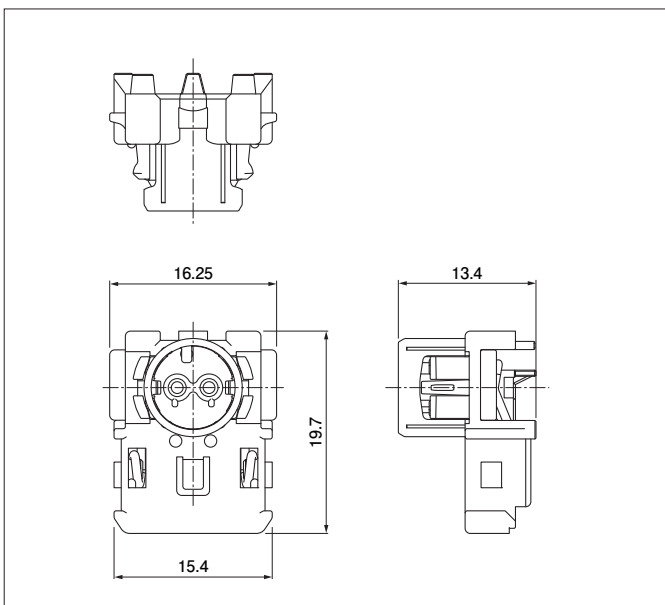


Model No.	Applicable wire range		Q'ty/reel
	Conductor (mm ²)	Insulation O.D. (mm)	
SSQSK-A03GJ-P-R	0.3 to 0.5	1.0 to 1.6	5,000
SSQSK-A03GJ-P-L	0.3 to 0.5	1.0 to 1.6	5,000

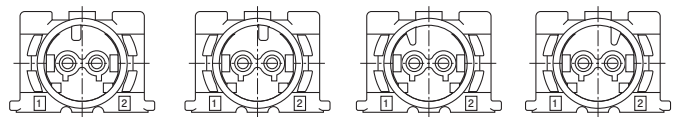
Material and Finish

Copper alloy, nickel-undercoated,
Contact area; gold-plated (0.8 μm min.)
Barrel area; tin-plated

Female housing assembly



Keying figure



W code

X code

Y code

Z code

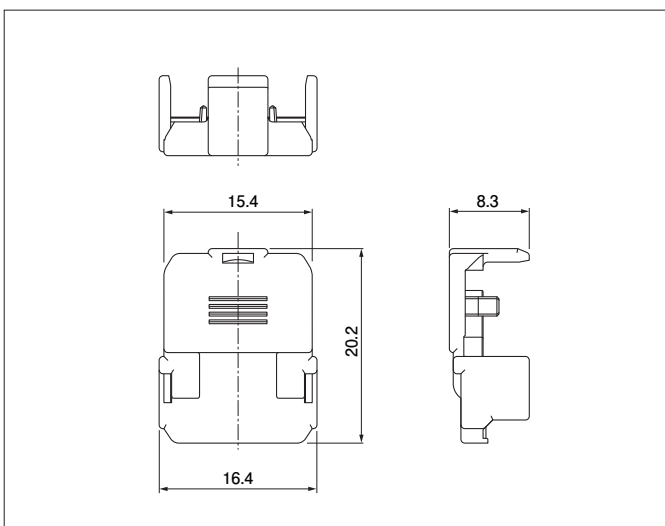
Circuits	Model No.	Keying figure	Q'ty/box	Color
2	SQBRB-02-1A-PK	W code	Note)	Pink
	SQBRB-02-1B-DV	X code		Purple
	SQBRB-02-1C-H	Y code		Gray
	SQBRB-02-1D-M	Z code		Green

Material

Female housing; Glass-filled PBT
CPA; Glass-filled PBT, Orange
Spring; SUS

Note: Contact JST for details.

Cover housing



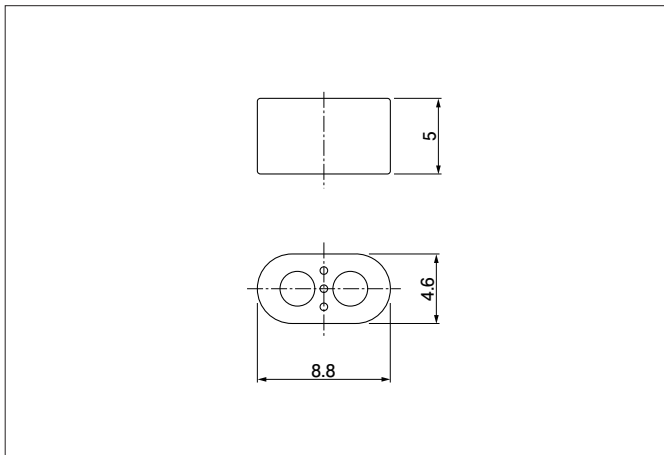
Circuits	Model No.	Q'ty/box	Color
2	SQBL-02H-1A-Y	Note)	Yellow

Material

Glass-filled PBT

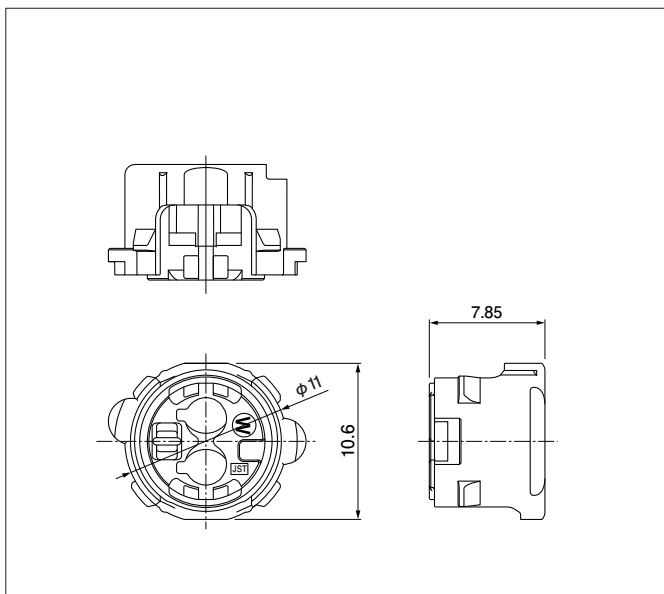
Note: Contact JST for details.

Ferrite

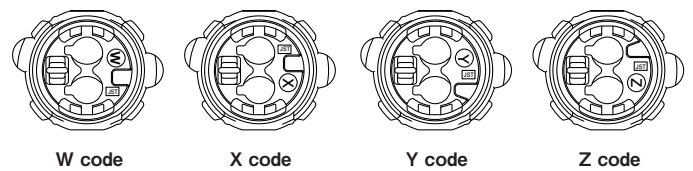


Circuits	Model No.	Q'ty/box
2	SQZF-02-1A	1,500

Retainer



●Keying figure



Circuits	Model No.	Keying figure	Q'ty/box	Color
2	SQBP-02H-1A-PK	W code	15,000	Pink
	SQBP-02H-1B-DV	X code		Purple
	SQBP-02H-1C-H	Y code		Gray
	SQBP-02H-1D-M	Z code		Green

Material

Glass-filled PA 66

Crimping machine, Applicator

Strip terminal	Crimping machine	Crimp applicator MKS-L	
		Dies	Crimp applicator with dies
SSQSK-A03GJ-P-R	AP-K2N	MK/SSQSK-A03-P	APLMK SSQSK-A03-P
SSQSK-A03GJ-P-L			

Note: When crimping operation is conducted using an applicator and die set other than the above, JST cannot guarantee the performance of the terminal.