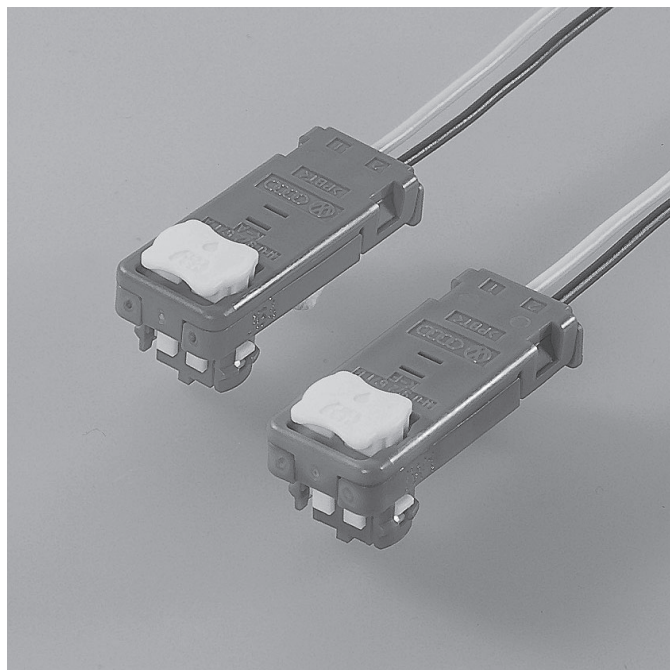
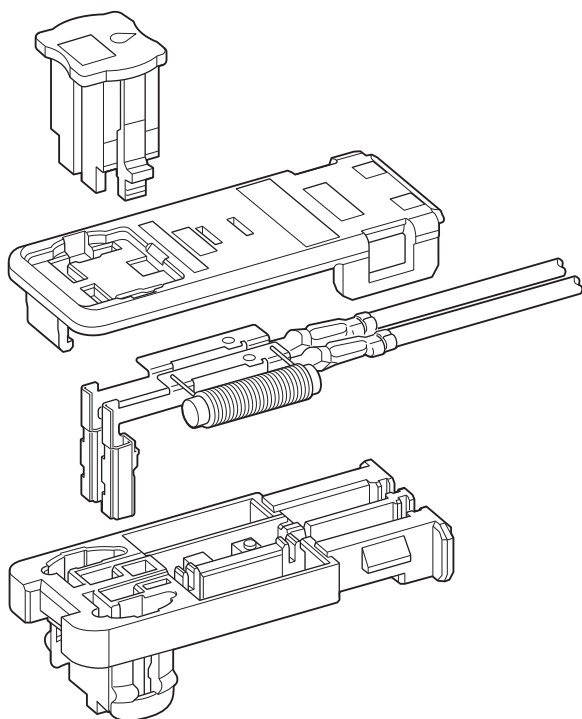


SQW CONNECTOR

Squib connectors



This connector for air-bag has intelligent CPA, which allows locking the connector, incomplete mating detection and release of short-circuit at the same time and achieves high resistance to noise at the specific frequency range with a built-in coil.



■ Features

● Mating

Intelligent CPA adopted. It enables the connector to be locked securely and prevents incomplete mating on the assembly line resulting in improved connector retention force.

● Terminal construction

It is designed to prevent the deformation of the contact part when processing wire harness by protecting the contact part of each terminal with a box.

● Scooping (kojiri) preventive construction

Using a shunt ring with a countermeasure for scooping (kojiri), the resistance to scooping (kojiri) insertion and withdrawal is improved.

● Noise suppression

High resistance to noise at the specific frequency range is achieved with a built-in coil.

■ Specifications

- Temperature range: -30°C to +80°C
(including temperature rise in applying electrical current)
- Insulation resistance: 100 MΩ min.
- Applicable wire: 0.5 mm²

Note: In principle, only SQW connector as harness-processed product is supplied due to built-in coil.

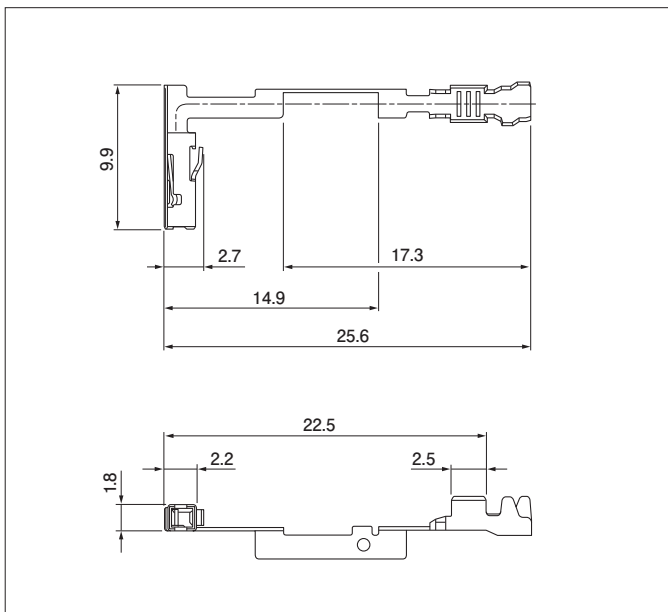
Contact JST for details of available wire harness specification.

* Compliant with ELV/RoHS2.

* Contact JST for details.

SQW CONNECTOR

Female terminal

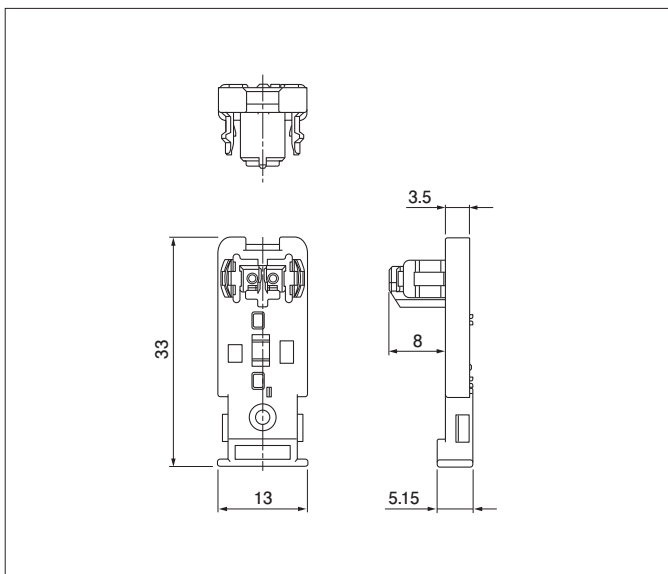


Model No.	Applicable wire range		Q'ty/reel
	Conductor (mm ²)	Insulation O.D. (mm)	
SSQW-A03GI-P-P	0.5	1.6	5,000

Material and Finish

Copper alloy, nickel-undercoated, Contact area; gold-plated

Female housing

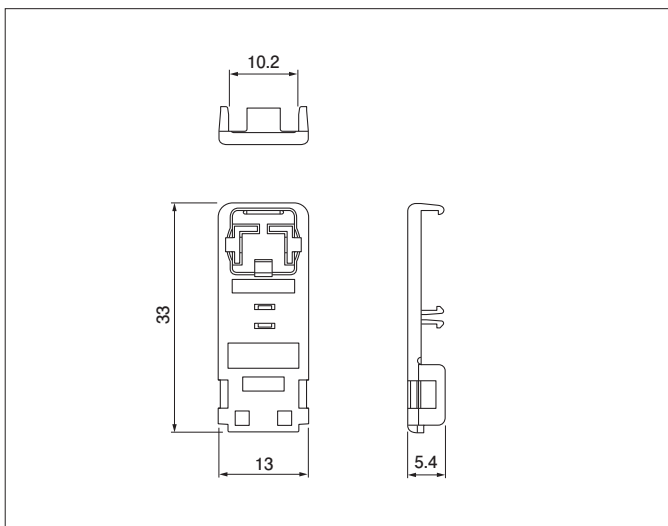


Circuits	Model No.	Q'ty/box	Color
2	SQWR-02H-1A-LP	500	Purple
	SQWR-02H-1C-D	500	Orange

Material

PBT

Cover housing

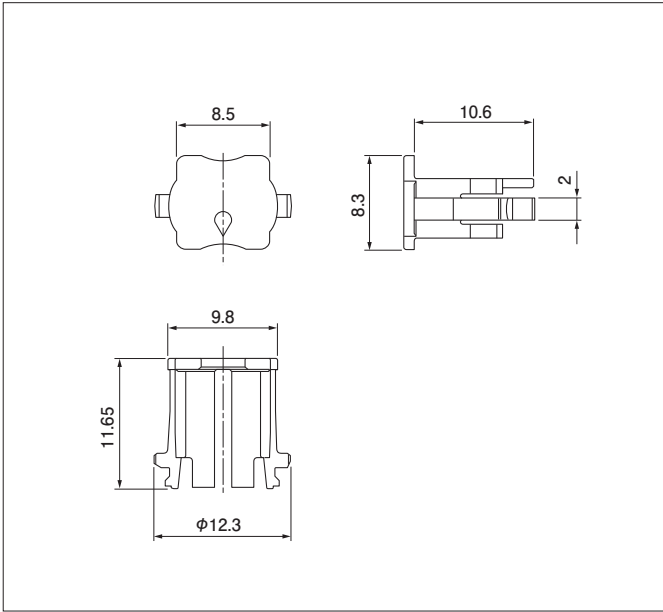


Circuits	Model No.	Q'ty/box	Color
2	SQWL-02H-1-LP B	500	Purple
	SQWL-02H-1-M A	500	Green

Material

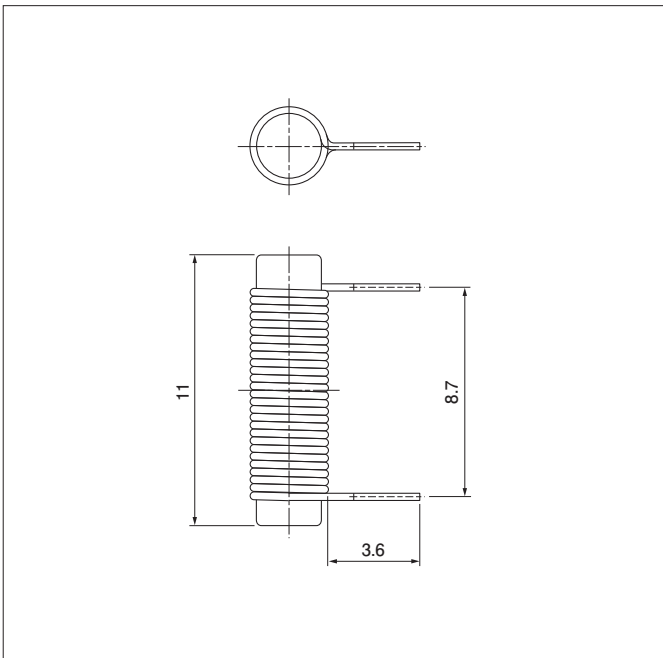
PBT

CPA housing



Circuits	Model No.	Q'ty/bag	Color
2	SQWC-02H-1A-Y	2,000	Yellow
Material			
Glass-filled PBT			

Coil



Model No.	Q'ty/box
SQWW-02-1A	—