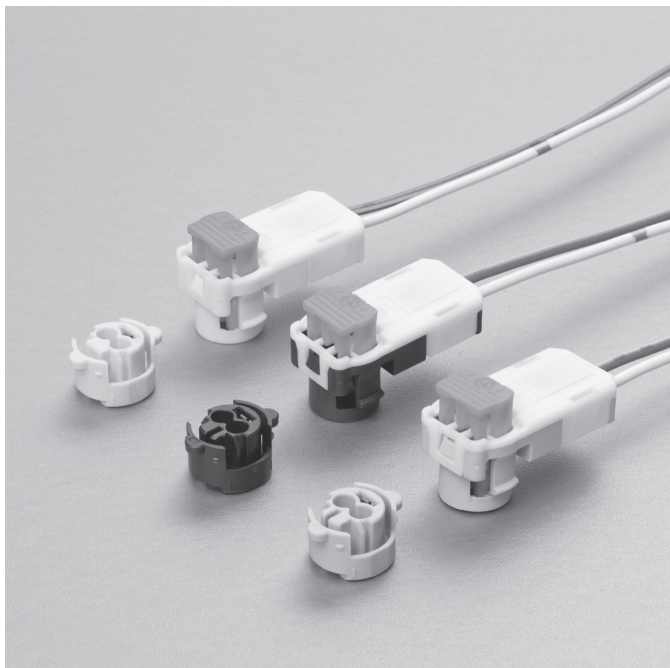


# SQXW CONNECTOR

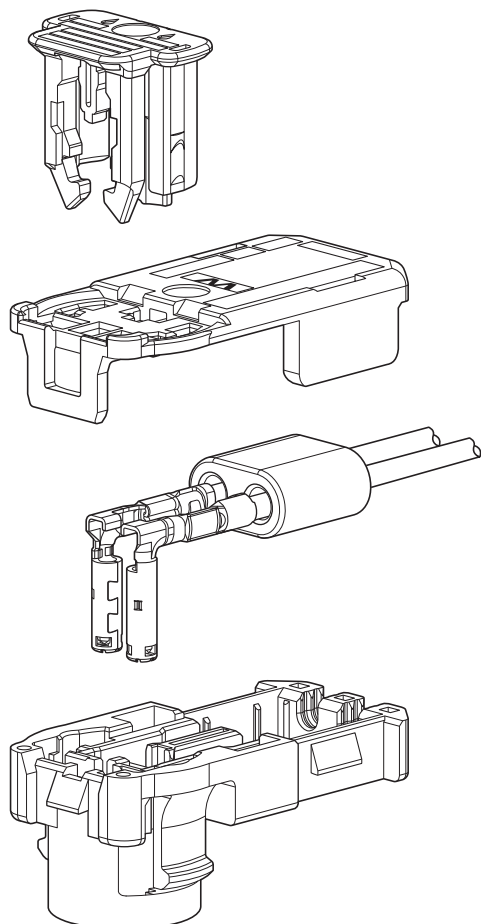
Squib connectors



Conforming to ISO 19072-4.

## ■ Features

- **Inertial Locking**  
Intelligent CPA enables connector locking, prevent incomplete mating and release of short circuit at the same time.
- **Interface and Performance**  
Mated with retainer designed by ISO 19072-4.  
Connector performance satisfies ISO 19072-2.
- **Stability of Electrical Connection**  
Terminal has three contact points.  
Prevent the deformation of contact area by covering ferrule to contact spring.
- **Noise Suppression**  
Ferrite core provides simple and reliable noise suppression characteristics.
- **CPA**  
The upper part of CPA is made as large as possible and the shape which fits fingers well contributes to efficient work.  
4mm stroke provides recognition of the CPA position.

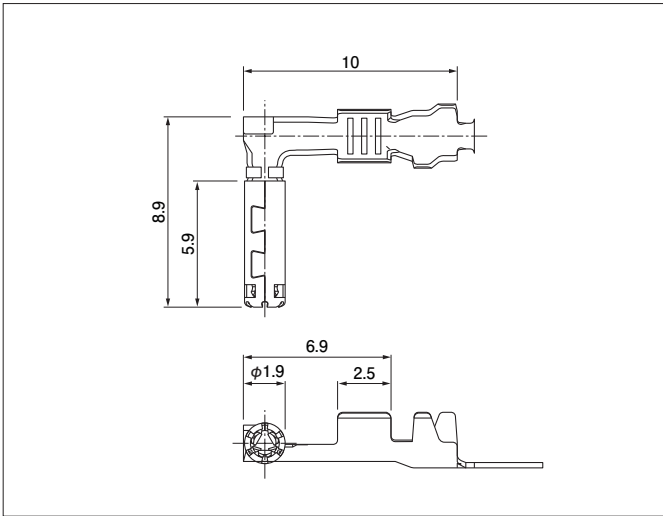


## ■ Specifications

- Current rating: 3 A AC, DC max.
- Temperature range: -40°C to +85°C  
(including temperature rise in applying electrical current)
- Insulation resistance: 100 MΩ min.
- Applicable Wire: AVSS  
0.3 mm<sup>2</sup>, 0.5 mm<sup>2</sup>  
FLRY-A  
0.35 mm<sup>2</sup>, 0.5 mm<sup>2</sup>

\* Compliant with ELV/RoHS.  
\* Contact JST for details.

## Female terminal

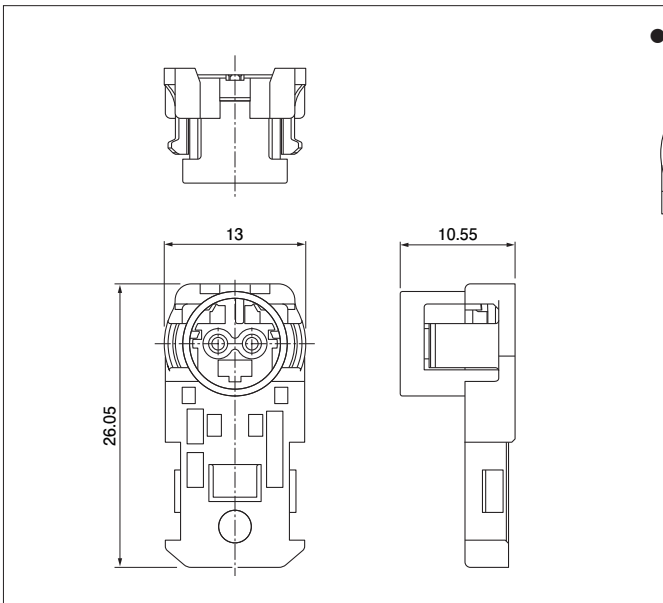


Model No.	Applicable wire range		Q'ty/reel
	Conductor (mm <sup>2</sup> )	Insulation O.D. (mm)	
SSQSK-A03GJ-P-R	0.3 to 0.5	1.0 to 1.6	5,000
SSQSK-A03GJ-P-L	0.3 to 0.5	1.0 to 1.6	5,000

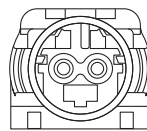
### Material and Finish

Copper alloy, nickel-undercoated,  
Contact area; gold-plated (0.8 μm min.)  
Barrel area; tin-plated

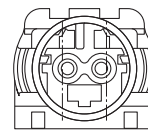
## Female housing



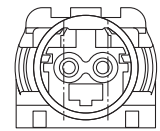
### ●Keying figure



I code



II code



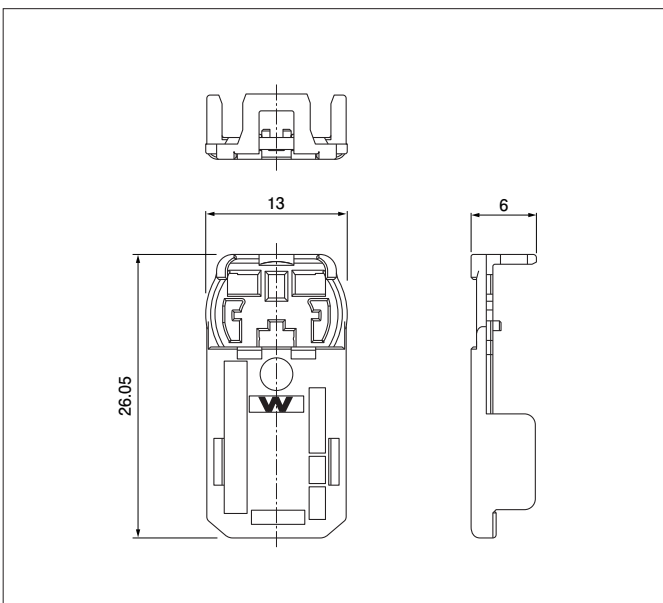
III code

Circuits	Model No.	Keying figure	Q'ty/box	Color
2	SQXR-02H-2A-K	I code	500	Black
	SQXR-02H-2B-LM	II code	500	Light green
	SQXR-02H-2C-Y	III code	500	Yellow

### Material

Glass-filled PBT

## Cover housing



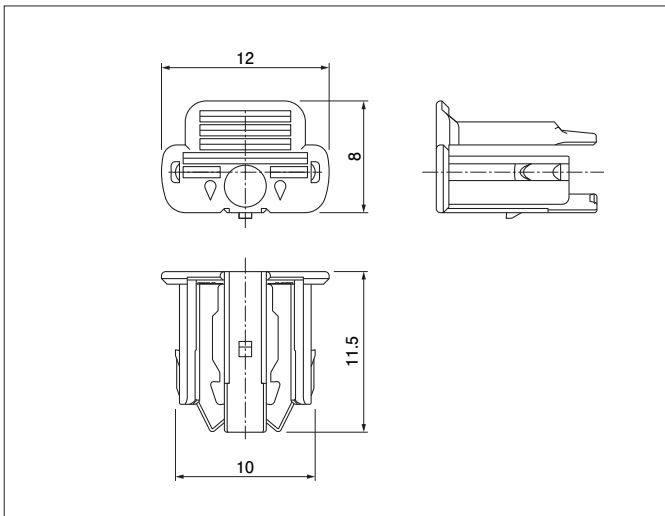
Circuits	Model No.	Q'ty/bag	Color
2	SQXL-02H-1W-Y	500	Yellow

### Material

Glass-filled PBT

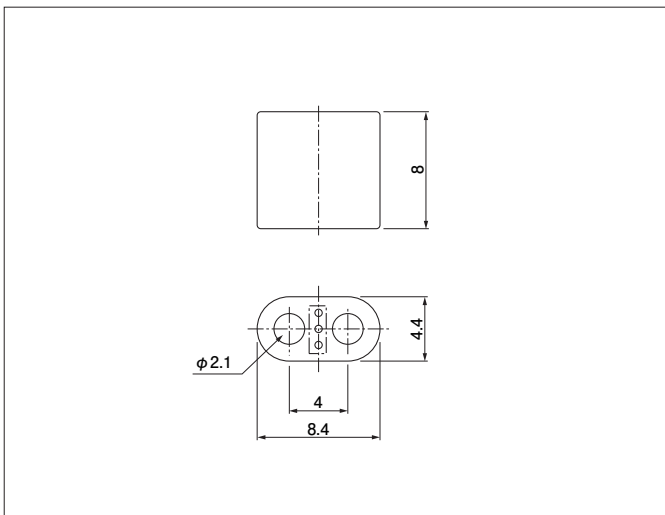
# SQXW CONNECTOR

## CPA housing



Circuits	Model No.	Q'ty/bag	Color
2	SQXC-02H-1W-D	1,000	Orange
Material			
Glass-filled PBT			

## Ferrite



Circuits	Model No.	Q'ty/box
2	SQXF-02-1A	1,000

## Crimping machine, Applicator

Strip terminal	Crimping machine	Crimp applicator MKS-L	
		Dies	Crimp applicator with dies
SSQSK-A03GJ-P-R	AP-K2N	MK/SSQSK-A03-P	APLMK SSQSK-A03-P
SSQSK-A03GJ-P-L			

Note: When crimping operation is conducted using an applicator and die set other than the above, JST cannot guarantee the performance of the terminal.