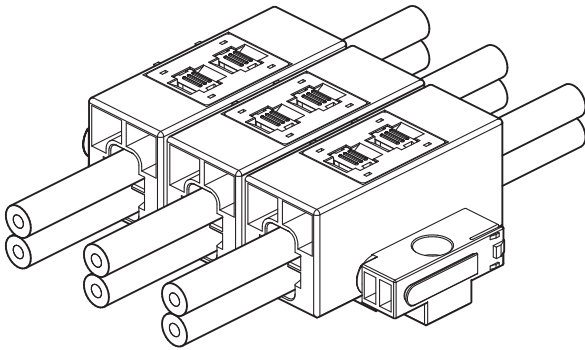


TBX CONNECTOR

25.0 mm pitch/ Wire-to-Wire connectors (Spring type terminal block)



This is a short-circuit type wire-to-wire connector for power systems that can be configured to a maximum of four lines. The output side, for instance, can be branched into 1 to 3 lines for 1 line on the input side, or vice versa, depending on the application. The TBX connector is to be used with JST part number R8-5 which are general purpose ring tongue terminals.

- Retainer prevents ring tongue terminals from being disconnected
- Multiple connectors can be combined into one set
- * The above figure is an image of three connectors interconnected as one set.

Specifications

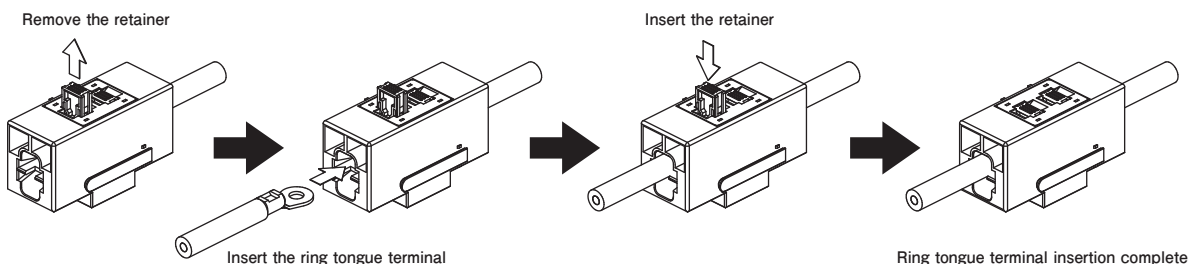
- Current rating: 50 AC/DC (AWG #8)
 - Note: This is the maximum value of total input current that can be applied when terminal R8-5 is properly crimped to AWG #8. The total input current should not exceed 50 A.
 - Voltage rating: 600 V AC/DC
 - Temperature range: -25°C to +85°C (including temperature rise in applying electrical current)
 - Contact resistance:
 - Initial value/ 1 mΩ max.
 - After environmental tests/ 2 mΩ max.
 - Insulation resistance: 1,000 MΩ min.
 - Withstanding voltage:
 - There shall be no breakdown or flashover while applying 2,500 VAC for one minute.
 - Applicable wire:
 - Conductor size/ AWG #8
 - Insulation O.D./ $\phi 7.2$ mm to $\phi 8$ mm
 - Applicable ring tongue terminal: R8-5 manufactured by JST
- * Please refer to the "Handling Precautions for Terminals and Connectors" on our website (listed in the "Technical Documents" column on the Product Information page) before use.
- * RoHS2 compliance
- * Dimensional unit: mm
- * Contact JST for details.

Standards

For information on overseas standard registrations, please refer to the "List of Registered Overseas Standards" on our website (listed in the "Technical Documents" column on the Product Information page).

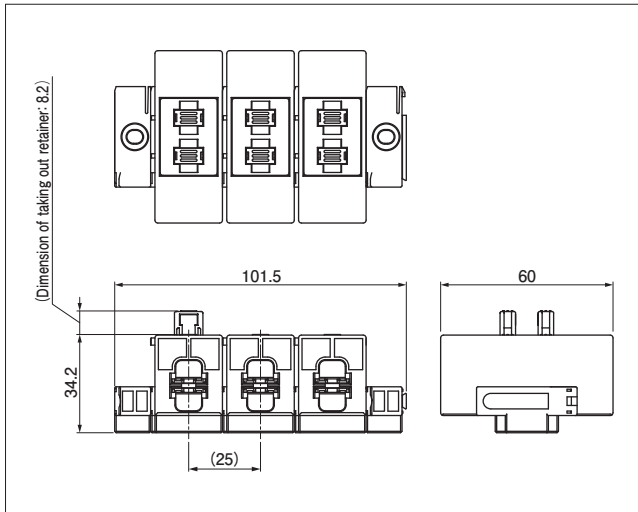
* Specifications registered to overseas standards may differ from the general specifications listed above.

Ring tongue terminal insertion method



TBX CONNECTOR

Connector

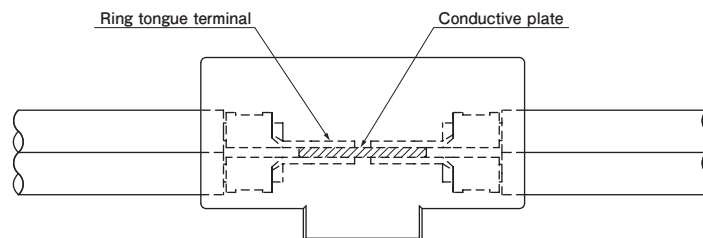


Model No.	Material and Surface finish, etc.		Set/box
TBX-03K-S4DA	Housing	PBT (GF), black	10
	Cover housing	PBT (GF), black	
	Retainer	PBT (GF), natural	
	Conductive plate	Copper, tin-plated	
	Spring	Stainless steel	
	Panel lock	PBT (GF), black	

Note: 1. The model number above is for a set product in which three connectors are combined.
 2. For flame retardant grade of resin material used, please refer to the "List of Registered Overseas Standards" on our website (listed in the "Technical Documents" column on the Product Information page).

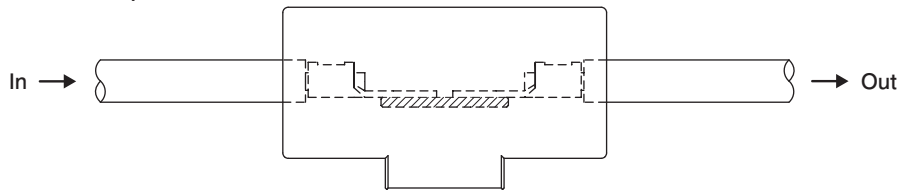
Current path

There are a total of four mounting holes for ring tongue terminals, which are then short-circuited inside the connector when mounted.

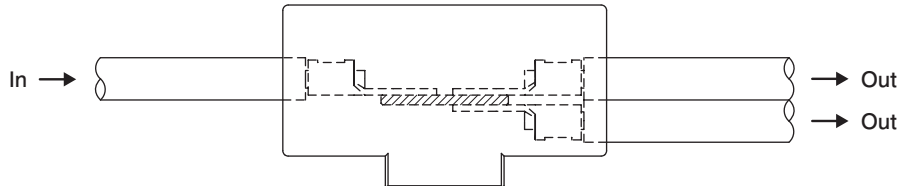


• Example of current path

<Example1>



<Example2>



<Example3>

