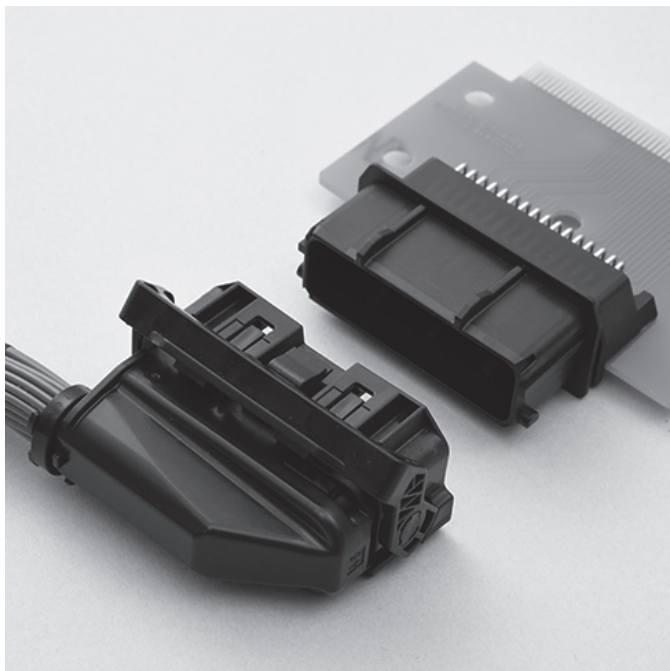


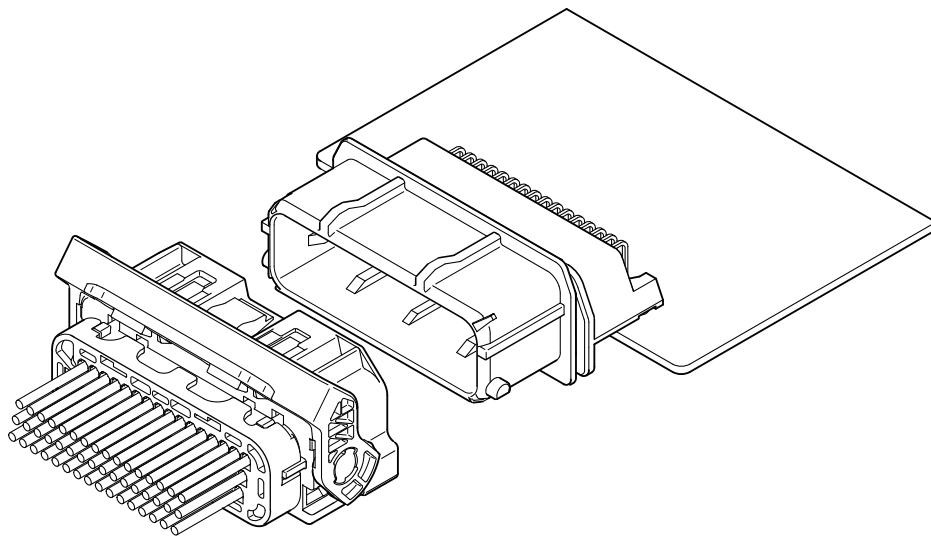
TCUD_{CONNECTOR}

Board-to-wire



This connector is 48 circuits sealed and lever type connector.

Female connector is ZRO, and TCUD male connector is lower height than ZRO male connector.



■ Features

- **Lower profile**
The height from PC board is lower than ZRO connector.
- **Improvement of Operability**
The lever is adopted to decrease the connector mating force.
The fixing part to PC board is lightly press-fitted boss configuration in consideration of the workability when assembling.
- **Sealed**
Mat seal is adopted for improving the workability of wire seal part.
- **Durability**
Heat resistant specification corresponding up to 125°C.
- **Variation**
If the optional harness cover is used, the harness can be taken out from the side.

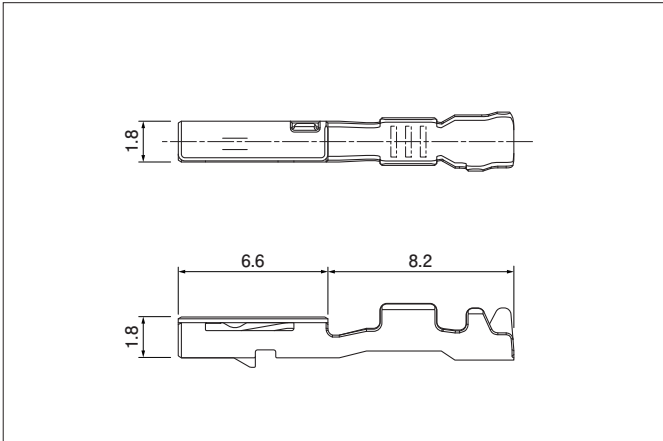
■ Specifications

- **Current rating:** Power/ 7 A DC
Signal/ 5 A DC
- **Withstanding voltage:** 1,000 VAC/minute
- **Temperature range:** -40°C to +125°C
(including temperature rise in applying electrical current)
- **Contact resistance:** Initial value/ 8 mΩ max.
After environmental tests/ 16 mΩ max.
- **Insulation resistance:** 100 MΩ min.
- **Applicable wire:** AVSS 0.3 mm² to 0.85 mm²
AESSX-f 0.3 mm² to 0.75 mm²

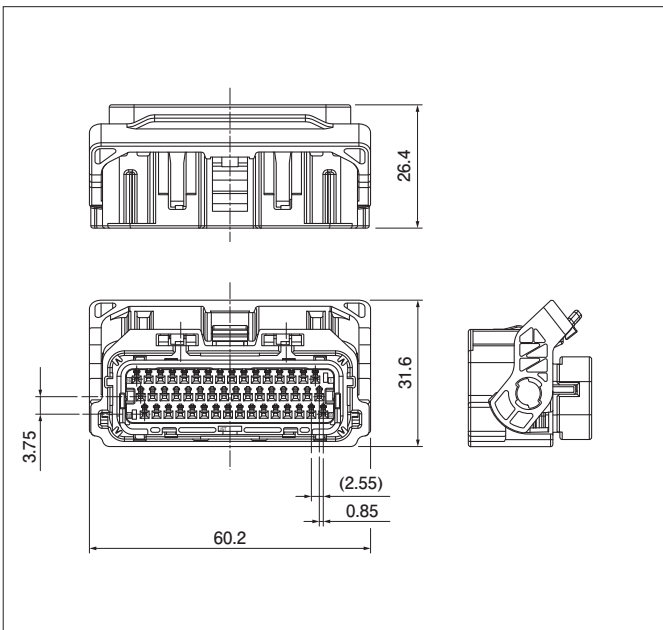
* Compliant with ELV/RoHS2.

* Contact JST for details.

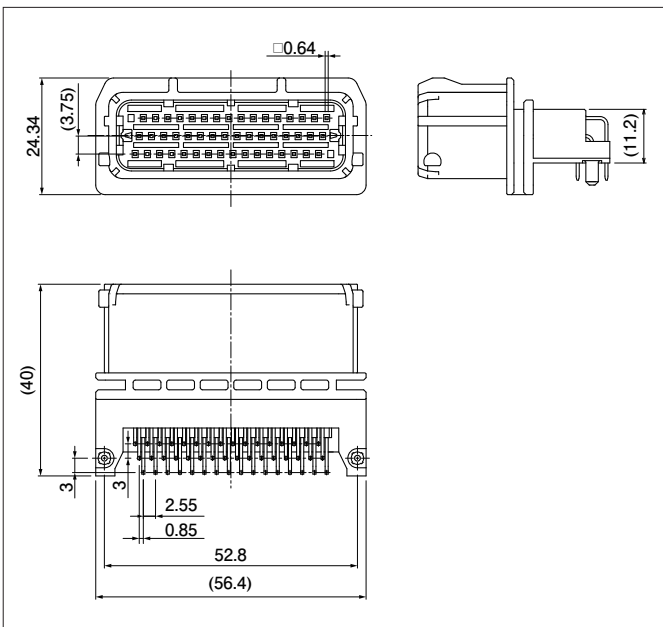
Female terminal



Female connector



Male connector



Model No.	Applicable wire range		Q'ty/reel
	Conductor (mm ²)	Insulation O.D. (mm)	
SZRO-A021T-M0.64	0.3 to 0.5	1.4 to 1.7	7,500
SZRO-A031T-M0.64	0.75 to 0.85	1.8 to 1.9	7,000

Material and Finish

Copper alloy, tin-plated (reflow treatment)

Circuits	Model No.	Key Code	Applicable wire range (mm ²)	Housing Color	Wire seal Color	Q'ty/box
48	48ZRO-B-1A	A	0.5 to 0.85	Black	Brown	384
	48ZRO-B-3A	A	0.3 to 0.85	Black	Blue	384

Material and Finish

Housing: Glass-filled PBT
Seal: Silicone
Lever: POM

Note: Applied to 0.75 mm² and 0.85 mm² wires has a limit to an arrangement and number of wires. Refer to the drawing or contact JST for details.

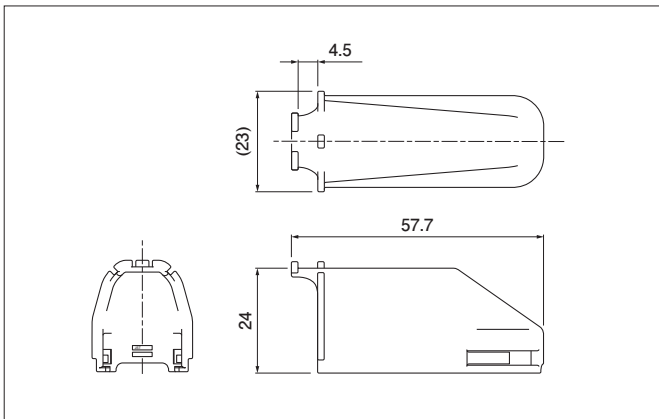
Circuits	Model No.	Key Code	Housing Color	Q'ty/reel
48	S48B-TCUDK-1	A	Black	192

Material and Finish

Housing: Glass-filled PBT
Pin: Brass, tin-plated (reflow treatment)

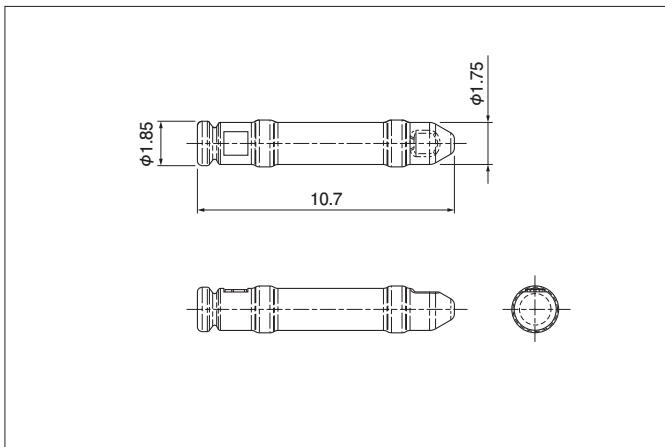
TCUD CONNECTOR

Harness cover



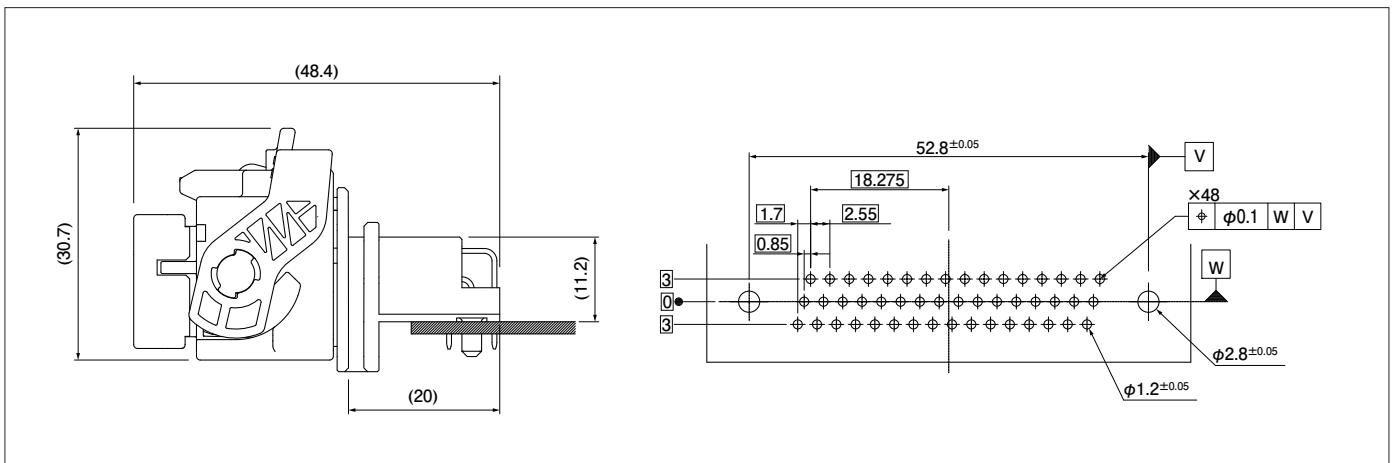
Circuits	Model No.	Housing Color	Q'ty/box
48	ZROHC-48H-K-1	Black	600
Material and Finish			
PBT			

Dummy plug



Model No.	Q'ty/box
WPHDP-H-1A-H	7,000
Material and Finish	
PBT, Gray	

PC board layout, Assembly layout



Crimping machine, Applicator

Strip terminal	Crimping machine	Crimp applicator MKS-L	
		Dies	Crimp applicator with dies
SZRO-A021T-M0.64	AP-K2N	MK/SWPH-A021-064	APLMK SWPH-A021-064
SZRO-A031T-M0.64		MK/SZRO-A031-064	APLMK SZRO-A031-064

Note: When crimping operation is conducted using an applicator and die set other than the above, JST cannot guarantee the performance of the terminal.