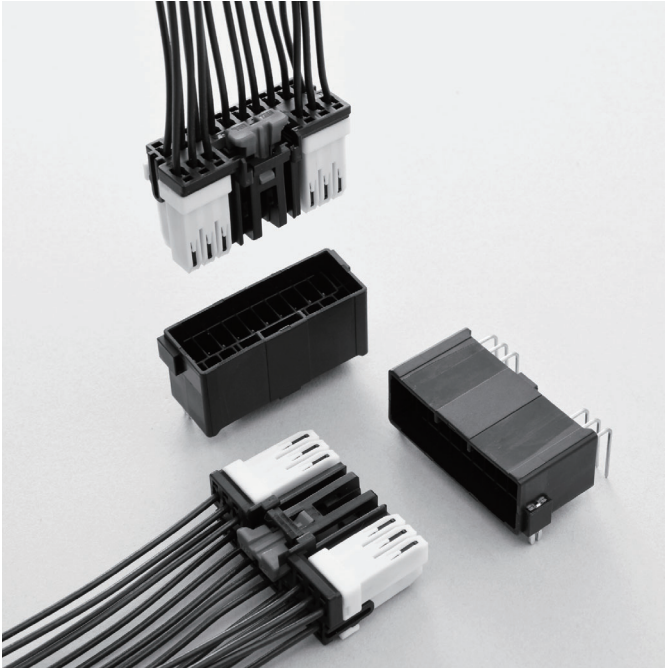


# TLDR CONNECTOR

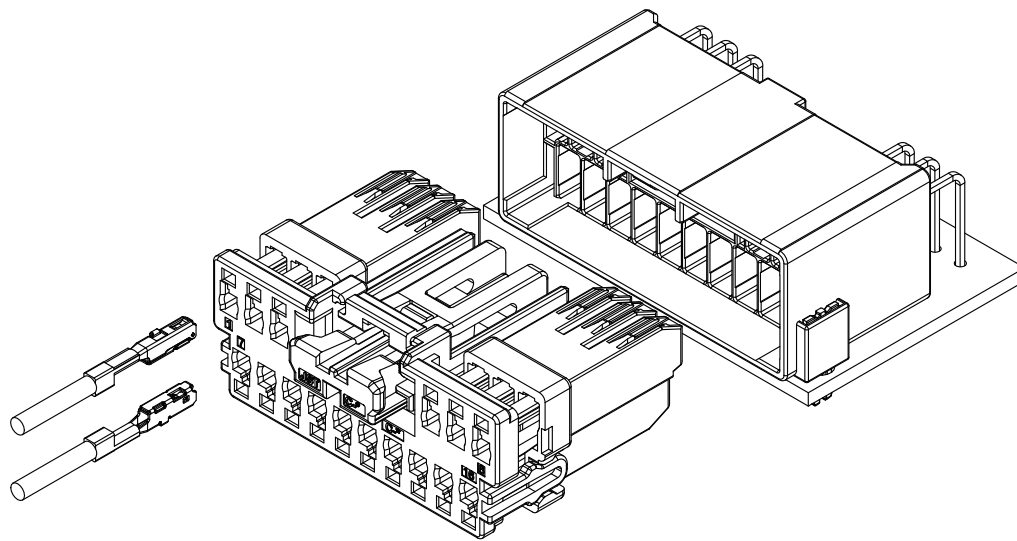
Board-to-wire



0.64 low profile automotive connectors for High voltage and low current applications

## Features

- High voltage, low current
- Terminal Secondary Lock and CPA function
- Individual Chamber
- Low profile

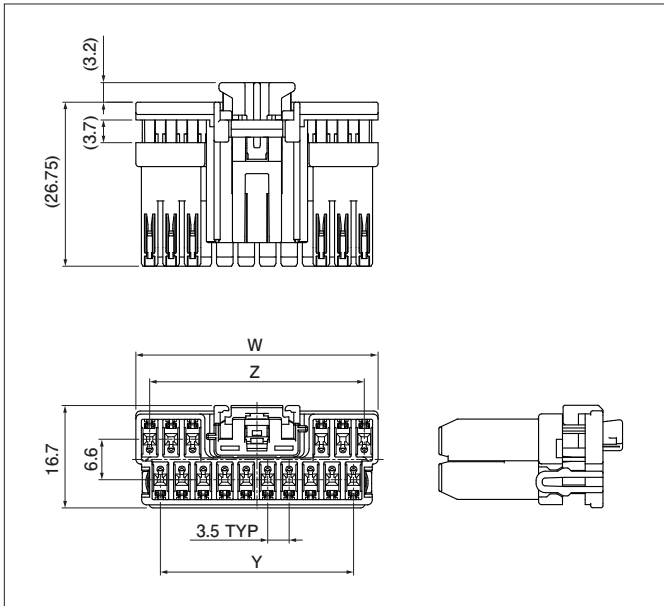


## Specifications

- Current rating: 5.0 A DC max.
- Voltage rating: 600 V max.
- Temperature range: -40°C to +125°C  
(including temperature rise in applying electrical current)
- Contact resistance: Initial value/ 20 mΩ max.  
After environmental tests/ 20 mΩ max.
- Applicable wire: ISO6722-1  
0.35 mm<sup>2</sup> to 0.5 mm<sup>2</sup> (AWG #22 to #20)

\* Compliant with ELV/RoHS2.  
\* Contact JST for details.

## Female connector



No. of circuits	Model No.	Dimensions (mm)			Color			Q'ty /box
		W	Y	Z	Shroud	TLC	CPA	
12	TLDRPB-12-2ED	32.5	24.5	28.0	Orange	Orange	Red	1,200
16	TLDRPB-16-2AK	39.5	31.5	35.0	Natural	Black		1,000
	TLDRPB-16-2BH					Gray		

### Material and Finish

Shroud, Terminal Lock Carrier (TLC) and CPA: Glass-filled PBT

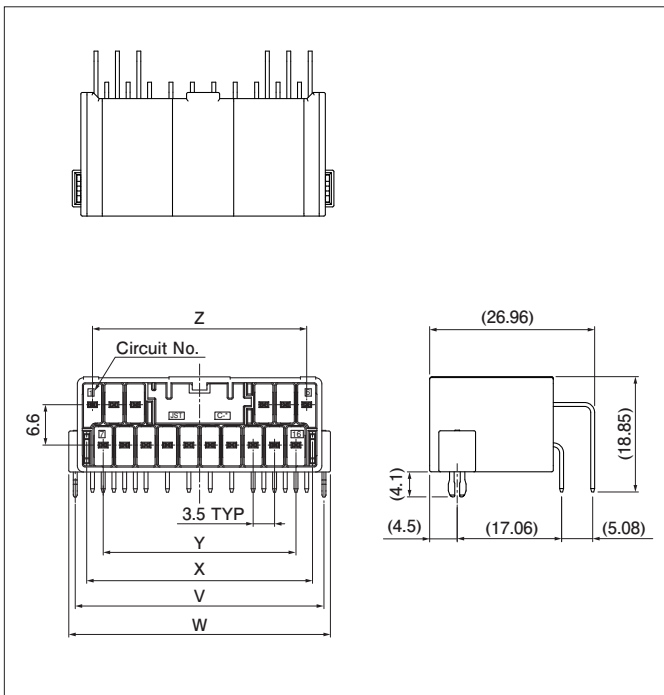
Female terminal	Applicable wire range		
	Conductor (mm <sup>2</sup> )	Conductor (AWG)	Insulation O.D. (mm)
2035334-3 or equivalent	0.35 to 0.5	22 to 20	1.5 to 1.85

### Material and Finish

Copper alloy, tin-plated (Refer to TE connectivity for details.)

Note: Contact JST for other circuits.

## Male connector (Side entry type)



No. of circuits	Model No.	Dimensions (mm)					Housing Color	Q'ty /box
		V	W	X	Y	Z		
12	S12B-TLDR-2ED	33.64	35.75	29.9	24.5	28.0	Orange	768
16	S16B-TLDR-2AK	40.64	42.75	36.9	31.5	35.0	Black	576
	S16B-TLDR-2BH						Gray	

### Material and Finish

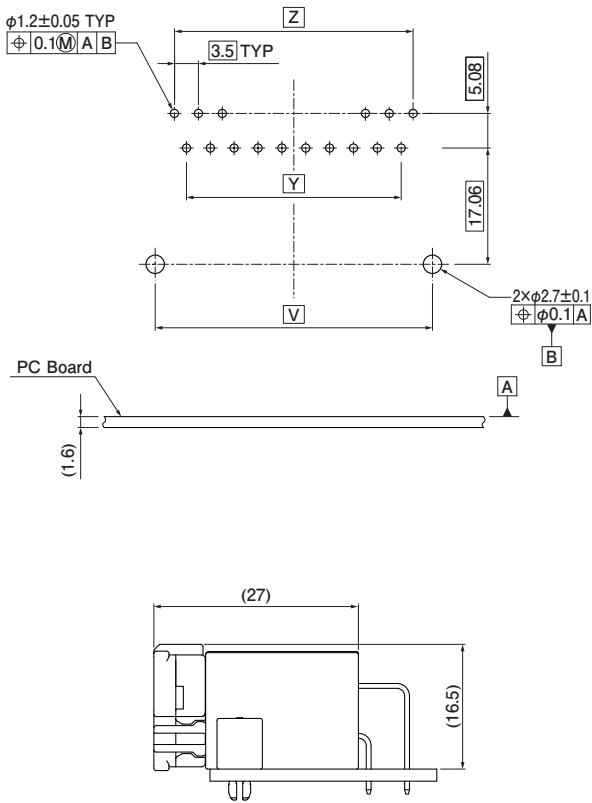
Housing : Glass-filled PBT

Pin: Brass, tin-plated

Reinforcement: Phospor bronze, tin-plated

# TLDR CONNECTOR

## PC board layout and Assembly layout (Side entry type)



No. of circuits	Dimensions (mm)		
	V	Y	Z
12	33.64	24.5	28.0
16	40.64	31.5	35.0