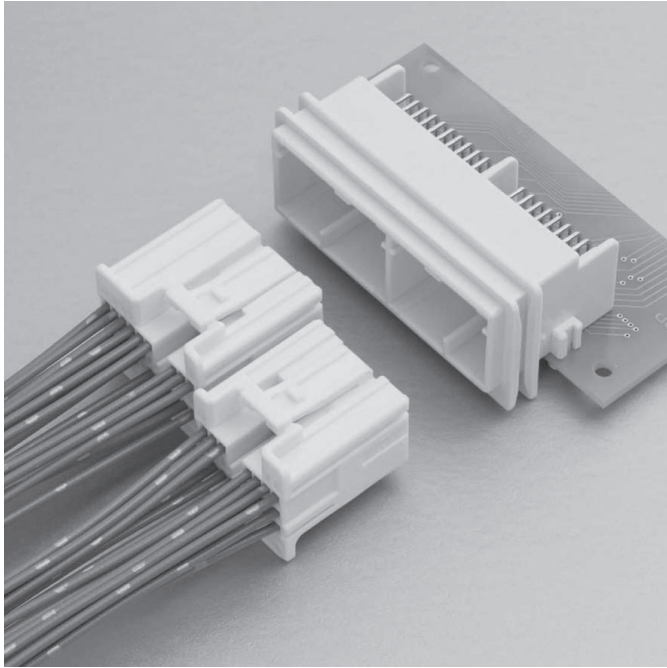
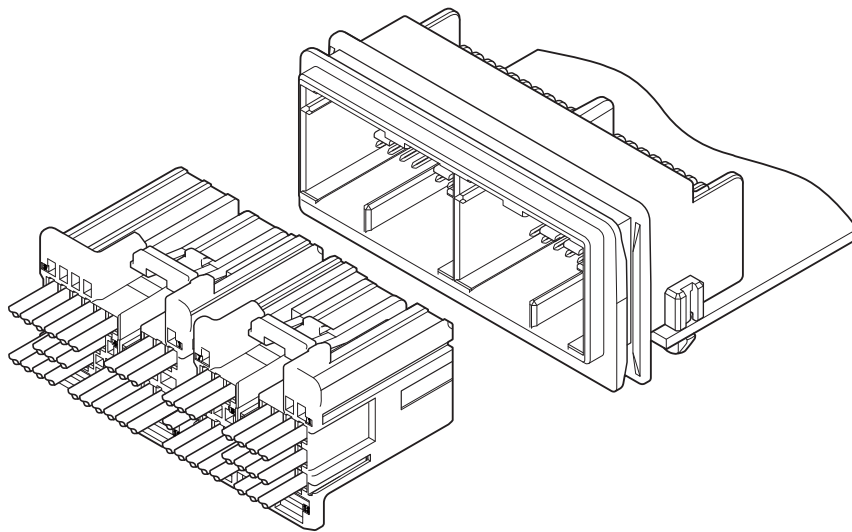


# TRZ CONNECTOR

Board-to-wire



Air-bag ECU I/O connector for automobile.



## ■ Features

- **Detection System for Incomplete Mating**  
CPA terminals electrically detect the incomplete mating of connector.

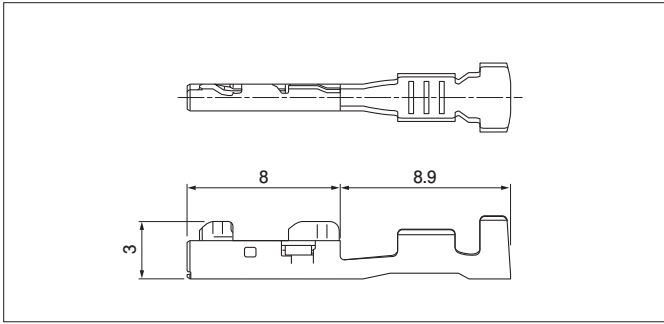
## ■ Specifications

- Current rating: 5 A AC, DC
- Voltage rating: 50 V AC, DC
- Temperature range: -40°C to +105°C  
(including temperature rise in applying electrical current)
- Contact resistance: Initial value/ 8 mΩ max.  
After environmental tests/ 16 mΩ max.
- Insulation resistance: 100 MΩ min.
- Withstanding voltage: 100 VDC/minute
- Applicable wire: AVSS/ CAVS/ CIVUS/ CHFUS  
0.5 mm<sup>2</sup>

\* Compliant with ELV/RoHS.

\* Contact JST for details.

## Female terminal



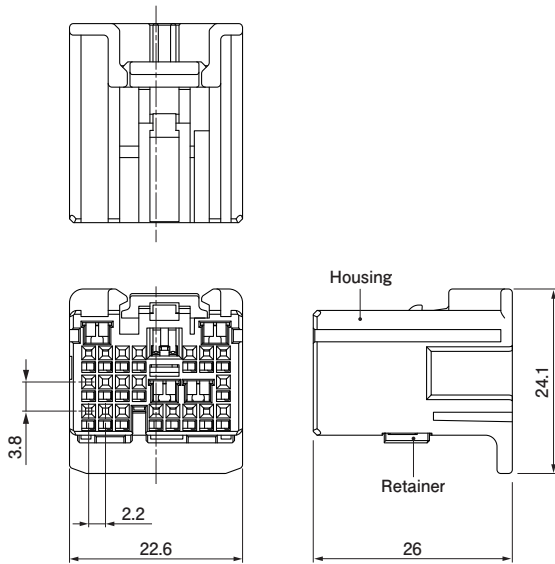
Model No.	Applicable wire range		Q'ty/reel
	Conductor (mm <sup>2</sup> )	Insulation O.D. (mm)	
SNAC3-A021T-M0.64	0.5	1.8	5,000

### Material and Finish

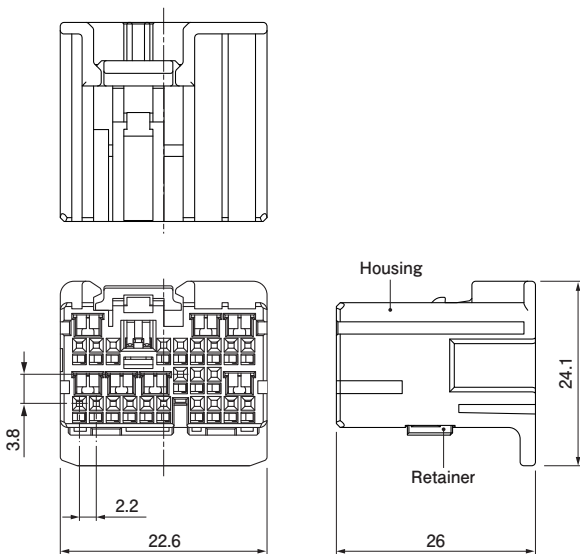
Copper alloy, tin-plated (reflow treatment)

## Female connector

### ●22 circuits



### ●24 circuits



Circuits	Model No.	Q'ty/box
22	TRZPB-22-A-Y	448
24	TRZPB-24-A-Y	392

### Material and Finish

Housing: PBT, yellow

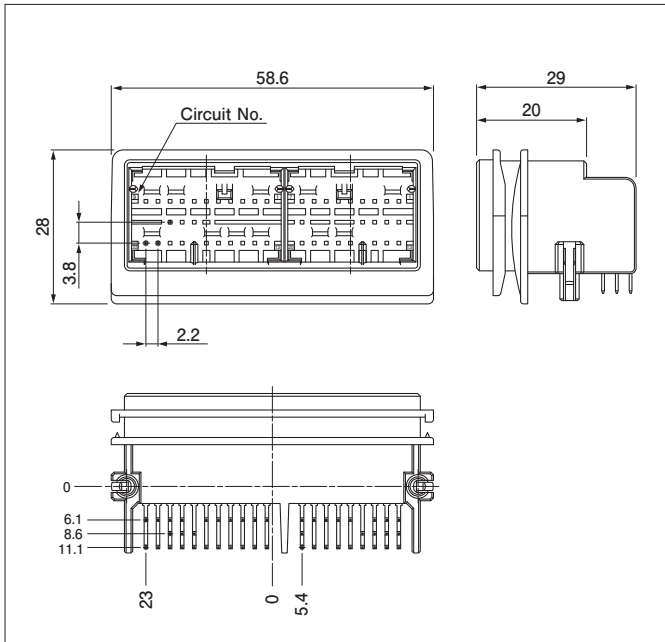
Short terminal: Copper alloy, tin-plated (reflow treatment)

CPA terminal: Copper alloy, nickel-undercoated, Contact area; gold-plated

Retainer : PBT, natural (white)

# TRZ CONNECTOR

## Male connector

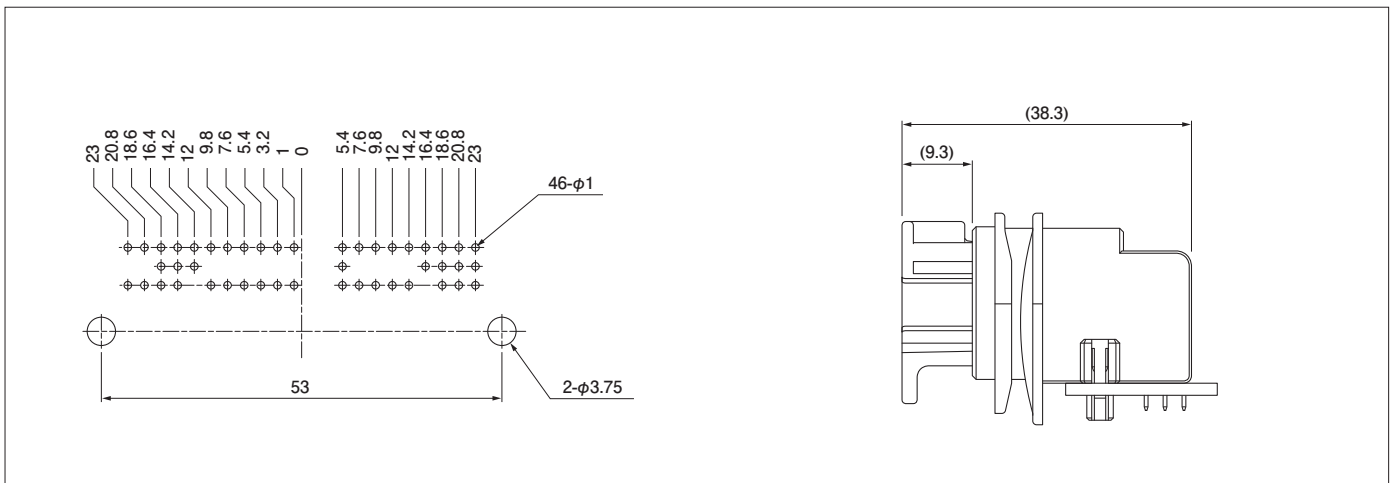


Circuits	Model No.	Q'ty/box
46	S46B-TRZY-D-1B	100

### Material and Finish

Housing: PBT, yellow  
 0.64 Signal pin: Brass, nickel-undercoated, tin-plated (reflow treatment)  
 0.64 CPA pin: Brass, nickel-undercoated, Contact area: gold-plated

## PC board layout, Assembly layout



## Crimping machine, Applicator

Strip terminal	Crimping machine	Crimp applicator MKS-L	
		Dies	Crimp applicator with dies
SNAC3-A021T-M0.64	AP-K2N	MK/SNAC3-A021-064	APLMK SNAC3-A021-064

Note: When crimping operation is conducted using an applicator and die set other than the above, JST cannot guarantee the performance of the terminal.