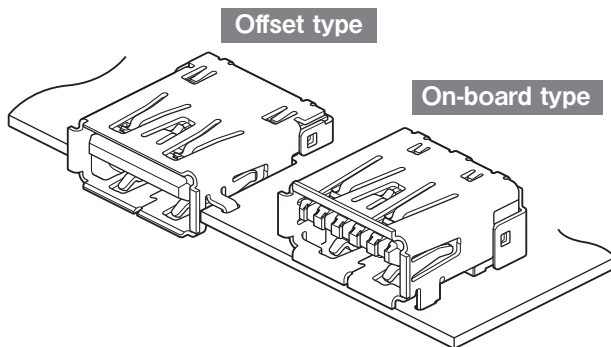




UB3 CONNECTOR

USB (Universal Serial Bus) standard-compliant connector



The UB3 series is a Universal Serial Bus (USB) interface Type A connector receptacle that complies with the USB 3.0 standard.

- Solid shell structure
- Reverse spring on each side of the shell
 - * Improved mechanical reliability in fit, function and form with plug interface as side springs of the shell are positioned in the opposite direction to the main springs in top and bottom positions.
- Halogen-free

■ Specifications

- Current rating: VBUS and GND circuits
(No.1 and No.4 circuits) / 1.8 A AC/DC
Other circuits
(2, 3, 5 to 9 circuits) / 0.25 A AC/DC
- Voltage rating: 30 V AC/DC
- Temperature range: -25°C to +85°C
(including temperature rise in applying electrical current)
- Contact resistance:
Initial value / 30 mΩ max.
After environmental tests / 10 mΩ max.
(variation from initial value)
- Insulation resistance: 100 MΩ min.
- Withstanding voltage:
There shall be no breakdown or flashover while applying 100 VAC for one minute.
- Applicable PC board: Double-sided through-hole PCB
Thickness / On-board type: 1.0 mm, 1.6 mm
Offset type...1.0 mm
- * Please refer to the "Handling Precautions for Terminals and Connectors" on our website (listed in the "Technical Documents" column on the Product Information page) before use.
- * RoHS2 compliance
- * Dimensional unit: mm
- * Contact JST for details.

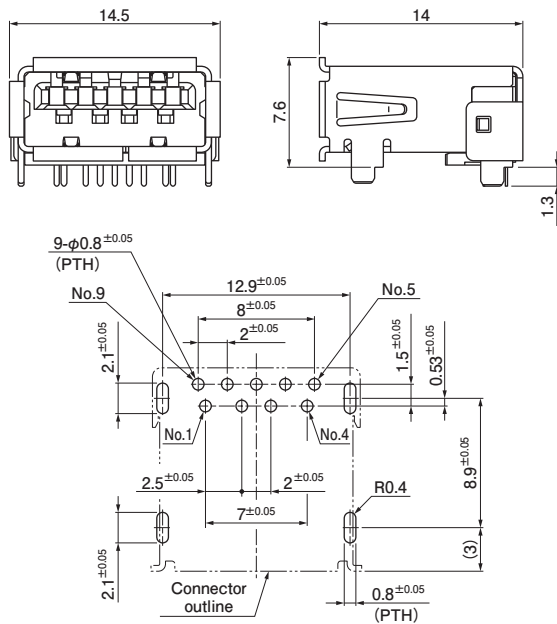
■ Standards

- For information on overseas standard registrations, please refer to the "List of Registered Overseas Standards" on our website (listed in the "Technical Documents" column on the Product Information page).
- * Specifications registered to overseas standards may differ from the general specifications listed above.

Receptacle/ Type A

Normal On-board type (Compatible with a PCB thickness of 1.0 mm)

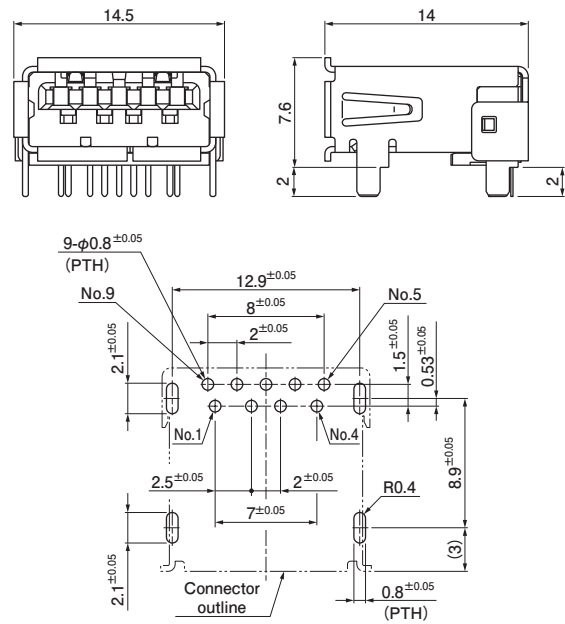
TID No. : 360000071



Q'ty/box: 2,618 pcs

Normal On-board type (Compatible with a PCB thickness of 1.6 mm)

TID No. : 360000071



Q'ty/box: 2,618 pcs

Model No.	Material and Surface finish, etc.	
UB3A-9R-D6C-112 (HF)	Contact A	Copper alloy, gold-plated
	Contact B	
	Housing	LCP, blue
	Shell	Stainless steel, tin-plated

Note: 1. The PC board layout figure shown is viewed from the connector mounting surface.

- Dimensions indicated in the product diagrams and PCB layouts are for reference only.
- For flame retardant grade of resin material used, please refer to the "List of Registered Overseas Standards" on our website (listed in the "Technical Documents" column on the Product Information page).
- Please contact JST for further details.

Model No.	Material and Surface finish, etc.	
UB3A-9R-D6C-414 (HF)	Contact A	Copper alloy, gold-plated
	Contact B	
	Housing	LCP, blue
	Shell	Stainless steel, tin-plated

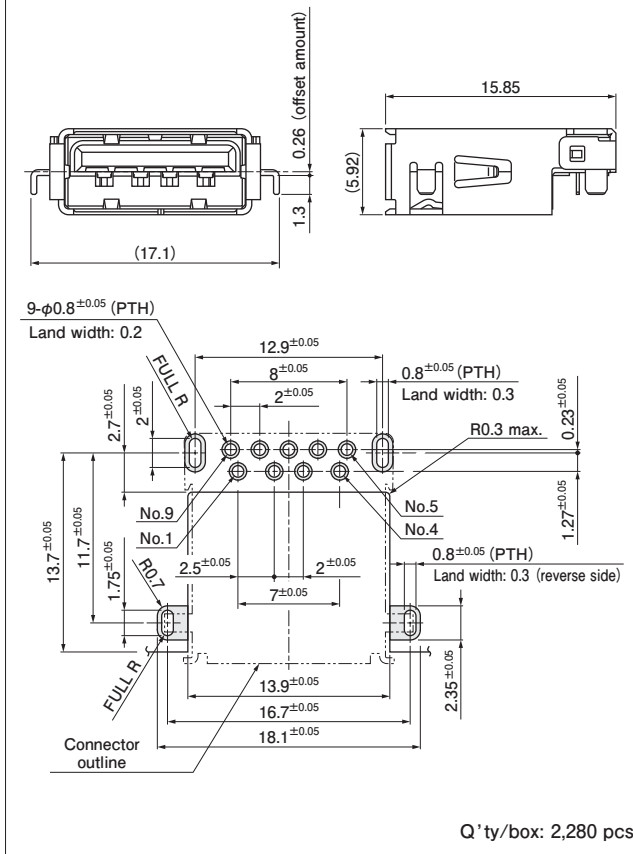
Note: 1. The PC board layout figure shown is viewed from the connector mounting surface.

- Dimensions indicated in the product diagrams and PCB layouts are for reference only.
- For flame retardant grade of resin material used, please refer to the "List of Registered Overseas Standards" on our website (listed in the "Technical Documents" column on the Product Information page).
- Please contact JST for further details.

Receptacle/ Type A

Normal
Offset type
(Compatible with a PCB thickness of 1.0 mm)

TID No. : 360000070



Model No.	Material and Surface finish, etc.	
UB3A-9R-D6C-333 (HF)	Contact A	Copper alloy, gold-plated
	Contact B	
	Housing	PA (Heat resistance), blue
	Shell	Stainless steel, tin-plated

- Note: 1. The PC board layout figure shown is viewed from the connector mounting surface.
 2. Dimensions indicated in the product diagrams and PCB layouts are for reference only.
 3. For flame retardant grade of resin material used, please refer to the "List of Registered Overseas Standards" on our website (listed in the "Technical Documents" column on the Product Information page).
 4. Please contact JST for further details.