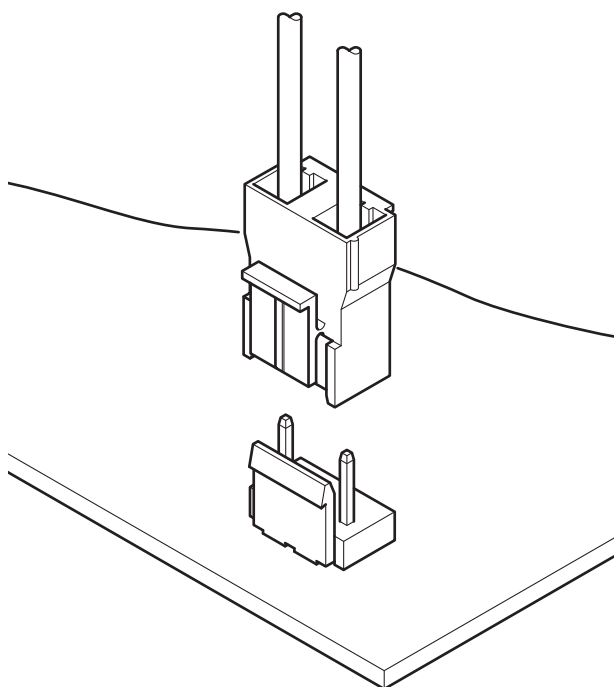


VAJ CONNECTOR

7.92 mm pitch/Disconnectable Crimp style connectors



7.92 mm pitch crimp style, large current carrying capacity connector, that is best suited for various kinds of power supply circuits. Box-shaped contacts offer reliable connection.

- Housing lances
- Box contact
- Secure contact and mounting
- Applicable up to 10 A

Specifications

- Current rating: 10 A AC, DC (AWG #16)
- Voltage rating: 250 V AC, DC
- Temperature range: -25°C to +85°C
(including temperature rise in applying electrical current)
- Contact resistance: Initial value/ 10 mΩ max.
After environmental tests/ 20 mΩ max.
- Insulation resistance: 1,000 MΩ min.
- Withstanding voltage: 1,500 VAC/minute
- Applicable wire: AWG #20 to #16
- Applicable PC board thickness: 1.6 mm

* Refer to "General Instruction and Notice when using Terminals and Connectors" at the end of this catalog.

* Contact JST for details.

* Compliant with RoHS.

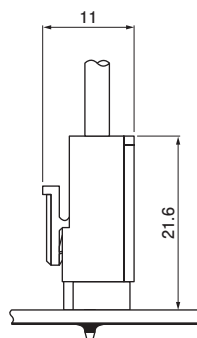
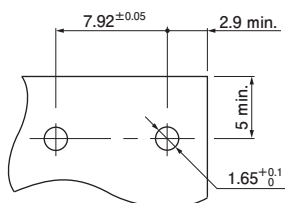
Standards

Ⓜ Recognized E 60389

Ⓢ Certified LR 20812

Ⓡ R9251675

PC board layout and Assembly layout



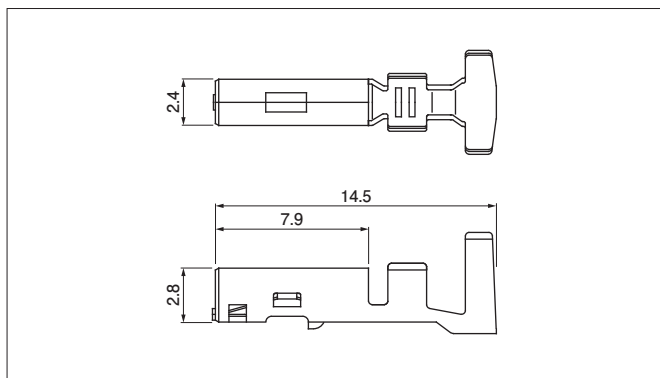
Note: 1. The above figure viewed from the connector mounting side.

2. Tolerances are non-cumulative: ± 0.05 mm for all centers.

3. Hole dimensions differ according to the type of PC board and piercing method. The dimensions above should serve as a guideline. Contact JST for details.

VAJ CONNECTOR

Contact



Model No.	AWG #	Insulation O.D. (mm)	Q'ty/reel
SVT-41T-P1.1	20 to 16	2.7 to 3.9	2,500

Material and Finish

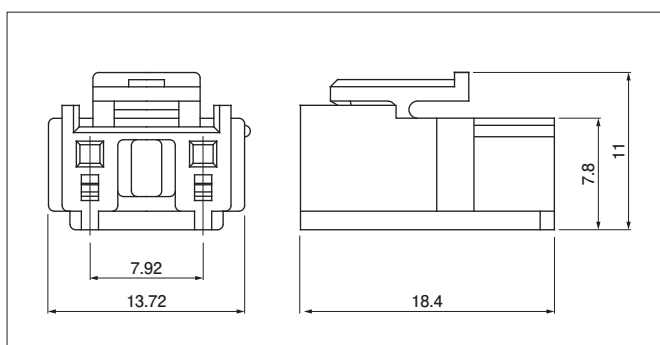
Alloy (phosphor bronze system), tin-plated (reflow treatment)

RoHS compliance

Contact	Crimping machine	Applicator		
		Crimp applicator	Dies	Crimp applicator with dies
SVT-41T-P1.1	AP-K2N	MKS-L	MK/SVT-41-11	APLMK SVT41-11

Note: Contact JST for fully automatic crimping applicator.

Housing



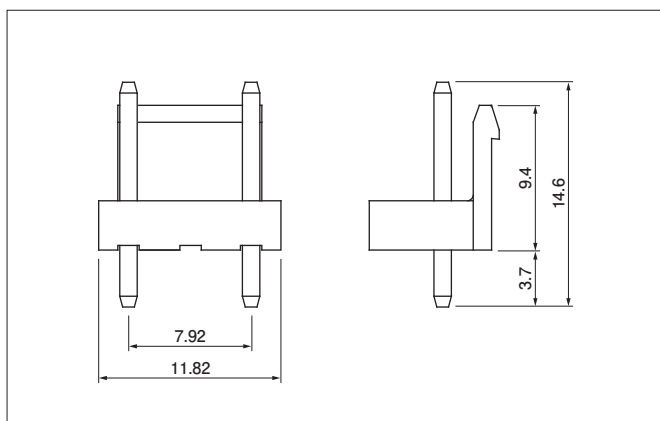
No. of circuits	Model No.	Q'ty/bag
2	VAJR-02VS	1,000

Material

PA 66, UL94V-0, natural (white)

RoHS compliance

Header



No. of circuits	Model No.	Q'ty/box
2	B2P3-VH	1,000

Material and Finish

Post: Brass, copper-undercoated, tin-plated (reflow treatment)
Wafer: PA 66, UL94V-0, natural (white)

RoHS compliance This product displays (LF)(SN) on a label.

Model number allocation

Contact

S VT - 41 T - P 1.1

Form: S··Strip form B··Loose piece				
Series name				
Applicable wire range: AWG #20 to #16				
Surface finish: T··Tin-plated (reflow treatment)				
Material: P··Phosphor bronze				
Terminal size				

Housing

VAJ R - 02 VS

Series name				
Part name: Receptacle				
No. of circuits: 2				
Flammability: V··UL94V-0				
Color: S··Natural (White)				

Header

B 2 P 3 - VH

Shape of assembled product: B··Header				
No. of circuits: 2				
Indicates omitting center pin of 3-circuit product.				
Series name				