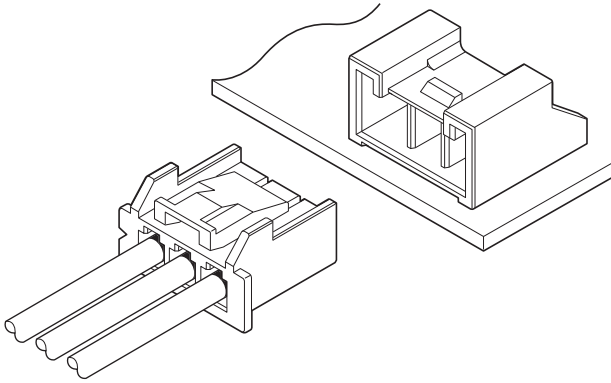


VU CONNECTOR

3.96 mm pitch/Wire-to-Board connectors/Crimp style and Mating style



VU connector is small type 3.96 mm pitch PC board connector for large current and has the high reliability in a power supply circuit, considering the fully shrouded connector header structure against "vibrating connector" and "distorted extraction".

■ Features

• Secure lock mechanism

The housing has a locking device to securely hold the header, preventing accidental disconnection, because of external force that might result from the routing of wires or of vibration, inverse insertion and mating with incorrect circuit.

• Header

Header provides the longer creepage distance and countermeasure for distorted extraction of connector.

• Flanged press pin

Header pin is the flanged press pin, preventing accidental removal of the pins due to distorted extraction of connector.

■ Standards

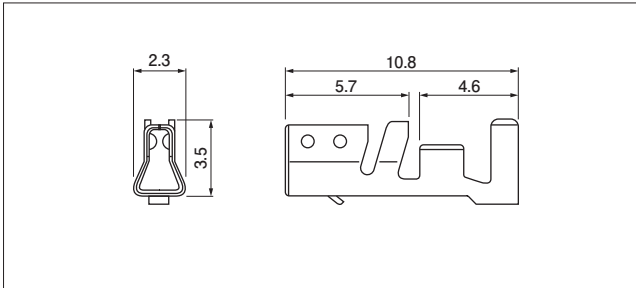
■ :Recognized E60389

■ Specifications

- Current rating: 5 A AC/DC (AWG #18)
 - Voltage rating: 250 V AC/DC
 - Temperature range: -25°C to +85°C
(including temperature rise in applying electrical current)
 - Contact resistance:
 - Initial value/ 10 mΩ max.
 - After environmental tests/ 20 mΩ max.
 - Insulation resistance: 1,000 MΩ min.
 - Withstanding voltage:
 - There shall be no breakdown or flashover while applying 1,500 VAC for one minute.
 - Applicable wire range:
 - Conductor size/ AWG #22 to AWG #18
 - Insulation O.D./ ϕ 1.7 mm to ϕ 3.0 mm
 - Applicable PC board thickness: 1.6 mm
- * Please refer to the "Handling Precautions for Terminals and Connectors" on our website (listed in the "Technical Documents" column on the Product Information page) before use.
- * RoHS2 compliance
- * Dimensional unit: mm
- * Contact JST for details.

VU CONNECTOR

Contact



Model No.	Applicable wire range		Q'ty/ reel
	Conductor size AWG (mm ²)	Insulation O.D. (mm)	
SVU-21T-P0.6	#22 to #18 (0.33 to 0.83)	1.7 to 3.0	4,000

Material and Surface finish, etc.

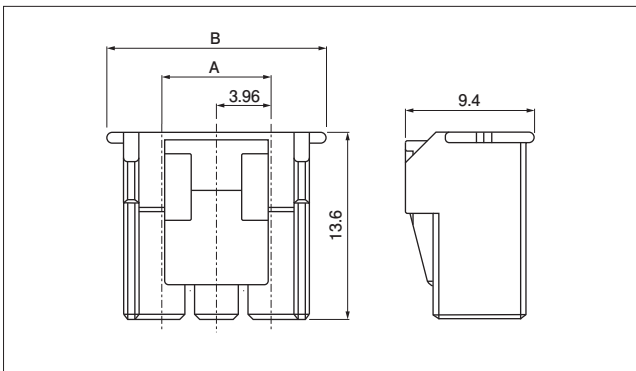
Phosphor bronze, tin-plated

Crimping machine

Contact	Crimping machine	Applicator	Crimp applicator with dies
SVU-21T-P0.6	AP-K2N	MKS-L	APLMK SVU21-06

Note: Contact JST for fully automatic crimping applicator.

Housing



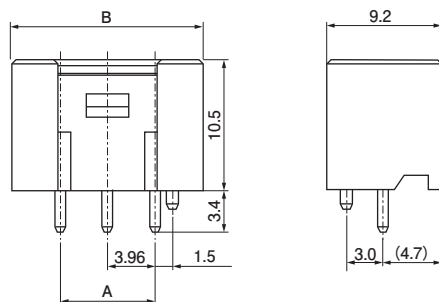
No. of circuits	Model No.	Dimensions (mm)		Q'ty/bag
		A	B	
3	VURP-03V-S	7.92	15.84	500

Material and Surface finish, etc.

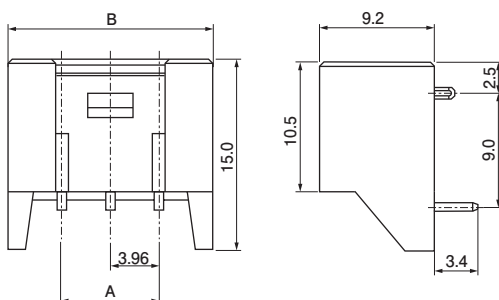
PA 66, UL94V-0, natural (white)

Header

Top entry type



Side entry type



No. of circuits	Model No.		Dimensions (mm)		Q'ty/box	
	Top entry type	Side entry type	A	B	Top entry type	Side entry type
3	B03B-VUSS-1	S03B-VUSS-1	7.92	15.84	200	200

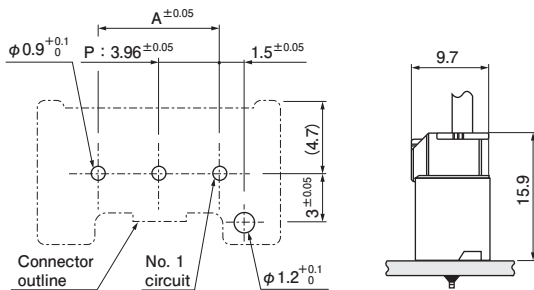
Material and Surface finish, etc.

Pin: Copper alloy, copper-underplated, tin-plated
Wafer: PBT (Glass-filled), UL94V-0, natural (white)

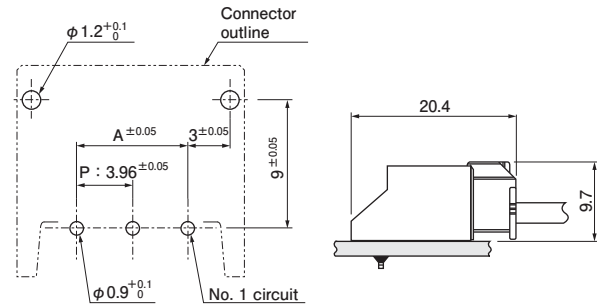
Note: This product displays (LF)(SN) on a label.

PC board layout and Assembly layout

Top entry type



Side entry type



- Note: 1. The PC board layout figure shown is viewed from the connector mounting surface.
 2. Dimension A: See "Header" section on page 2.
 3. Tolerance for the PCB hole pitch shall be ± 0.05 and shall not accumulate.
 4. Hole dimensions differ depending on the type of PCB and PCB drilling method.
 The above dimensions are reference values. Please contact JST for details.

Model number allocation

Contact

S VU - 21 T - P 0.6

Supply form: Strip form	S
Series name	VU - 21
Applicable wire range: AWG #22 to AWG #18	T
Surface finish: Tin-plated	P
Material: Phosphor bronze	0.6
Applicable pin size	

Housing

VU RP - 03 V - S

Series name	VU
Type: Plug (Retainer compatible)	RP - 03
No. of circuits	V
Flammability: UL94V-0	S
Color: Natural (White)	

Header

B 03 B - VU S S - 1

Header type: B...Top entry type S...Side entry type	B
No. of circuits	03
Assembly product	B - VU
Series name	S S
Color: Natural (White)	
Clinched (Kinked)/ Not clinched: Straight	
Polarizing boss: With boss	1