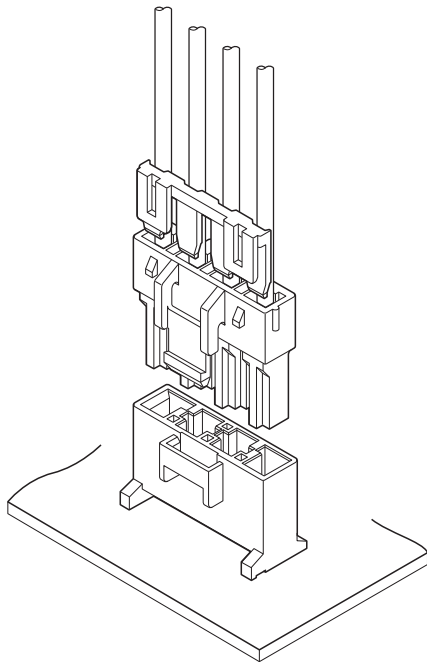


# VYH CONNECTOR

6.5 mm pitch/Wire-to-Board connectors/Crimp style and Mating style



This is a 6.5 mm pitch wire-to-board connector designed for high-current applications.

Retainers are recommended to prevent incomplete insertion or accidental disconnection of contacts, providing a secure and reliable connection for high-current circuits.

- Capable of carrying a maximum current of 15 A.
- Equipped with a keying feature to prevent misinsertion.
- Housing lance system
- Retainer compatible

## ■ Specifications

- Current rating: 15 A AC/DC (2 circuits/ AWG #14)

\* The following table shows the rated current when applying current for all circuits in each combination of the number of circuits and the wire to be used.

No. of circuits	Wire size (AWG)							Unit: A
	#14	#16	#18	#20	#22	#24	#26	
2	15	10	7	5	4	3	2	
3	14	9	6	4	4	3	2	
4	13	9	6	4	4	3	2	
6	12	8	5	3	3	2	2	

Note: Do not branch in parallel current which exceeds the rated current. If branched in parallel, current imbalance or other problems may occur. If it is absolutely necessary to branch such a large current in parallel, design the circuits without causing any imbalance and provide extra margin for each circuit.

- Voltage rating: 300 V AC/DC
- Temperature range: -25°C to +85°C  
(including temperature rise in applying electrical current)
- Contact resistance:
  - Initial value/ 10 mΩ max.
  - After environmental tests/ 20 mΩ max.
- Insulation resistance: 1,000 MΩ min.
- Withstanding voltage:
  - There shall be no breakdown or flashover while applying 1,500 VAC for one minute.
- Applicable wire range:
  - Conductor size/ AWG #26 to AWG #14
  - Insulation O.D./  $\phi$  1.3 mm to  $\phi$  3.6 mm
- Applicable PC board thickness: 1.6 mm
- \* Please refer to the "Handling Precautions for Terminals and Connectors" on our website (listed in the "Technical Documents" column on the Product Information page) before use.
- \* RoHS2 compliance
- \* Dimensional unit: mm
- \* Contact JST for details.

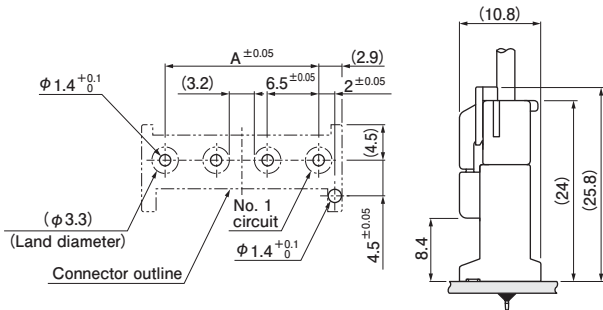
## ■ Standards

For information on overseas standard registrations, please refer to the "List of Registered Overseas Standards" on our website (listed in the "Technical Documents" column on the Product Information page).

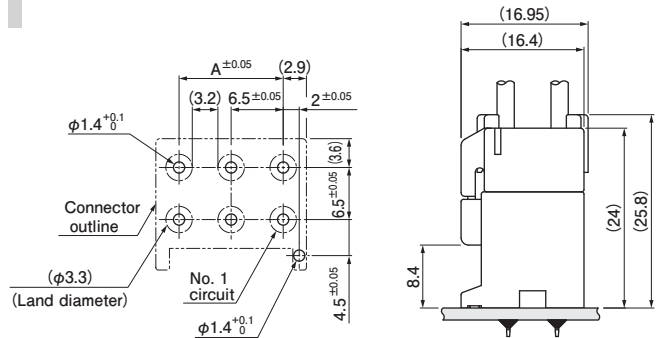
- \* Specifications registered to overseas standards may differ from the general specifications listed above.

## PC board layout and Assembly layout

### Single-row type



### Dual-row type

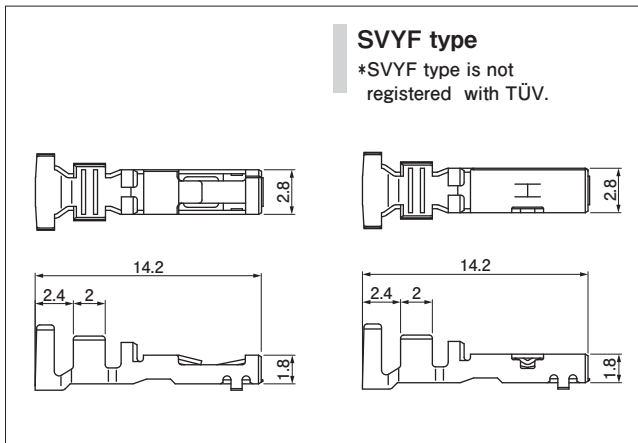


- Note: 1. The PC board layout figure shown is viewed from the connector mounting surface.  
 2. Dimensions A: See "Header" section on page 3.  
 3. Tolerance for the PCB hole pitch shall be  $\pm 0.05$ , and shall not accumulate more than  $\pm 0.05$ .  
 4. Hole dimensions differ depending on the type of PCB and PCB drilling method.  
 The above dimensions are for reference only.  
 Please contact JST for further details.

## Socket contact

### SVYF type

\*SVYF type is not registered with TÜV.



Model No.	Applicable wire range		Q'ty/reel
	Conductor size AWG (mm <sup>2</sup> )	Insulation O.D. (mm)	
SYF-01T-P0.5A	#26 to #20 (0.13 to 0.5)	1.3 to 2.5	4,000
SYF-41T-P0.5A	#20 to #16 (0.5 to 1.25)	2.0 to 3.4	4,000
SYF-61T-P0.5A	#18 to #14 (0.75 to 2.0)	2.1 to 3.4	2,000
*SVYF-41T-P0.5A-13.5	#20 to #16 (0.5 to 1.25)	2.0 to 3.4	3,000
*SVYF-61T-P0.5A	#18 to #14 (0.75 to 2.0)	2.1 to 3.6	2,000

#### Material and Surface finish, etc

Copper alloy, tin-plated

- Note: 1. The SVYF type is a dedicated crimp contact for VYH connectors, specifically developed to enhance resistance to stress due to prying and torsion.  
 2. Retainers cannot be used with AWG #16 crimped wire using size 41 and 61 barrel contacts.

### Crimping machine

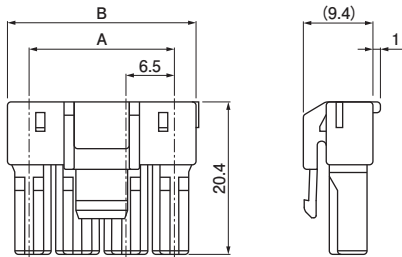
Contact	Crimping machine	Applicator	Crimp applicator with dies
SYF-01T-P0.5A	AP-K2N	MKS-L	APLMK SYF/M01-05
SYF-41T-P0.5A			APLMK SYF/M41-05
SYF-61T-P0.5A			APLMK SYF/M61-05
SVYF-41T-P0.5A-13.5			APLMK SVYF41-05-13.5
SVYF-61T-P0.5A			APLMK SYF/M61-05

Note: Contact JST for fully automatic crimping applicator.

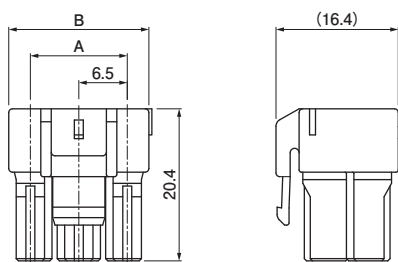
# VYH CONNECTOR

## Plug housing

### Single-row type



### Dual-row type



Type	No. of circuits	Model No.	Dimensions (mm)		Q'ty/bag
			A	B	
Single-row type	2	VYHP-02V	6.5	12.3	400
	3	VYHP-03V	13.0	18.8	300
	4	VYHP-04V	19.5	25.3	200
Dual-row type	4	VYHP-04VD	6.5	12.3	200
	6	VYHP-06VD	13.0	18.8	150

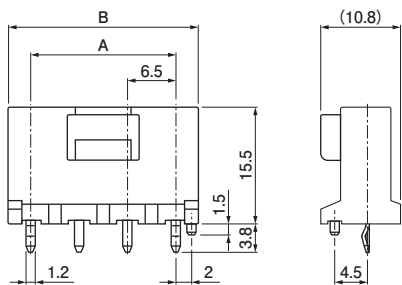
Material and Surface finish, etc

PA 66, natural (white)

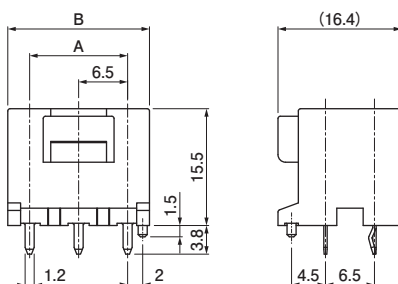
Note: For flame retardant grade of resin material used, please refer to the "List of Registered Overseas Standards" on our website (listed in the "Technical Documents" column on the Product Information page).

## Header

### Single-row type



### Dual-row type



Type	No. of circuits	Model No.	Dimensions (mm)		Q'ty/box
			A	B	
Single-row type	2	B02B-VYHSK-1	6.5	12.3	600
	3	B03B-VYHSK-1	13.0	18.8	360
	4	B04B-VYHSK-1	19.5	25.3	300
Dual-row type	4	B04B-VYHSK-D-1	6.5	12.3	300
	6	B06B-VYHSK-D-1	13.0	18.8	180

Material and Surface finish, etc

Post: Copper alloy, copper-undercoated, tin-plated  
Base housing: PBT (Glass-filled), natural (white)

Note: 1. This product displays (LF) (SN) on a label.  
2. For flame retardant grade of resin material used, please refer to the "List of Registered Overseas Standards" on our website (listed in the "Technical Documents" column on the Product Information page).

Type	No. of circuits	Model No.	Dimensions (mm)		Q'ty/box
			A	B	
Single-row type	2	B02B-VYHSK-M-1	6.5	12.3	600
	3	B03B-VYHSK-M-1	13.0	18.8	360
	4	B04B-VYHSK-M-1	19.5	25.3	300
Dual-row type	4	B04B-VYHSK-DM-1	6.5	12.3	300
	6	B06B-VYHSK-DM-1	13.0	18.8	180

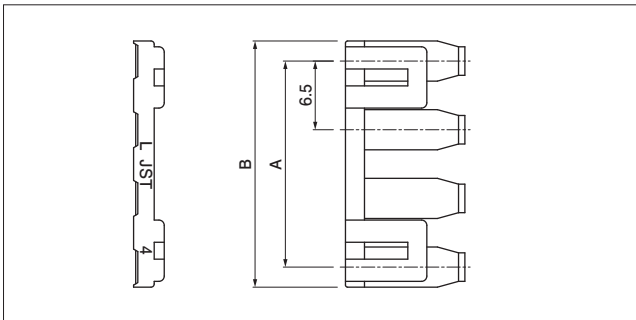
Material and Surface finish, etc

Post: Copper alloy, copper-undercoated, tin-plated  
Base housing: PA 66 (Glass-filled), natural (ivory)

Note: 1. This product displays (LF) (SN) on a label.  
2. For flame retardant grade of resin material used, please refer to the "List of Registered Overseas Standards" on our website (listed in the "Technical Documents" column on the Product Information page).

# VYH CONNECTOR

## Retainer



No. of circuits	Model No.	Dimensions (mm)		Q'ty/bag
		A	B	
2	VYHS-02V-S	6.5	10.3	4,000
3	VYHS-03V-S	13.0	16.8	3,000
4	VYHS-04V-S	19.5	23.3	2,000

Material and Surface finish, etc

PA 66 (Glass-filled), natural (ivory)

Note: For flame retardant grade of resin material used, please refer to the "List of Registered Overseas Standards" on our website (listed in the "Technical Documents" column on the Product Information page).

## Model number allocation

### Socket contact

**S Y F - 01 T - P 0.5 A**

Supply form: Strip form

Series name

Type: Socket

Applicable wire range: 01...AWG #26 to #20  
41...AWG #20 to #16  
61...AWG #18 to #14

Surface finish: Tin-plated

Material: Copper alloy

Applicable post size

Sub model number

### Socket contact (SVYF type)

**S VY F - 41 T - P 0.5 A -13.5**

Supply form: Strip form

Series name

Type: Socket

Applicable wire range:  
41...AWG #20 to #16  
61...AWG #18 to #14

Surface finish: Tin-plated

Material: Copper alloy

Applicable post size

Sub model number

Sub model number

### Plug housing

**VYH P - 02 V -**

Series name

Type: Plug

No. of circuits

Sub model number

Array: No indication...Single-row, D...Dual-row

Color: Natural (White)

### Header

**B 02 B - VYHS K -**

Header type: Top entry type

No. of circuits

Assembly product

Series name

Color: Natural  
(PBT: White, PA: Ivory)

Clinched (Kinked) / Not clinched: Clinched

Array: No indication...Single-row, D...Dual-row

Resin material: No indication...PBT (Glass-filled)  
M...PA 66 (Glass-filled)

Polarizing boss: No indication...Without boss, 1...With boss

### Retainer

**VYH S - 02 V - S**

Series name

Type: Retainer

No. of circuits

Sub model number

Color: Natural (Ivory)