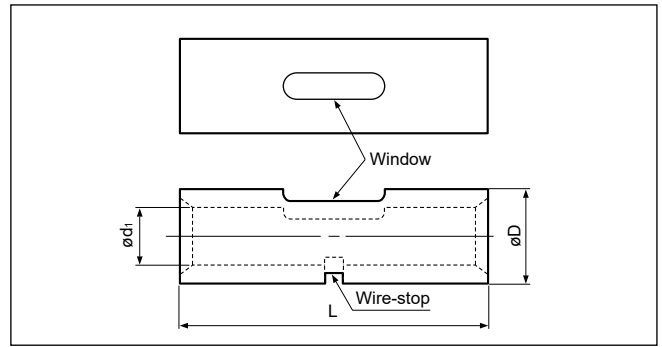


Solderless splices

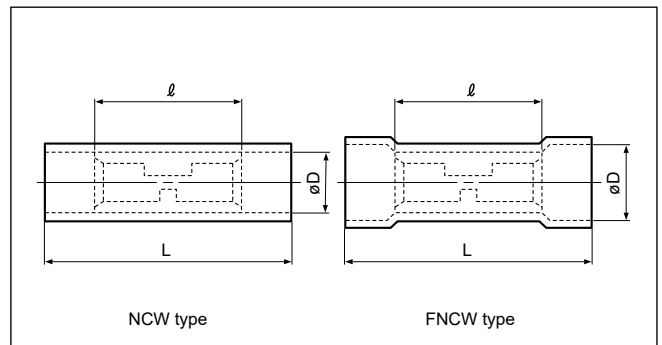
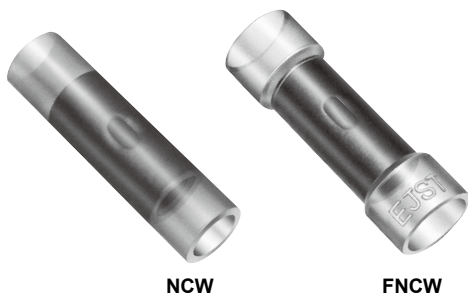
# WINDOW TYPE BUTT



## Non-insulated

Applicable Wire AWG#(mm <sup>2</sup> )	Part No.	Standard	Dimensions mm (in.)			Tool No.										Qty/box							
			L	øD	ød1	YHT-2214M	YHT-2210	YHT-8S	YA-1	YA-2	YA-4	YA-5	YPT-60N	YPT-150-1	E-4, YF-1		YET-60-1	YET-150-2	YET-300-1	E-4, YF-1	YET-300N		
22 to 16 (0.25 to 1.65)	CW-1.25		14.7 (.579)	3.3 (.130)	1.7 (.067)	o	o		o	o	o												1,000
16 to 14 (1.04 to 2.63)	CW-2		14.7 (.579)	4.1 (.161)	2.3 (.091)	o	o		o	o	o												
12 to 10 (2.63 to 6.64)	CW-5.5		14.7 (.579)	5.5 (.217)	3.4 (.134)		o		o	o	o												
8 (6.64 to 10.52)	CW-8		21.0 (.827)	7.1 (.280)	4.5 (.177)			o		o	o	o	o	o	o	o	o	o	o	o	o	o	500
6 (10.52 to 16.78)	CW-14		26.0(1.024)	9.0 (.354)	5.8 (.228)						o	o	o	o	o	o	o	o	o	o	o	o	200
4 (16.78 to 26.66)	CW-22		29.0(1.142)	11.4 (.449)	7.7 (.303)							o	o	o	o	o	o	o	o	o	o	o	100
2 (26.66 to 42.42)	CW-38		32.0(1.266)	13.3 (.524)	9.4 (.370)							o	o	o	o	o	o	o	o	o	o	o	
1/0 (42.42 to 60.57)	CW-60		36.0(1.417)	15.4 (.606)	11.4 (.449)							o	o	o	o	o	o	o	o	o	o	o	50
2/0 (60.57 to 76.28)	CW-70		37.0(1.457)	17.5 (.689)	13.3 (.524)								o	o	o	o	o	o	o	o	o	o	
3/0 (76.28 to 96.3)	CW-80		38.0(1.496)	19.4 (.764)	14.5 (.571)								o	o	o	o	o	o	o	o	o	o	25
4/0 (96.3 to 117.2)	CW-100		38.0(1.496)	22.0 (.866)	16.4 (.646)								o	o	o	o	o	o	o	o	o	o	
250 to 300MCM (117.2 to 152.05)	CW-150		54.0(2.126)	26.5(1.043)	19.5 (.768)								o	o	o	o	o	o	o	o	o	o	20
350MCM (152.05 to 192.6)	CW-180		57.0(2.244)	28.5(1.122)	21.0 (.827)															o	o	o	
400MCM (192.6 to 242.27)	CW-200		63.0(2.480)	32.5(1.280)	24.0 (.945)															o	o	o	
600 to 650MCM (242.27 to 325)	CW-325		72.0(2.835)	37.0(1.457)	28.0(1.102)															o	o	o	10

Note: 1) Delivery lead times may vary depending on the product. Contact JST for details.



## Nylon-insulated

Applicable Wire AWG#(mm <sup>2</sup> )	Part No.	Standard	Dimensions mm (in.)			Color	Tool No.						Qty/box										
			L	ℓ	ø D		YNT-2216	YNT-1614	YNT-1210S	YA-1	YA-2	YA-4											
22 to 16 *(0.25 to 1.65)	NCW-1.25		22.7 (.894)	14.7 (.579)	3.2 (.126)	Red (Clear)	o				o	o	o										1,000
	FNCW-1.25				4.0 (.157)																		
16 to 14 (1.04 to 2.63)	NCW-2		22.7 (.894)	14.7 (.579)	3.9 (.154)	Blue (Clear)		o			o	o	o										1,000
	FNCW-2				4.5 (.177)																		500
12 to 10 (2.63 to 6.64)	NCW-5.5		26.7(1.051)	14.7 (.579)	5.4 (.213)	Yellow (Clear)			o														500
	FNCW-5.5				6.8 (.268)																		200

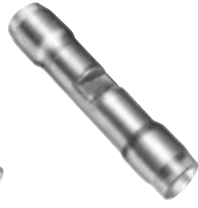
Note: 1) \*The crimping will be more secure if the total cross-sectional area of the wire is at least 0.5 mm<sup>2</sup>.  
 Examples : If the cross-sectional area of the wire is 0.3 mm<sup>2</sup>, fold the wire in two when crimping the terminal.  
 If the cross-sectional area of the wire is 0.5 mm<sup>2</sup>, crimp the terminal onto the wire as it is.  
 2) The insulation is colored transparent nylon so that the wire inside the sleeve is visible.  
 3) Delivery lead times may vary depending on the product. Contact JST for details.

Solderless splices

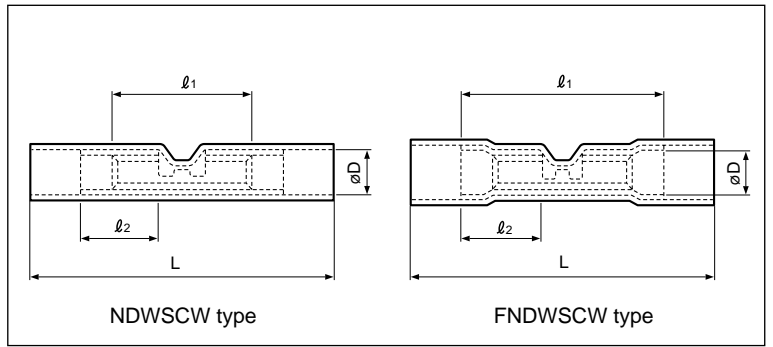
# WINDOW TYPE BUTT



NDWSCW



FNDWSCW



## Nylon-insulated with copper sleeve

Applicable Wire AWG# (mm <sup>2</sup> )	Part No.	Standard	Dimensions mm (in.)				Color	Tool No.						Qty/box
			L	$l_1$	$\phi D$	$l_2$		YNT-2216	YNT-1614	YNT-1210S	YA-1	YA-2	YA-4	
22 to 16 *(0.25 to 1.65)	NDWSCW-1.25		31.5(1.240)	14.6 (.575)	3.5 (.138)	8.3 (.327)	Red (Clear)	0			0	0	0	1,000
	FNDWSCW-1.25		31.0(1.220)	14.6 (.575)	4.0 (.157)	12.2 (.480)		0			0	0	0	
16 to 14 (1.04 to 2.63)	NDWSCW-2		31.5(1.240)	14.6 (.575)	4.1 (.161)	8.3 (.327)	Blue (Clear)		0		0	0	0	1,000
	FNDWSCW-2		31.0(1.220)	14.6 (.575)	4.7 (.185)	12.2 (.480)					0	0	0	500
12 to 10 (2.63 to 6.64)	NDWSCW-5.5		41.1(1.618)	19.5 (.768)	5.7 (.224)	12.0 (.472)	Yellow (Clear)			0			0	500

Note:1) These products have a butted seam.

2) \*The crimping will be more secure if the total cross-sectional area of the wire is at least 0.5 mm<sup>2</sup>.

Examples: If the cross-sectional area of the wire is 0.3 mm<sup>2</sup>, fold the wire in two when crimping the terminal.

If the cross-sectional area of the wire is 0.5 mm<sup>2</sup>, crimp the terminal onto the wire as it is.

3) Delivery lead times may vary depending on the product. Contact JST for details.