

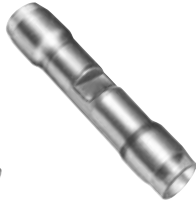


Solderless splices

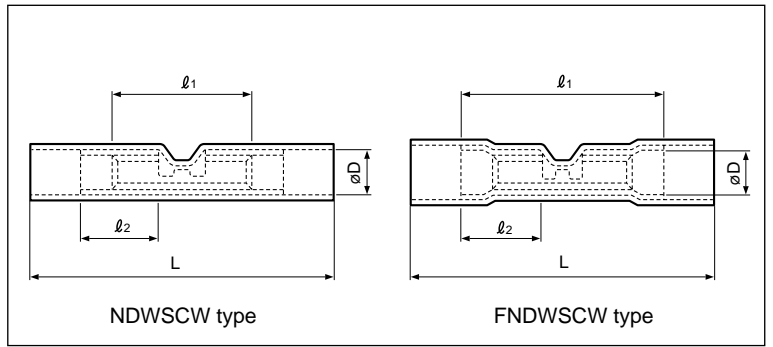
# WINDOW TYPE BUTT



NDWSCW



FNDWSCW



## Nylon-insulated with copper sleeve

Applicable Wire AWG# (mm <sup>2</sup> )	Part No.	Standard	Dimensions mm (in.)				Color	Tool No.						Qty/box	
			L	$l_1$	$\phi D$	$l_2$		YNT-2216	YNT-1614	YNT-1210S	YA-1	YA-2	YA-4		BCT-0514L
22 to 16 *(0.25 to 1.65)	NDWSCW-1.25		31.5(1.240)	14.6 (.575)	3.5 (.138)	8.3 (.327)	Red (Clear)	0			0	0	0	0	1,000
	FNDWSCW-1.25		31.0(1.220)	14.6 (.575)	4.0 (.157)	12.2 (.480)		0			0	0	0	0	
16 to 14 (1.04 to 2.63)	NDWSCW-2		31.5(1.240)	14.6 (.575)	4.1 (.161)	8.3 (.327)	Blue (Clear)		0		0	0	0	0	1,000
	FNDWSCW-2		31.0(1.220)	14.6 (.575)	4.7 (.185)	12.2 (.480)					0	0	0	0	
12 to 10 (2.63 to 6.64)	NDWSCW-5.5		41.1(1.618)	19.5 (.768)	5.7 (.224)	12.0 (.472)	Yellow (Clear)			0			0	0	500

Note:1) These products have a butted seam.

2) \*The crimping will be more secure if the total cross-sectional area of the wire is at least 0.5 mm<sup>2</sup>.

Examples: If the cross-sectional area of the wire is 0.3 mm<sup>2</sup>, fold the wire in two when crimping the terminal.

If the cross-sectional area of the wire is 0.5 mm<sup>2</sup>, crimp the terminal onto the wire as it is.

3) Delivery lead times may vary depending on the product. Contact JST for details.