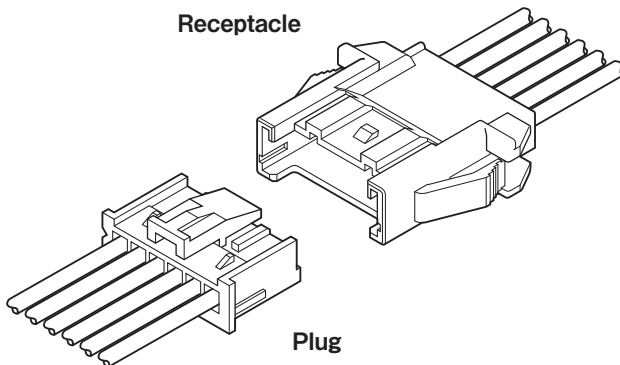


XA CONNECTOR

<Meets glow wire testing standards>

2.5 mm pitch/Wire-to-Wire connectors/Crimp style and Mating style



This is a 2.5 mm pitch wire-to-wire connector which meets glow wire testing requirements. Two types are available: free hanging and panel mount. The plug can be used interchangeably with the XA wire-to-board connector.

- Meets glow wire testing standards
- Two types are available: free hanging and panel mount
- The plug is compatible with the XA wire-to-board connector
- Inner contact lance design
 - * Applicable to pin contacts
- Retainer compatible
- Secure lock mechanism

■ Specifications

- Current rating: 3 A AC/DC (AWG #22, AWG #20)
- Voltage rating: 250 V AC/DC
- Temperature range: -25°C to +105°C
(including temperature rise in applying electrical current)
- Contact resistance:
 - Initial value/ 10 mΩ max.
 - After environmental tests/ 20 mΩ max.
- Insulation resistance: Initial value/ 500 MΩ min.
- Withstanding voltage:
 - There shall be no breakdown or flashover while applying 1,500 VAC for one minute.
- Applicable wire range:
 - Conductor size/ AWG #28 to AWG #20
 - Insulation O.D. / ϕ 0.8 mm to ϕ 1.9 mm
- * Please refer to the "Handling Precautions for Terminals and Connectors" on our website (listed in the "Technical Documents" column on the Product Information page) before use.
- * RoHS2 compliance
- * Dimensional unit: mm
- * Contact JST for Halogen-free product, etc.

■ Standards

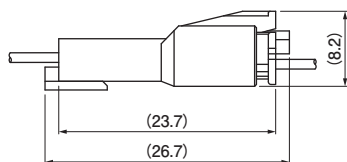
For information on overseas standard registrations, please refer to the "List of Registered Overseas Standards" on our website (listed in the "Technical Documents" column on the Product Information page).

- * Specifications registered to overseas standards may differ from the general specifications listed above.

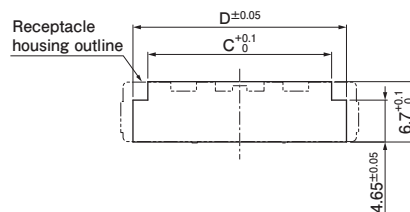
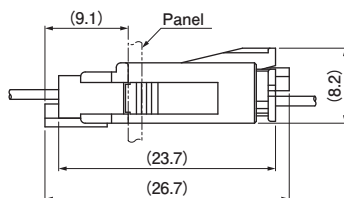
XA CONNECTOR <Meets glow wire testing standards>

Assembly layout and Panel layout

Without panel locks
(Free hanging type)



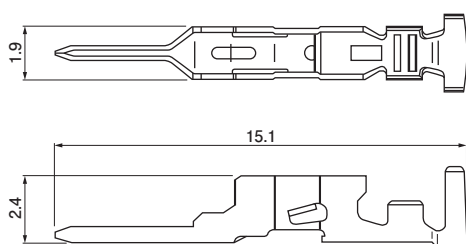
With panel locks
(Panel mount type)



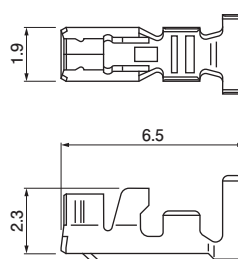
Note: Dimensions C and D:
See "Receptacle housing (for pin contact)"
section on page 3.

Contact

Pin contact



Socket contact



Model No.		Applicable wire range		Q'ty/reel	
Pin contact	Socket contact	Conductor size AWG (mm ²)	Insulation O.D. (mm)	Pin contact	Socket contact
SXAM-001T-P0.6	SXA-001T-P0.6	#28 to #22 (0.08 to 0.33)	0.8 to 1.9	7,000	8,000
SXAM-01T-P0.6	SXA-01T-P0.6	#24 to #20 (0.22 to 0.5)	1.5 to 1.9	7,000	8,000

Material and Surface finish, etc.

Copper alloy, tin-plated

Note: Contact JST for gold-plated products.

Crimping machine

Contact	Crimping machine	Applicator	Crimp applicator with dies
SXAM-001T-P0.6	AP-K2N	MKS-L	APLMK SXAM/XA001-06
SXAM-01T-P0.6			APLMK SXAM/XA01-06

Note: Contact JST for fully automatic crimping applicator.

Crimping machine

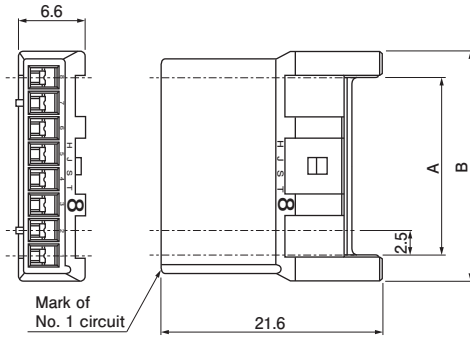
Contact	Crimping machine	Applicator	Crimp applicator with dies
SXA-001T-P0.6	AP-K2N	MKS-L	APLMK SXAM/XA001-06
SXA-01T-P0.6			APLMK SXAM/XA01-06

Note: Contact JST for fully automatic crimping applicator.

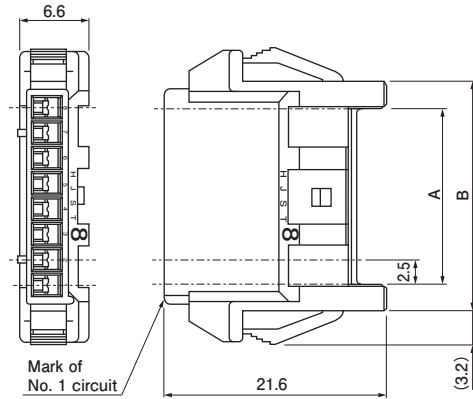
XA CONNECTOR <Meets glow wire testing standards>

Receptacle housing (for pin contact)

Without panel locks
(Free hanging type)



With panel locks
(Panel mount type)



No. of circuits	Model No.		Dimensions (mm)				Q'ty/bag
	Without panel locks	With panel locks	A	B	C	D	
2	XARR-02VF-WGT4	XARR-02V-WGT4	2.5	7.5	7.9	11.2	1,000
3	XARR-03VF-WGT4	XARR-03V-WGT4	5.0	10.0	10.4	13.7	1,000
4	XARR-04VF-WGT4	XARR-04V-WGT4	7.5	12.5	12.9	16.2	1,000
5	XARR-05VF-WGT4	XARR-05V-WGT4	10.0	15.0	15.4	18.7	1,000
6	XARR-06VF-WGT4	XARR-06V-WGT4	12.5	17.5	17.9	21.2	500
7	—	XARR-07V-WGT4	15.0	20.0	20.4	23.7	500
8	XARR-08VF-WGT4	XARR-08V-WGT4	17.5	22.5	22.9	26.2	500
9	XARR-09VF-WGT4	XARR-09V-WGT4	20.0	25.0	25.4	28.7	500
10	XARR-10VF-WGT4	XARR-10V-WGT4	22.5	27.5	27.9	31.2	500
11	—	XARR-11V-WGT4	25.0	30.0	30.4	33.7	500
12	XARR-12VF-WGT4	XARR-12V-WGT4	27.5	32.5	32.9	36.2	500
13	—	XARR-13V-WGT4	30.0	35.0	35.4	38.7	500
14	—	XARR-14V-WGT4	32.5	37.5	37.9	41.2	500
15	—	XARR-15V-WGT4	35.0	40.0	40.4	43.7	500

Material and Surface finish, etc.

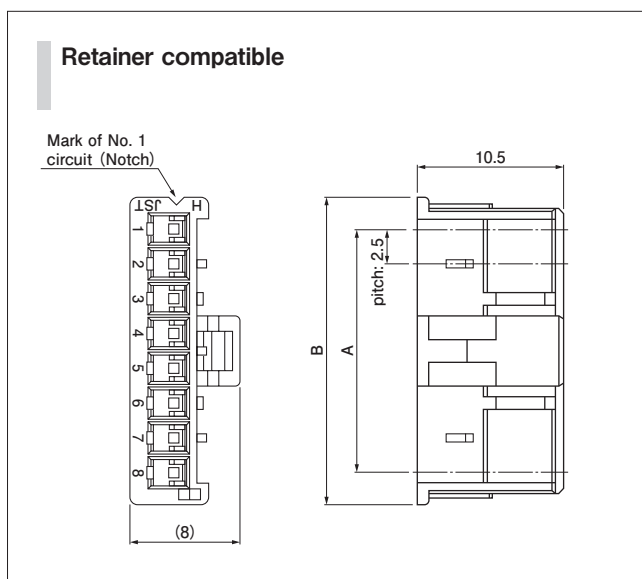
PA, natural (white)

Note: 1. Dimensions C and D: See "Panel layout" section on page 2.

2. For flame retardant grade of resin material used, please refer to the "List of Registered Overseas Standards" on our website (listed in the "Technical Documents" column on the Product Information page).

XA CONNECTOR <Meets glow wire testing standards>

Plug housing (for socket contact)



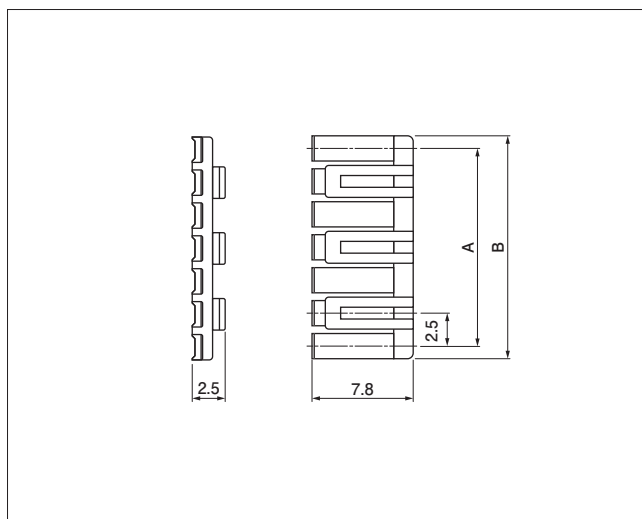
No. of circuits	Model No.	Dimensions (mm)		Q'ty/bag
		A	B	
2	XARP-02V-WGT4	2.5	7.3	1,000
3	XARP-03V-WGT4	5.0	9.8	1,000
4	XARP-04V-WGT4	7.5	12.3	1,000
5	XARP-05V-WGT4	10.0	14.8	1,000
6	XARP-06V-WGT4	12.5	17.3	1,000
7	XARP-07V-WGT4	15.0	19.8	1,000
8	XARP-08V-WGT4	17.5	22.3	1,000
9	XARP-09V-WGT4	20.0	24.8	1,000
10	XARP-10V-WGT4	22.5	27.3	1,000
11	XARP-11V-WGT4	25.0	29.8	1,000
12	XARP-12V-WGT4	27.5	32.3	1,000
13	XARP-13V-WGT4	30.0	34.8	1,000
14	XARP-14V-WGT4	32.5	37.3	1,000
15	XARP-15V-WGT4	35.0	39.8	1,000

Material and Surface finish, etc.

PA, natural (white)

Note: For flame retardant grade of resin material used, please refer to the "List of Registered Overseas Standards" on our website (listed in the "Technical Documents" column on the Product Information page).

Retainer



No. of circuits	Model No.	Dimensions (mm)		Q'ty/bag
		A	B	
2	XMS-02V	2.5	4.4	1,000
3	XMS-03V	5.0	6.9	1,000
4	XMS-04V	7.5	9.4	1,000
5	XMS-05V	10.0	11.9	1,000
6	XMS-06V	12.5	14.4	1,000
7	XMS-07V	15.0	16.9	1,000
8	XMS-08V	17.5	19.4	1,000
9	XMS-09V	20.0	21.9	1,000
10	XMS-10V	22.5	24.4	1,000
11	XMS-11V	25.0	26.9	1,000
12	XMS-12V	27.5	29.4	1,000
13	XMS-13V	30.0	31.9	1,000
14	XMS-14V	32.5	34.4	1,000
15	XMS-15V	35.0	36.9	1,000

Material and Surface finish, etc.

PA (GF), natural (ivory)

Note: For flame retardant grade of resin material used, please refer to the "List of Registered Overseas Standards" on our website (listed in the "Technical Documents" column on the Product Information page).