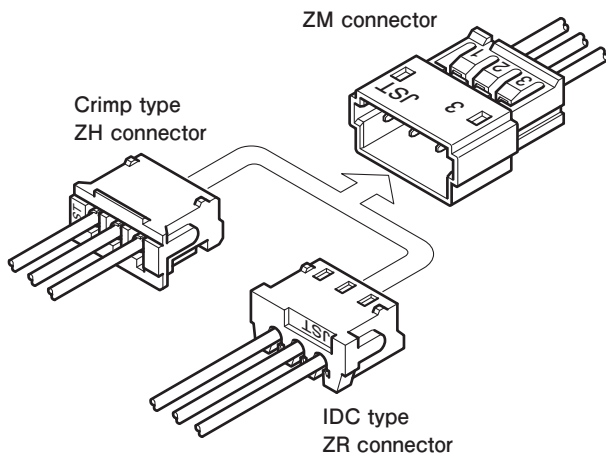




ZM CONNECTOR

1.5 mm pitch/Wire-to-Wire connectors/Crimp style and Mating style



This 1.5 mm pitch wire-to-wire connector is a compact, space-saving interconnect that mates with both crimp and IDC sockets. The four-sided box housing structure is resistant to mechanical stress and misalignment which can cause irregular external forces during the insertion and withdrawal process.

- Compact and space-saving with a thickness of 3.6 mm and a length of 9.8 mm (when mated with ZH connector)
- Superior housing lance system geared for smooth contact insertion with an audible click when a secure connection is made.
- Compatible with both crimp and IDC sockets
- A robust four-sided box housing structure that provides resistance against mechanical stress and misalignment.
- Free-hanging

■ Specifications

- Current rating: 0.7 A AC/DC (AWG #28)
- Voltage rating: 50 V AC/DC

Caution: This product complies with the Electrical Appliance and Material Safety Law in Japan.

In addition, a part of the contact is exposed on the lance side of the connector. Therefore please be careful that the exposed part does not come in contact with metal parts of surrounding components when using this connector.

- Temperature range: -25°C to +85°C
(including temperature rise in applying electrical current)

- Contact resistance:
Initial value/ 20 mΩ max.
After environmental tests/ 30 mΩ max.

- Insulation resistance: 500 MΩ min.

- Withstanding voltage:
There shall be no breakdown or flashover while applying 500 VAC for one minute.

- Applicable wire range:
Conductor size/ AWG #30 to AWG #28
Insulation O.D. / ϕ 0.7 mm to ϕ 0.9 mm

- * Please refer to the "Handling Precautions for Terminals and Connectors" on our website (listed in the "Technical Documents" column on the Product Information page) before use.

- * RoHS2 compliance
- * Dimensional unit: mm
- * Contact JST for details.

■ Standards

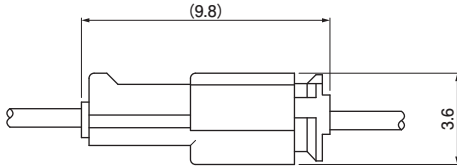
For information on overseas standard registrations, please refer to the "List of Registered Overseas Standards" on our website (listed in the "Technical Documents" column on the Product Information page).

- * Specifications registered to overseas standards may differ from the general specifications listed above.

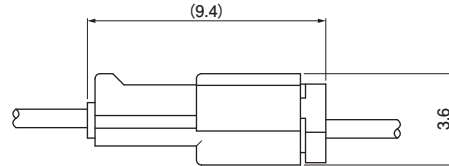
ZM CONNECTOR

Assembly layout

When mated with ZH connector

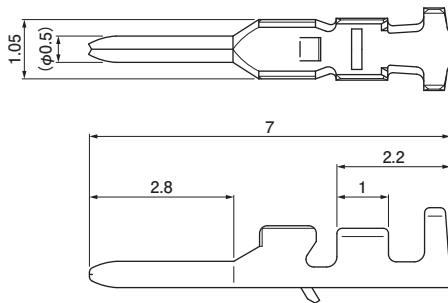


When mated with ZR connector



Plug/ ZM connector

Pin contact



Model No.	Applicable wire range		Q'ty/ reel
	Conductor size AWG (mm ²)	Insulation O.D. (mm)	
SMM-003T-P0.5	#30 to #28 (0.05 to 0.08)	0.7 to 0.9	16,000

Material and Surface finish, etc.

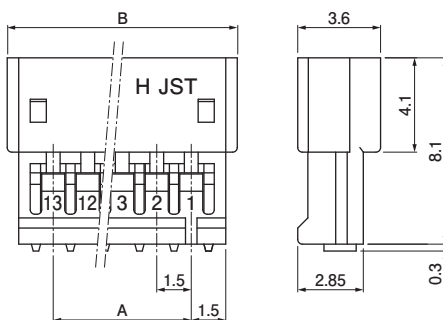
Phosphor bronze, tin-plated

Crimping machine

Contact	Crimping machine	Applicator	Crimp applicator with dies
SMM-003T-P0.5	AP-K2N	MKS-L	APLMK SMM003-05

Note: Contact JST for fully automatic crimping applicator.

Receptacle housing



No. of circuits	Model No.	Dimensions (mm)		Q'ty/bag
		A	B	
2	ZMR-02	1.5	5.5	2,000
3	ZMR-03	3.0	7.0	2,000
9	ZMR-09	12.0	16.0	1,000
13	ZMR-13	18.0	22.0	1,000

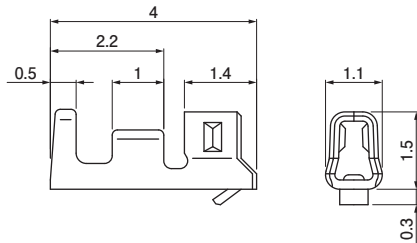
Material and Surface finish, etc.

PA 66 (Glass-filled), natural

Note: For flame retardant grade of resin material used, please refer to the "List of Registered Overseas Standards" on our website (listed in the "Technical Documents" column on the Product Information page).

Socket/ Crimp type · ZH connector

Contact



Model No.	Applicable wire range		Q'ty/ reel
	Conductor size AWG (mm ²)	Insulation O.D. (mm)	
SZH-003T-P0.5	#32 to #28 (0.032 to 0.08)	0.5 to 0.9	16,000

Material and Surface finish, etc.

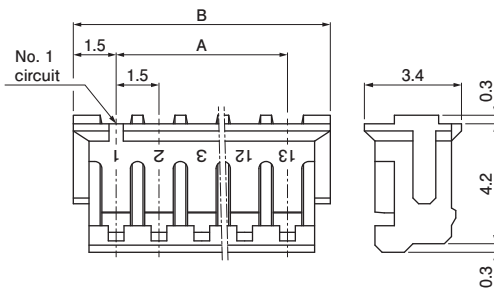
Phosphor bronze, tin-plated

Crimping machine

Contact	Crimping machine	Applicator	Crimp applicator with dies
SZH-003T-P0.5	AP-K2N	MKS-L	APLMK SZH003-05

Note: Contact JST for fully automatic crimping applicator.

Housing



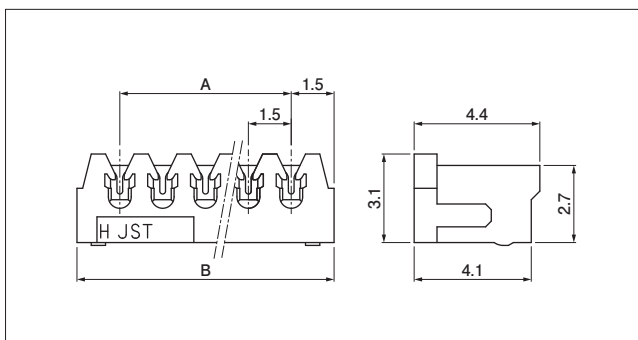
No. of circuits	Model No.	Dimensions (mm)		Q'ty/box
		A	B	
2	ZHR-2	1.5	4.5	1,000
3	ZHR-3	3.0	6.0	1,000
9	ZHR-9	12.0	15.0	1,000
13	ZHR-13	18.0	21.0	1,000

Material and Surface finish, etc.

PA 66, natural (white)

Note: For flame retardant grade of resin material used, please refer to the "List of Registered Overseas Standards" on our website (listed in the "Technical Documents" column on the Product Information page).

Socket/ IDC type · ZR connector



No. of circuits	Model No.		Dimensions (mm)		Q'ty/bag
	AWG #30 applicable product	AWG #28 applicable product	A	B	
2	02ZR-3H-P	02ZR-8M-P	1.5	4.5	2,000
3	03ZR-3H-P	03ZR-8M-P	3.0	6.0	2,000
9	09ZR-3H-P	09ZR-8M-P	12.0	15.0	2,000
13	13ZR-3H-P	13ZR-8M-P	18.0	21.0	2,000

Material and Surface finish, etc.

Contact: Phosphor bronze, tin-plated

Housing: PA 66 (Glass-filled)

Natural (gray)/ AWG #30 applicable product

Green/ AWG #28 applicable product

Note: For flame retardant grade of resin material used, please refer to the "List of Registered Overseas Standards" on our website (listed in the "Technical Documents" column on the Product Information page).