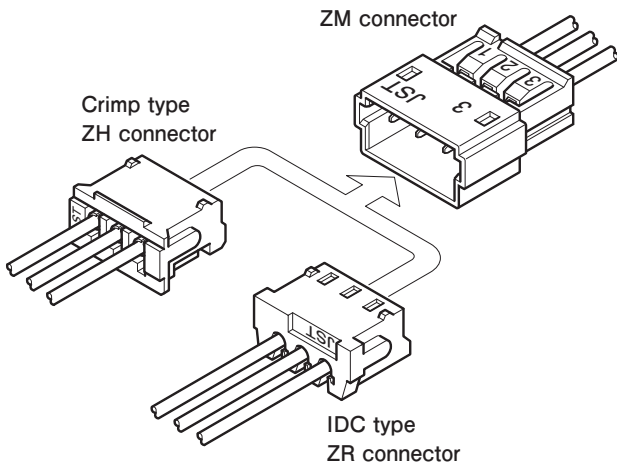




# ZM CONNECTOR

1.5 mm pitch/ Wire-to-wire connector



This is a space-saving 1.5 mm pitch wire-to-wire connector that mates with both crimp and IDC type sockets.

The fully shrouded structure is resistant to irregular external forces such as prying during insertion and withdrawal.

- Space saving
- Housing lance system facilitate insertion of contacts and has excellent click feeling
- Both crimp and IDC type sockets can be used
- Shrouded structure withstanding "pry"

## Standards

Ⓡ : Recognized E 60389

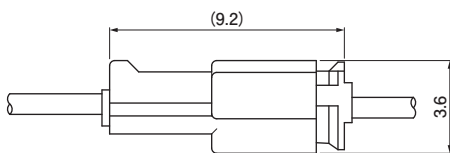
Ⓢ : Certified LR 20812

## Specifications

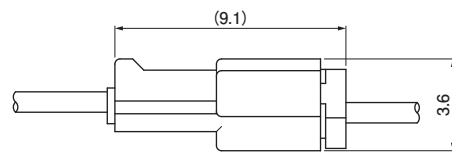
- Current rating: 0.7 A AC/DC (AWG #28)
  - Voltage rating: 50 V AC/DC
    - Note1) It does not comply with the Electrical Appliance and Material Safety Law. (Applicable only in Japan)
    - Note2) Since a part of the contact is exposed on the housing lance side of this connector, be careful that the exposed part does not touch metal parts of other components when using this connector.
  - Temperature range: -25°C to +85°C (including temperature rise in applying electrical current)
  - Contact resistance:
    - Initial value/ 20 mΩ max.
    - After environmental tests/ 30 mΩ max.
  - Insulation resistance: 500 MΩ min.
  - Withstanding voltage:
    - There shall be no breakdown or flashover while applying 500 VAC for one minute.
  - Applicable wire range: Conductor size/ AWG #30 to #28
- \* In using the products, refer to "Handling Precautions for Terminals and Connectors" described on our website (Technical documents of Product information page).
- \* RoHS2 compliance
- \* Dimensional unit: mm
- \* Contact JST for details.

## Assembly layout

### When mating with ZH

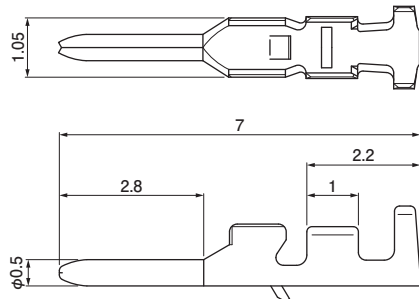


### When mating with ZR



## Plug/ ZM connector

### Pin contact



| Model No.                   | Applicable wire range                 |                      | Q'ty/<br>reel |
|-----------------------------|---------------------------------------|----------------------|---------------|
|                             | Conductor size AWG (mm <sup>2</sup> ) | Insulation O.D. (mm) |               |
| SMM-003T-P0.5               | #30 to #28 (0.05 to 0.08)             | 0.7 to 0.9           | 16,000        |
| Material and Finish         |                                       |                      |               |
| Phosphor bronze, tin-plated |                                       |                      |               |

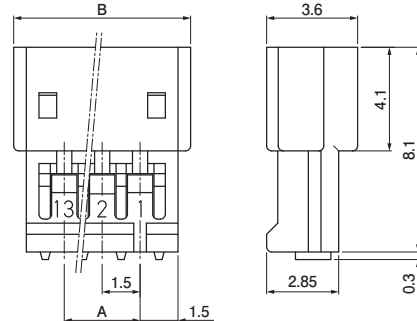
RoHS2 compliance

### Crimping machine

| Contact       | Crimping machine | Applicator | Crimp applicator with dies |
|---------------|------------------|------------|----------------------------|
| SMM-003T-P0.5 | AP-K2N           | MKS-L      | APLMK SMM003-05            |

Note: Contact JST for fully automatic crimping applicator.

### Receptacle housing



| No. of circuits | Model No. | Dimensions (mm) |      | Q'ty/bag |
|-----------------|-----------|-----------------|------|----------|
|                 |           | A               | B    |          |
| 2               | ZMR-02    | 1.5             | 5.5  | 2,000    |
| 3               | ZMR-03    | 3.0             | 7.0  | 2,000    |
| 9               | ZMR-09    | 12.0            | 16.0 | 1,000    |
| 13              | ZMR-13    | 18.0            | 22.0 | 1,000    |

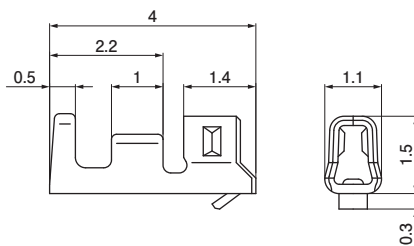
Material and Finish

PA 66 (Glass-filled), UL94V-0

RoHS2 compliance

## Socket/ Crimp type, ZH connector

### Contact



| Model No.                   | Applicable wire range                 |                      | Q'ty/<br>reel |
|-----------------------------|---------------------------------------|----------------------|---------------|
|                             | Conductor size AWG (mm <sup>2</sup> ) | Insulation O.D. (mm) |               |
| SZH-003T-P0.5               | #32 to #28 (0.032 to 0.08)            | 0.5 to 0.9           | 16,000        |
| Material and Finish         |                                       |                      |               |
| Phosphor bronze, tin-plated |                                       |                      |               |

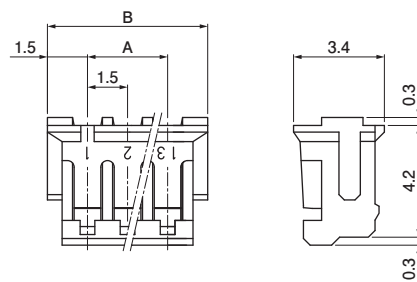
RoHS2 compliance

### Crimping machine

| Contact       | Crimping machine | Applicator | Crimp applicator with dies |
|---------------|------------------|------------|----------------------------|
| SZH-003T-P0.5 | AP-K2N           | MKS-L      | APLMK SZH003-05            |

Note: Contact JST for fully automatic crimping applicator.

### Housing



| No. of circuits | Model No. | Dimensions (mm) |      | Q'ty/bag |
|-----------------|-----------|-----------------|------|----------|
|                 |           | A               | B    |          |
| 2               | ZHR-2     | 1.5             | 4.5  | 1,000    |
| 3               | ZHR-3     | 3.0             | 6.0  | 1,000    |
| 9               | ZHR-9     | 12.0            | 15.0 | 1,000    |
| 13              | ZHR-13    | 18.0            | 21.0 | 1,000    |

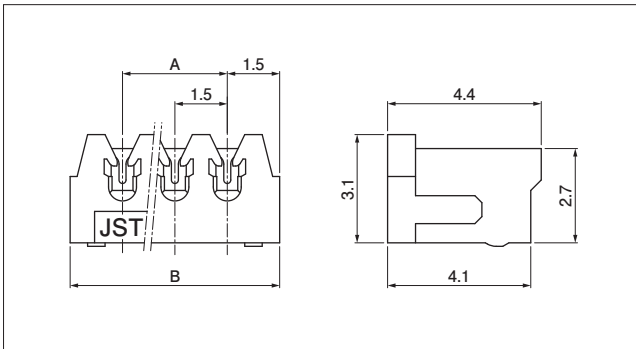
Material and Finish

PA 66, UL94V-0

RoHS2 compliance

# ZM CONNECTOR

## Socket/ IDC type, ZR connector



| No. of circuits | Model No.   |             | Dimensions (mm) |      | Q'ty/bag |
|-----------------|-------------|-------------|-----------------|------|----------|
|                 | For AWG #30 | For AWG #28 | A               | B    |          |
| 2               | 02ZR-3H-P   | 02ZR-8M-P   | 1.5             | 4.5  | 2,000    |
| 3               | 03ZR-3H-P   | 03ZR-8M-P   | 3.0             | 6.0  | 2,000    |
| 9               | 09ZR-3H-P   | 09ZR-8M-P   | 12.0            | 15.0 | 2,000    |
| 13              | 13ZR-3H-P   | 13ZR-8M-P   | 18.0            | 21.0 | 2,000    |

### Material and Finish

Contact: Phosphor bronze, tin-plated  
Housing: PA 66 (Glass-filled), UL94V-0

RoHS2 compliance